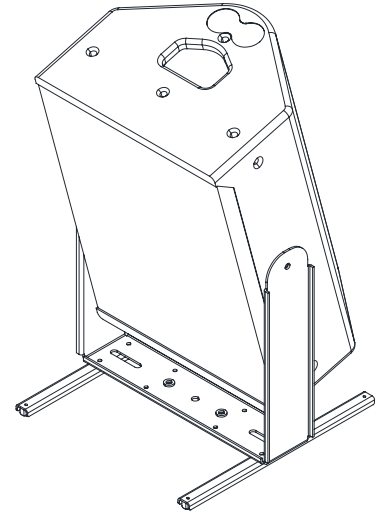


## VTX-F12-UB | Universal Bracket

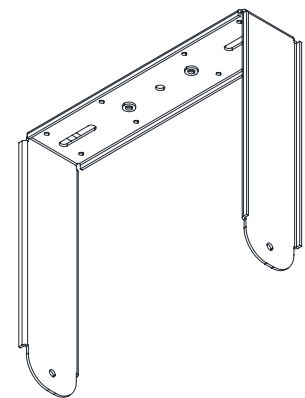
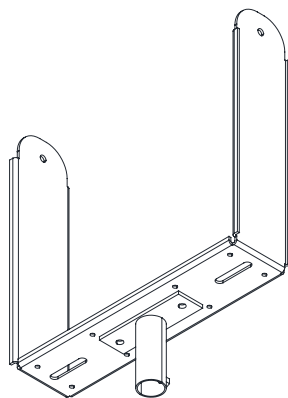
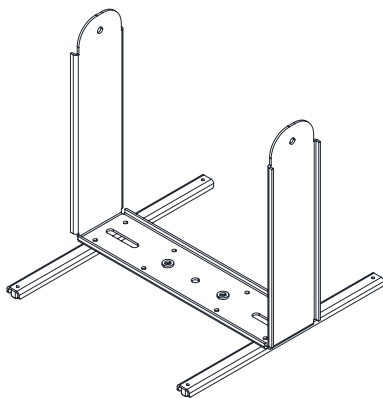
### Features:

- Detachable pole mount adapter included
- Ground-stacking stabilizer legs included
- Truss mounting support with optional Martin Professional Lighting Half-Coupler Clamp
- Continuous tilt angle adjustment
- 8 mount points for permanent installation
- Central M12 hole for drop-down extension rod mounting



### Description:

The VTX-F12-UB is a universal mounting bracket that attaches to the M10 mount points on the sides of the VTX F12 cabinet. The VTX-F12-UB allows for ground stacking, pole mounting, truss mounting or fixed installation of a single F12 enclosure. The mount bracket provides continuous tilt angle adjustment and two thumbscrews and friction washers are included to secure the F12 enclosure at the desired down or up tilt angle.



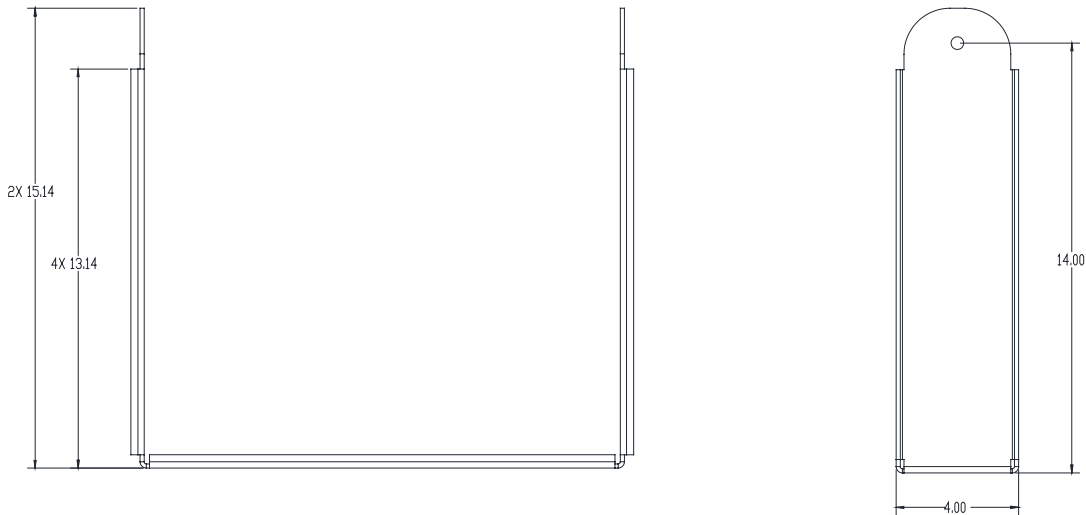
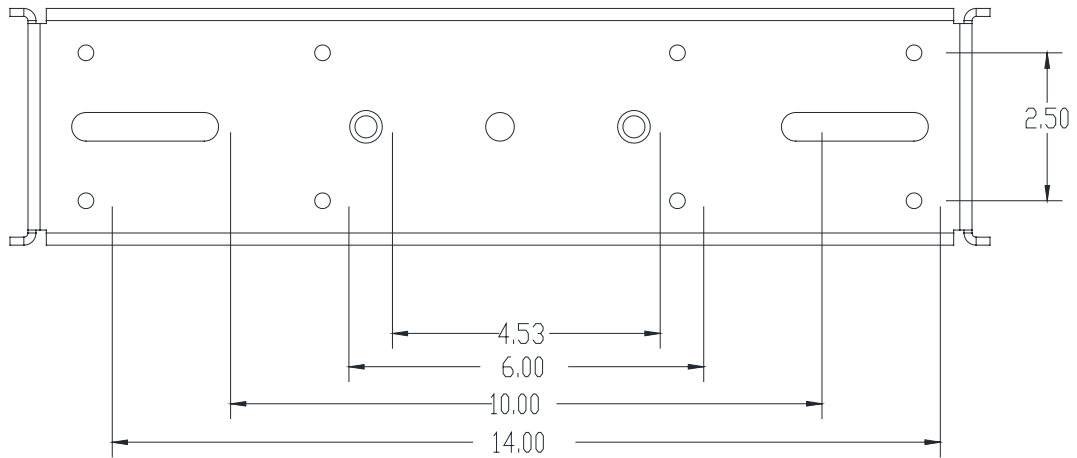
### Included:

- 1 x Universal Bracket for VTX F12
- 2 x M10 Thumbscrews and Friction Washers
- 1 x Pole Mount Adapter and Mount Hardware
- 2 x Ground Support Legs with Mount Hardware

### Additional Accessories:

- Martin Professional Clamp:  
P/N: 91602005 (2 clamps recommended per F12)
- JBL Subwoofer Extension Rods:  
P/N: JBL-SS5-BK, JBLPOLE-GA, JBLPOLE-MA
- Speaker Stands:  
P/N: JBLTRIPOD-GA, JBLTRIPOD-MA

**Dimensions:**



**Specifications:**

Specifications:	
Material	Steel
Weight	4 Kg, 9 lbs
Finish	Black Powdercoat