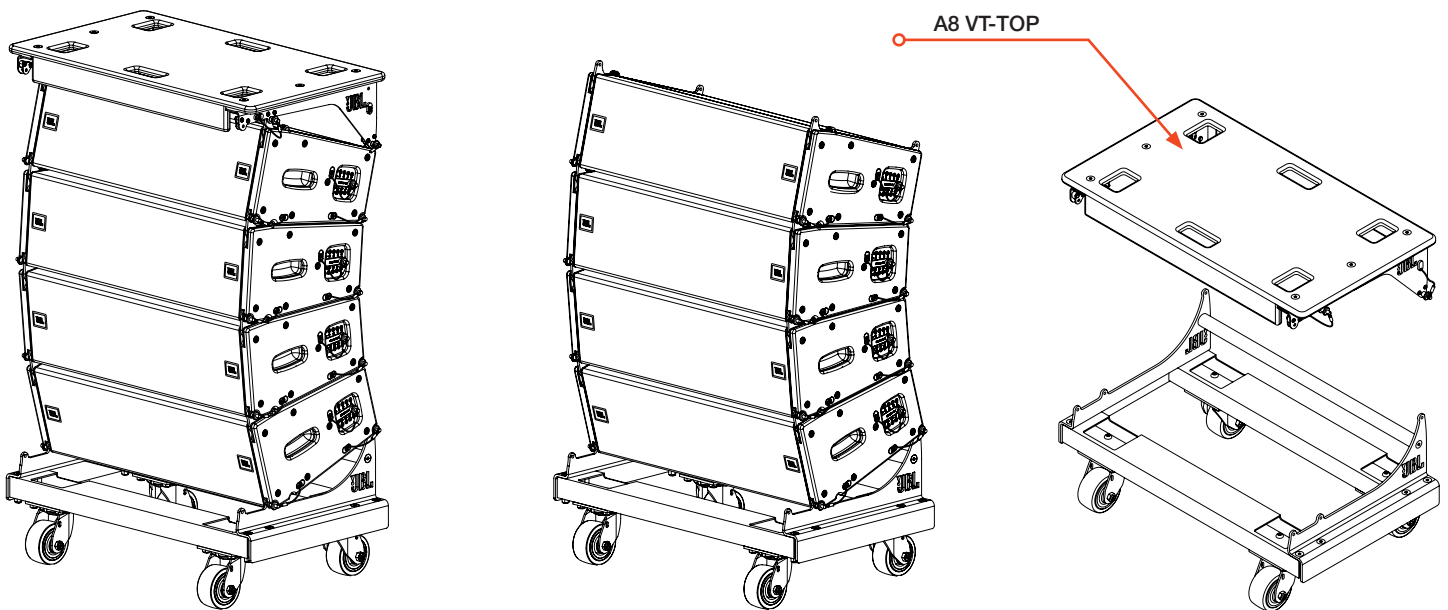


HIGHLIGHTS

- Vertical transport cart for (4) VTX A8 enclosures
- Truck-friendly dimensions
- Includes a hard top (VT-TOP)
- Built-in stacking features for easy storage
- Lightweight design
- Heavy-duty casters

DESCRIPTION

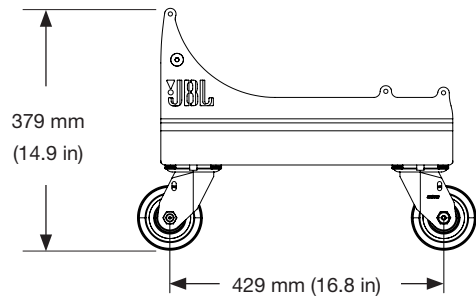
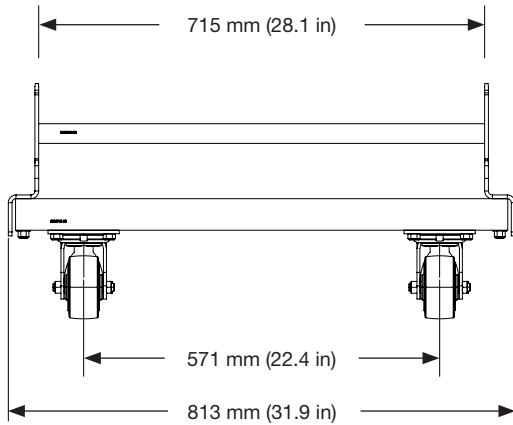
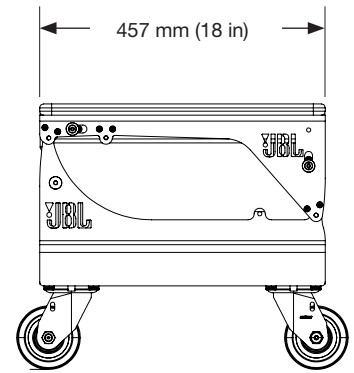
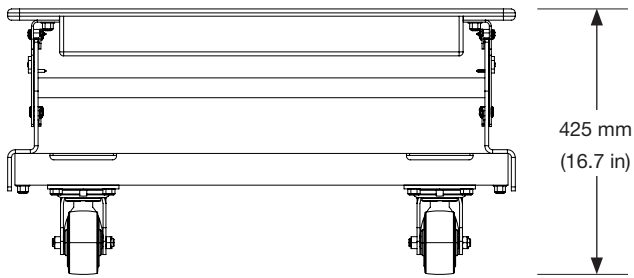
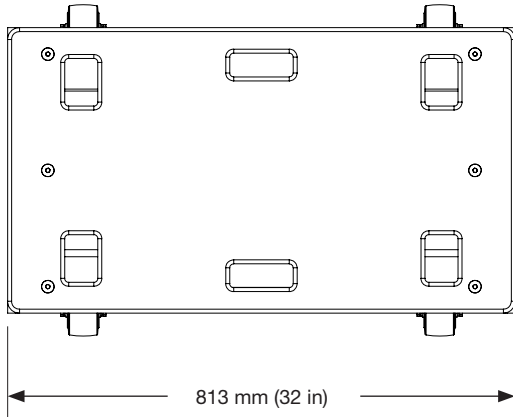
The VTX A8 VT vertical transporter is a robust, lightweight cart solution for vertically transporting up to four VTX A8 enclosures. The VTX A8 VT is constructed out of aluminum and steel parts and measures 32-inch (813 mm) wide and 18-inch (457 mm) deep. The VTX A8 VT comes standard with a hard-top (A8 VT-TOP) attachment that connects to the topmost cabinet of a stack to create a robust and defined footprint that stabilizes the carts during transportation and allows other gear to be placed above for maximum truck-pack efficiency. The VTX A8 VT CVR, a reinforced protective cover, is available and supplied separately. For more information about the VTX A8 VT and use cases, refer to the VTX A8 Rigging Manual.



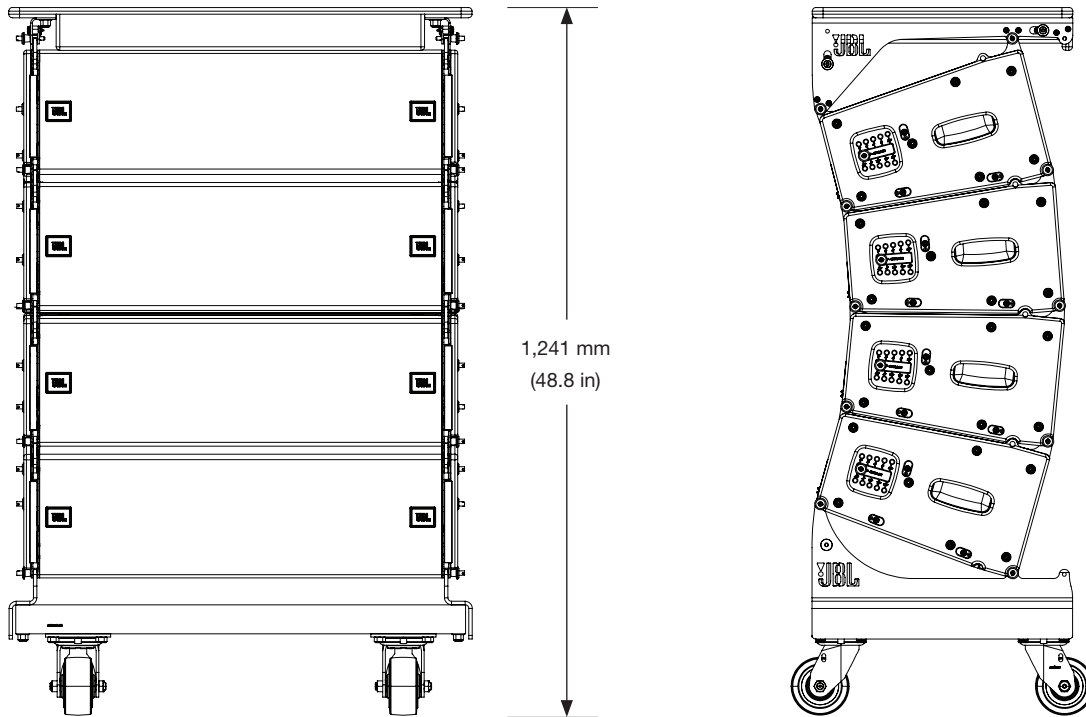
INCLUDED

- (1) VTX A8 VT
- (1) A8 VT-TOP

DIMENSIONS



DIMENSIONS



TECHNICAL SPECIFICATIONS

Construction: High-grade steel with anti-corrosion coating, aluminum, 18 mm 11-ply Finnish birch plywood

Finish: Black powder coat, black DuraFlex™

Mechanical Limits

Maximum: (4) VTX A8
Safe Limit: (4) VTX A8

Dimensions (H x W x D)¹: 425 mm x 813 mm x 457 mm
 (16.7 in x 32 in x 18 in)

Net Weight

Total²: 29.1 kg (64 lbs)
VTX V8 VT: 25.5 kg (45 lbs)
VT-TOP: 8.6 kg (19 lbs)
Loaded: 147.1 kg (324.3 lbs)

Footnotes:

- 1: Refer to the 2D and 3D Customer Drawings for more detailed dimensions
- 2: Weight does not include the VTX A8 VT CVR soft cover

JBL continually engages in research related to product improvement. Some materials, production methods and design refinements are introduced into existing products without notice as a routine expression of that philosophy. For this reason, any current JBL product may differ in some respect from its published description, but will always equal or exceed the original design specifications unless otherwise stated.