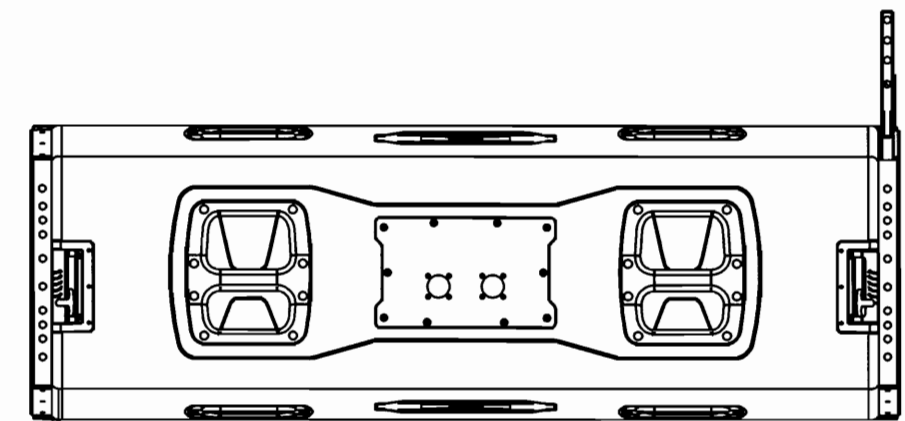
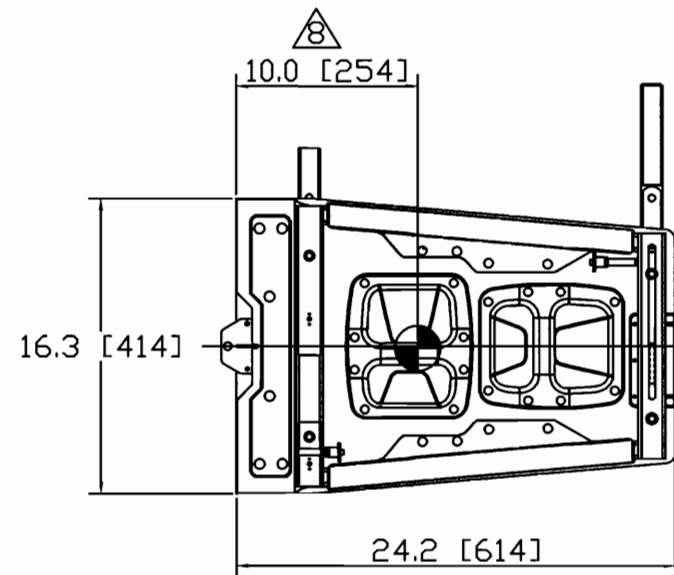
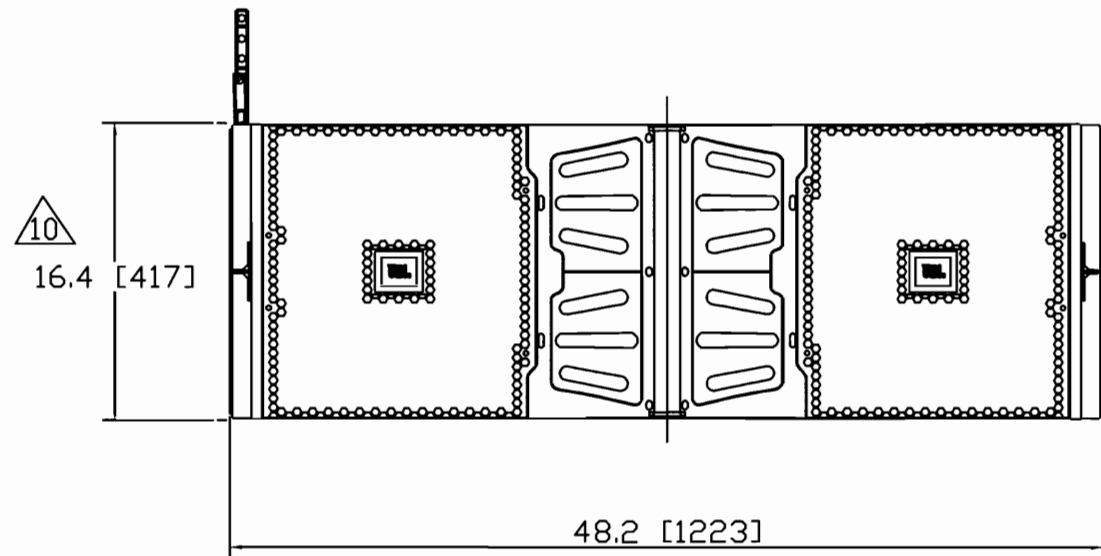
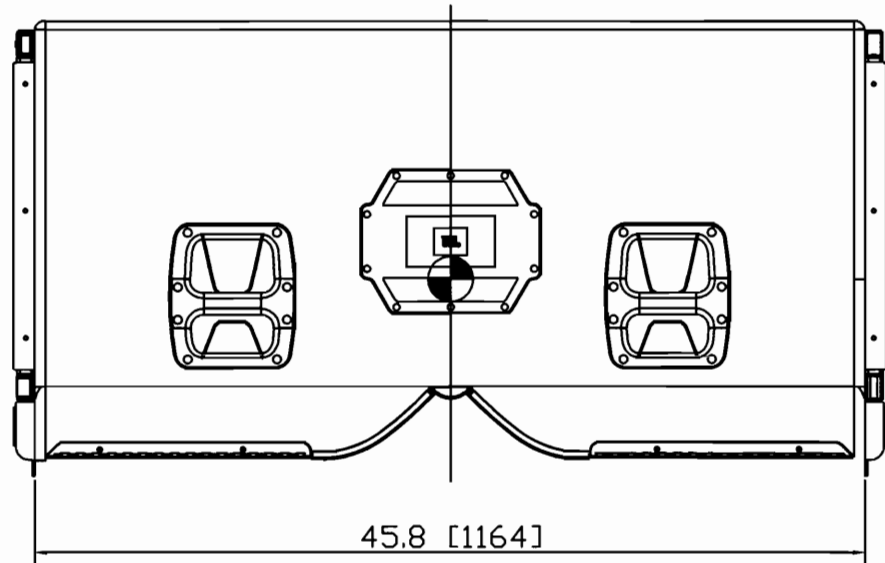


8 7 6 5 4 3 2 1

THESE DRAWINGS AND SPECIFICATIONS ARE THE PROPERTY OF JBL INCORPORATED THEY ARE ISSUED IN STRICT CONFIDENCE AND SHALL NOT BE REPRODUCED, COPIED, OR USED AS THE BASIS FOR MANUFACTURING OR SALE OF APPARATUS WITHOUT WRITTEN PERMISSION.

ALL MATERIAL SPECIFIED ON THIS DRAWING SHALL COMPLY WITH EUROPEAN DIRECTIVE 2002/95/EC [RoHS]

REVISIONS					
CHG	LTR	DESCRIPTION	DRFT	CHK	DATE
01398	A	RELEASE FOR MARKETING	YT		3/27/02



- COMPONENTS: LF - 2X 2267H, MF - 4X 2169H, HF - 3 X D2430K
- INPUT/OUTPUT CONNECTIONS: 2X NEUTRIK NL8
- GRILLE: 14GA PERFORATED CRS. POWDERCOATED BLACK CLOTH BACKING.
- MATERIAL: 18MM BIRCH PLYWOOD AND PLYMAX.
- FINISH: BLACK DURAFLEX.
- SUSPENSION SYSTEM: JBL PROPRIETARY HINGE-BARS, BALL LOCK PINS AND SUSPENSION FRAME.
- WEIGHT: 82.6 KG (182 LBS).
- △ CENTER OF GRAVITY (CG).
- △ DIMENSIONS ARE IN MM (INCHES).
- △ DIMENSION SHOWN DISTANCE BETWEEN CENTER TO CENTER OF HINGES.

NOTES: (UNLESS OTHERWISE SPECIFIED)

UNCONTROLLED COPY

JBL Professional A Harman International Company Northridge, California 91329, USA			
TITLE CUSTOMER DWG, VTX-V25			
SIZE D	DRAWING NO. 1000055098	REV A	
SCALE 1:4	SHEET 1 OF 1		