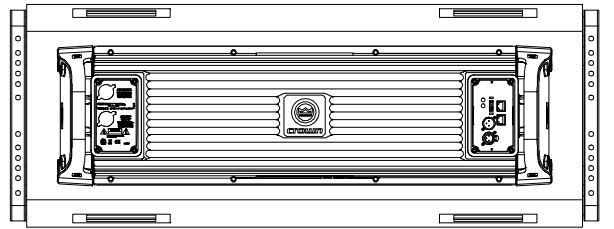
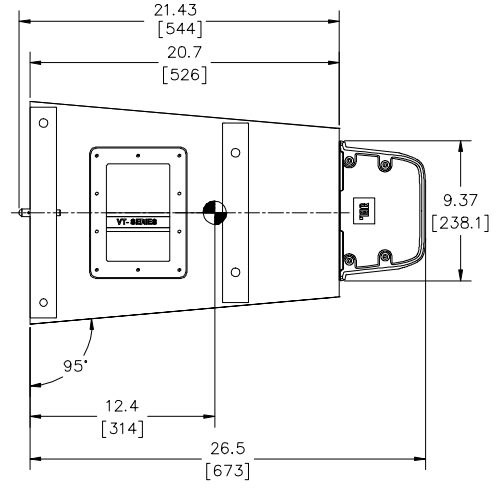
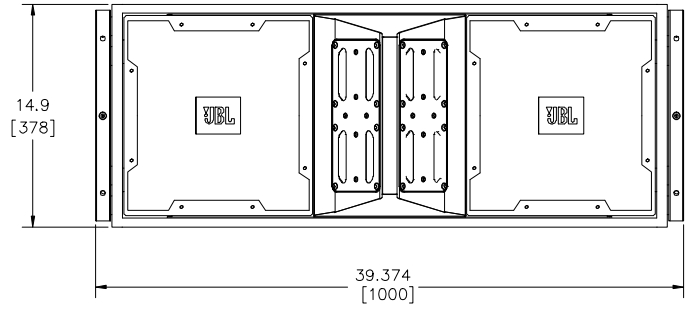
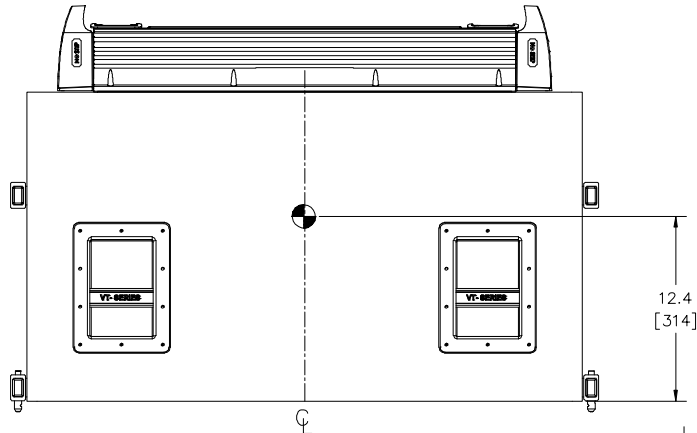


8 7 6 5 4 3 2 1

THESE DRAWINGS AND SPECIFICATIONS ARE THE PROPERTY OF JBL INCORPORATED THEY ARE ISSUED IN STRICT CONFIDENCE AND SHALL NOT BE REPRODUCED, COPIED, OR USED AS THE BASIS FOR MANUFACTURING OR SALE OF APPARATUS WITHOUT WRITTEN PERMISSION.

ALL MATERIAL SPECIFIED ON THIS DRAWING SHALL COMPLY WITH EUROPEAN DIRECTIVE 2002/95/EC. **RoHS**

REVISIONS						
CHG	LTR	DESCRIPTION	DRFT	CHK	DATE	APPR
31871	A	RELEASE FOR MARKETING	YT		4/12/06	BW
36232	B	REV VIEW	YT			



- COMPONENTS: LF - 2X 2262H; MF - 4X 2106H; HF - 2X 2431H
- INPUT/OUTPUT CONNECTORS: MALE-XLR / FEMALE-XLR (ELECTRICALLY IN PARALLEL)
- GRILLE 16GA PERFORATED CRS, POWDERCOATED BLACK, BLACK FOAM BACKING.
- MATERIALS: 15MM LITE-PLY, 15MM BIRCH PLYWOOD AND 18MM BIRCH PLYWOOD.
- FINISH: BLACK DURAFLEX.
- SUSPENSION SYSTEM: JBL PROPRIETARY HINGE-BARS, BALL LOCK PINS AND RIGGING FRAMES.
- WEIGHT: 68KG ( 150 LBS)
- CENTER OF GRAVITY (CG)

NOTES: (UNLESS OTHERWISE SPECIFIED)

TOLERANCES  
(UNLESS OTHERWISE SPECIFIED)  
 XXXX ± 0.031 INCH  
 XXX ± 0.063 INCH  
 XX ± 0.125 INCH  
 ANGULAR ± 30°  
 • DIMENSIONS ARE INCHES (MM)  
 • ALL DIMENSIONS ARE FINISHED DIMENSIONS  
 • DO NOT SCALE DRAWING

<b>JBL</b>	JBL Professional A Harman International Company Northridge, California 91329, U.S.A.
TITLE CUSTOMER DWG - VT4888DP	
REV D	DRAWING NO. 362946
REV B	
SCALE: 1:4	
SHEET 1 of 1	