

# Technical Manual



# JBL VLA601H

## SPECIFICATIONS

### ACOUSTIC & ELECTRICAL SPECIFICATIONS:

- Frequency Response: 58 Hz – 12 kHz ( $\pm 3$  dB)
- Frequency Range: 42 Hz – 15 kHz ( $-10$  dB)
- Horizontal Coverage: 60°
- Vertical Coverage: Varies with array size and configuration
- Directivity Factor (Q): 30
- Directivity Index (DI): 15 dB
- System Power Ratings (AES): LF: 1600 W (6400 W Peak, 2 hrs. 1200 W (4800 W peak), 100 hrs.  
MF: 1400 W (5600 W peak), 100 hrs.  
HF: 450 W (1800 W peak), 2 hrs.
- Max. Peak Output: LF: 132 dB SPL continuous average  
MF: 141 dB SPL continuous average  
HF: 144 dB SPL continuous average

### TRANSDUCER SECTION:

- Cabinet: (Not For Sale)
- Grille: 361798-001
- Low Frequency Driver: 2 x 2226HPL 380 mm (15 in) driver with 100 mm (4 in) voice coil
- DC Resistance: 5 ohms  $\pm 10\%$
- Sensitivity (1 w @ 1 m): 100 dB SPL

### TRANSDUCER SECTION CONT'D:

- Mid Frequency Driver: 4 x 2169H 200 mm (8 in) cone midrange compression driver with dual 75 mm (3 in) voice coil; 339111-001X
- DC Resistance: 5 ohms  $\pm 10\%$
- Sensitivity (1 w @ 1 m): 110 dB SPL
- High Frequency Driver: 6 x 2431H 38 mm (1.5 in) exit compression driver with 75 mm (3 in) voice coil; 339894-001X
- DC Resistance: 4 ohms  $\pm 10\%$
- Sensitivity (1 w @ 1 m): 117 dB SPL

### AURAL SWEEP TEST SPECIFICATIONS:

- A. L.F. Aural Sweep Test: 10V Input, 10 Hz to 300 Hz
- B. M.F. Aural Sweep Test: 7V Input, 100 Hz to 3 kHz
- C. H.F. Aural Sweep Test: 2V Input, 1 kHz to 20 kHz

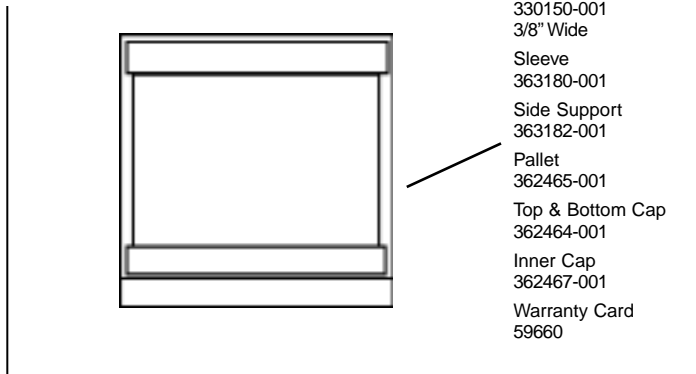
### PHYSICAL SPECIFICATIONS:

- Enclosure Dimensions: 533 mm x 1351 mm x 772 mm D (21.0 in. x 53.2 in. x 30.4 in. D)
- Net Weight: 116 kg (256 lb)

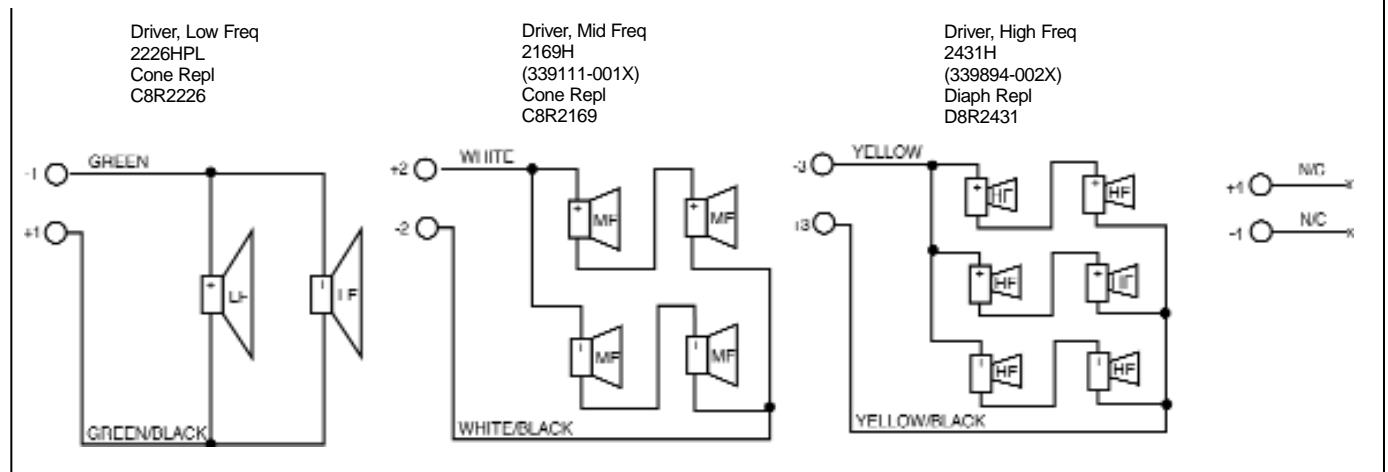
### WARRANTY INFORMATION:

- Refer to Warranty Statement packed with each product.

## PACKAGE



## WIRING DIAGRAM



JBL VLA601H REV1

# JBL VLA601H

## COMPONENT EXPLODED VIEW

- Gasket (4)  
339403-001  
2250HLP  
Phasing Plug, AE
- Screen (4)  
339484-001  
Midrange Phase Plug  
Phasing Plug (4)  
338471-003  
CMCD-81 (with 4 inserts)
- Screw (16)  
804-41110-20  
10-32 x 1 1/4  
PAN,PH,BLK ZINC,LCS
- Phasing Plug (4)  
350307-001  
2250H Gasket 8"

- Nut (16)  
833-30110-00  
10-32  
KEPS, BLK ZINC,  
LCS, RIGHT
- Washer (16)  
843-00110-06  
#10 x 0.06  
FLT PL, REG  
BLK ZINC, CS

- Dual Throat (2)  
361746-001
- Bolt (8)  
854-00001-20  
1/4-20 x 1 1/4  
HEX, CLR ZINC,  
MCAS
- Washer (8)  
844-03110-06  
Split Lock, 1/4 BLK
- Gasket (6)  
362245-001  
Mid Dual Throat, Side
- Washer (8)  
844-01110-07  
1/4, SAE, REG, BLK  
ZINC, LCS
- Gasket  
362244-001  
Mid Throat, Center

- High Freq Driver (6)  
2431H  
(339894-002X)  
Diaph Repl  
D8R2431
- Wire Jumper (3)  
338512-001
- Screw (24)  
705-90002-14  
#1/4-20 x 7/8  
SKT SET, CUP  
POINT
- NUT (24)  
834-30010-00  
1/4-20  
KEPS, BLK ZINC,  
LCS, RIGHT

- HF Throat (3)  
361945-001
- HF Throat Spacer  
Gasket (4)  
361123-001
- Screw (12)  
804-11110-20  
10-32 x 1 1/4  
PAN,PH,BLK ZINC,  
LCS
- Throat Mount Panel 1  
362153-001
- Washer (4)  
844-03110-06  
Split Lock, 1/4 BLK
- T-Nut (6)  
61861  
10-32 x 7/16  
Step Barrel
- Washer (4)  
844-01110-07  
1/4, SAE, REG, BLK  
ZINC,LCS

- Mid Freq Driver (4)  
2169H  
(339111-001X)  
Cone Repl  
C8R2169
- Screw (16)  
804-41110-12  
10-32 x 3/4  
PAN, PH, BLK ZINC,  
LCS
- Wire Assy  
361113-001  
VLA-X01 MF/HF
- Wire Assy (2)  
361114-001  
VLA-X01 MF Jumper

- Low Freq. Driver (2)  
2226HPL  
Cone Repl  
C8R2226
- Low Freq. Wire Assy  
353210-001
- Gasket, Rear 15" (2)  
360-70002-01
- Screw (16)  
874-33114-16  
10-32 x 1  
SCKT, CAP, HEX,  
BLK ZINC

- Gasket  
362470-001  
Rear Panel

- Screw (6)  
882-41110-10  
6 x 5/8  
PAN, PH, PB,  
BLK ZINC, LCS
- Input Plate NL8  
339335-001

- Screw (10)  
804-41110-20  
10-32 x 1 1/4  
PAN,PH,BLK ZINC,  
LCS

- Label  
361896-001

- Underlay, Label  
363186-004

- Bolt (16)  
352051-001  
M10 x 25mm HEX Blk

- Gasket, Load Plate (2)  
361893-001
- Woofer, Load Plate (2)  
361731-001
- Screw (8)  
806-41010-32  
1/4-20 x 2  
PAN, PH, BLK ZINC, LCS

- Gasket  
361800-001  
HF Horn

- Grille  
361798-001

- Screw (24)  
882-51110-12  
6 x 3/4  
OV, PH, PTCL,  
BLK ZINC, LCS

- Throat Mount Panel 2  
362154-001
- Bolt (4)  
854-00001-20  
1/4-20 x 1 1/4  
HEX,CLR ZINC,MCAS
- Washer (4)  
844-03110-06  
Split Lock, 1/4, BLK
- T-Nut (6)  
61861  
10/32 x 7/16  
Step Barrel
- Washer (4)  
844-01110-07  
1/4 SAE, REG, BLK  
ZINC,LCS

- Horn  
361881-001

- Screw (12)  
804-41110-20  
10-32 x 1 1/4  
PAN,PH, BLK ZINC,  
LCS

- Gasket (2)  
362248-001  
HF Horn
- Gasket (2)  
362246-001  
HF Sub Baffle, Top
- Gasket (2)  
362247-001  
HF Sub Baffle, Side