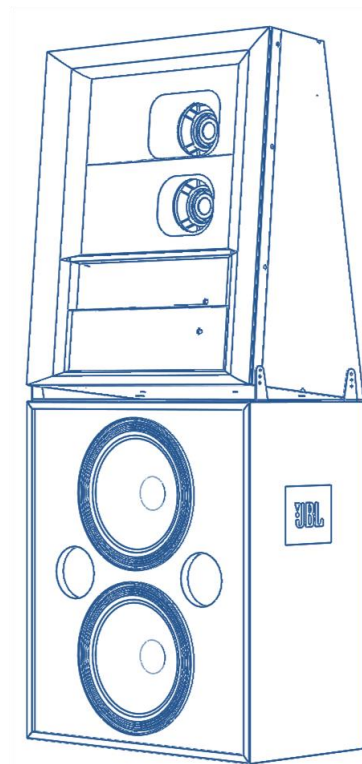


Installation guidelines

Samsung Onyx cinema Side speaker's bracket installation JBL 3733 / JBL 4739

October 19 2018
Revision A / preliminary



1. Introduction

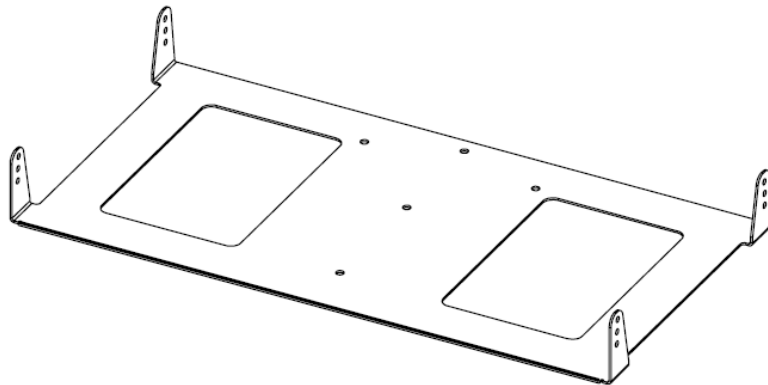
1.1. Purpose

This document will provide guidelines on how to use and install the 3733-BRK brackets.

1.2. Description

The bracket is meant to attach the JBL 3733 on top of the JBL 4739 with defined tilt angles. The following equipment is needed:

- 1 x JBL 3733
- 1 x JBL 4739
- 1 x JBL 3733 BRK bracket



- 4 x M6 screws with matching **lock** washers and 4 x M6 T-nuts (Need to be bought separately, not currently provided with the bracket)



- A powerdrill, a hammer, a ruller and a driver with a set of bits will be needed.

1.3. Angle choice

The side Left and Right speakers will be placed on the sides, at 2/3 of the screen from its base. Depending of the rake of the theatre, a tilt angle is necessary to optimize the vertical coverage within the audience.

The bracket enables the JBL M/HF 3733 speaker to be tilted forwards or backwards, with the choice of the following angles, -5°, -2.5°, 0°, 2.5°, and 5°. The table bellow gives the hole position to set the desired angle:

JBL 3733 tilt angle	Front hole position	Rear hole position
-5° (backwards)	Top	Bottom
-2.5° (backwards)	Middle	Bottom
0° flat	Bottom	Bottom
2.5° (forwards)	Bottom	Middle
5° (forwards)	Bottom	Top

The required angle should be calculated based on the geometry of the theatre using a 3D acoustic modeling software (EASE).

2. Installation

2.1. JBL 3733 modifications

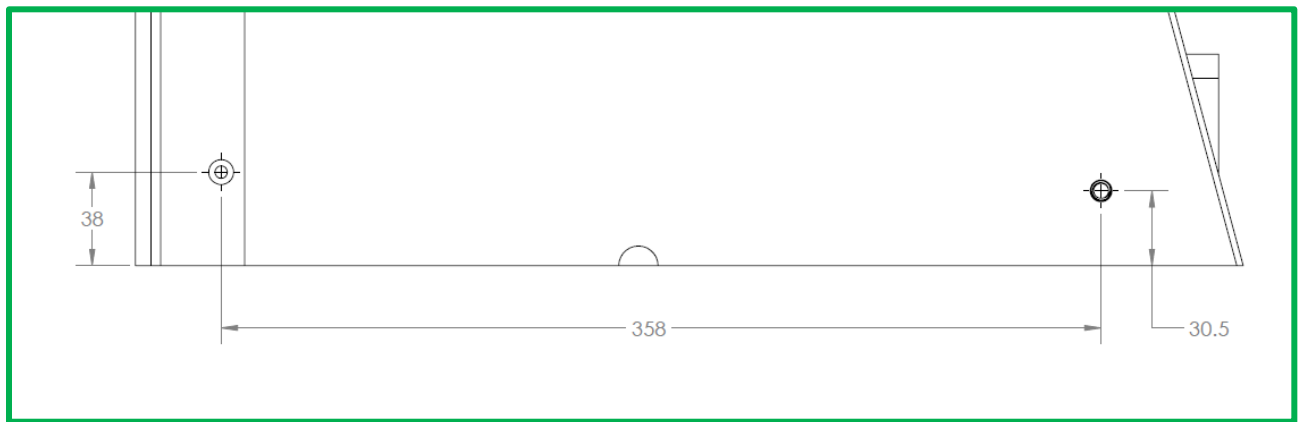
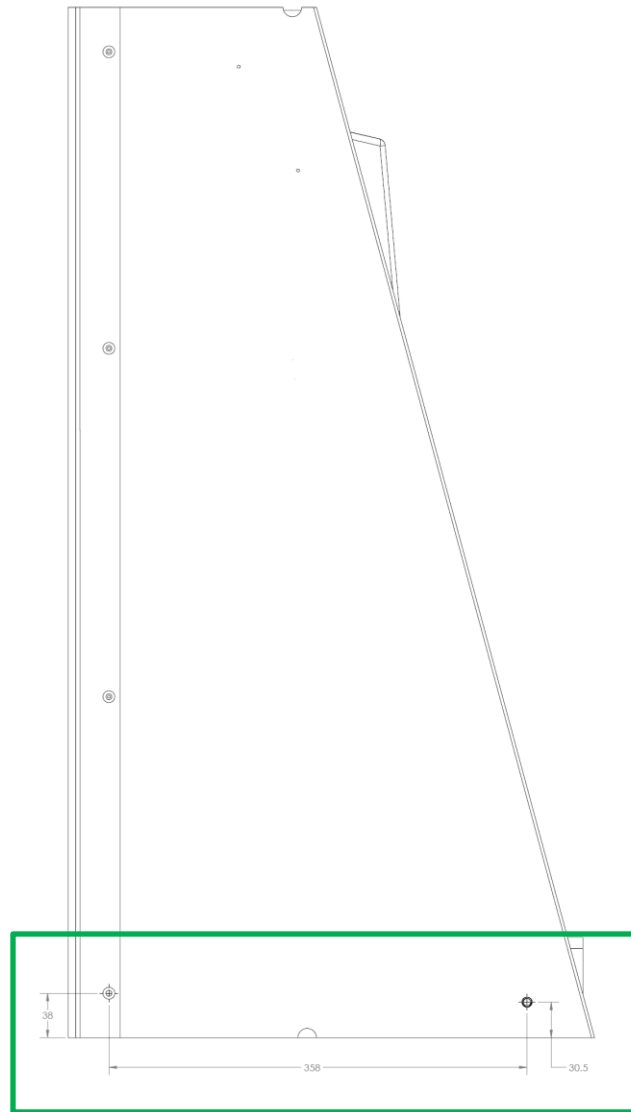
The current JBL 3733 need to be modified to be fixed on the bracket. 4 extra holes and addition of T-nuts are needed on the sides.

On the front:

- Remove the front bottom screws attaching the horn on the wood panels on both sides
- Drill holes in the wood panel through the existing hole of the horn (do not drill the horn itself)
- Install the T-nut on the back side of the panel

On the back:

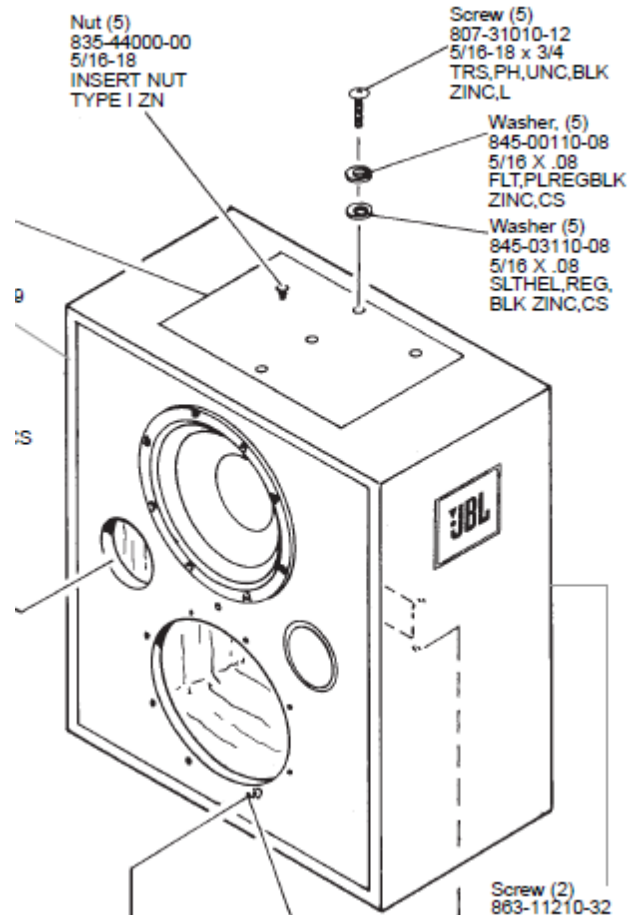
- Measure the rear hole position as represented on the next page (358mm from the front hole and 30.5 mm from the base of the panel)
- Drill holes in the wood panel
- Install the T-nut on the back of the panel



Holes and T-nuts positions to be added on both sides of the JBL 3733(in mm)

2.2. Bracket mounting on the JBL 4739

The bracket includes matching holes with the top of the JBL 4739. Use the 5 provided screws with the JBL 4739 to attach the bracket.



2.3. Installation of the 3733

Place the 3733 within the brackets legs on top of the 4739. If needed pull gently the legs out. Choose the required angle and select the corresponding attachment holes on the bracket.

Align the front 2 holes of the 3733 and the bracket at the same time (2 persons required) and screw them. Do the same with the rear holes.

3. Version History

This document will not be considered a “released” version until it has been approved.

Ver sion	Date	Description of Change	Author
A	19Oct2018	Initial Draft in new format	PJ Rene