



NANO350

Portable Passive 10"
Two-Way, Bass-Reflex Design

Professional Series

Features:

- ▶ Multi-angle enclosure for main or monitor applications
- ▶ Ultra light weight, extremely compact and highly portable
- ▶ JBL premium HF and LF drivers for high-precision acoustic reproduction
- ▶ 100° × 60° (H × V) asymmetrical waveguide from uniform audience coverage
- ▶ SonicGuard™ HF protection circuit
- ▶ Soft touch top grip for easy handling
- ▶ Multiple M10 suspension points for easy and safe rigging
- ▶ Integrated 36 mm pole mount socket with stabilizing securing screw
- ▶ Highly designed composite enclosure for durability, lightweight, and portability



Applications:

- ▶ Sound reinforcement for live performance, band giging, small concert

JBL NANO350 is a 10-inch, 2-way passive speaker system designed for multi-purpose portable applications. The NANO350 is comprised of a premium 10-inch (254 mm) woofer and a 1-inch (25.4mm) polymer diaphragm high frequency compression driver coupled with a 100° × 60° (H × V) coverage waveguide. The compact system is capable of handling 300 watts continuously and 1200 watts peak.

The NANO350 is embedded with an advanced network, for extremely consistent on- and off-axis performance. The SonicGuard™ protection circuitry prevents the high frequency compression driver from excess power without compromising the system's performance. Dual Neutrik® NL4/¼" combo connectors allow adding additional systems in parallel.

The NANO350 features ultra light weight and true portability and is designed for versatile uses. The ergonomic soft-touch handle makes it easy to lift and transport. The angled enclosure, multiple M10 suspension points and a 36-mm pole socket highly increase the system's utility as either main or monitor speaker. Rugged copolymer enclosure and screen-backed steel grille further adds durability of the entire system.

Specifications:

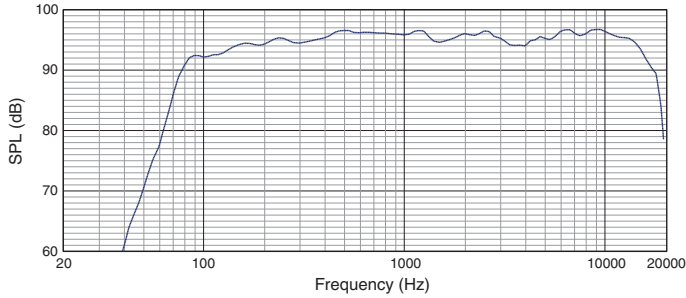
System Type:	10", 2-way, bass-reflex design
Frequency Range (-10 dB):	50 Hz - 19 kHz
Frequency Response (-3 dB):	65 Hz - 18 kHz
Coverage Pattern:	100° × 60° (H × V)
Directivity Index (DI):	9 dB
Directivity Factor (Q):	8
Crossover Frequency:	1.9 kHz
System Power Rating ¹ : (Continuous/Program/Peak)	300 W/600 W/1200 W
Sensitivity (1w/1m):	94 dB
Maximum SPL:	125 dB
Nominal Impedance:	8 ohms
LF Driver:	1 × 10" (250 mm) woofer
HF Driver:	1 × JBL 2414H-1 1" (25.4 mm) polymer diaphragm compression driver
Input Connector:	Parallel Neutrik® NL4 / ¼" combo connectors
HF Protection:	SonicGuard™ Circuit
Enclosure:	PP impact copolymer, multi-purpose main & monitor orientation
Handles:	One on the top
Suspension/Mounting:	36 mm pole socket with stabilizing screw 3 × M10 suspension points, 1 × M10 pull-back point
Grille:	Power coated perforated steel with acoustically transparent black screen backing
Dimensions (H × W × D):	490 mm × 313 mm × 262 mm 19.3 inch × 12.3 inch × 10.3 inch
Net Weight:	9.8 kg (22 lbs)

¹ IEC pink noise with 6 dB crest factor, in frequency range for 2 hours

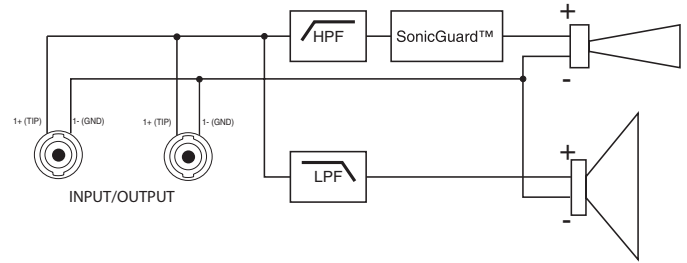
JBL continually engages in research related to product improvement. Some materials, production methods and design refinements are introduced into existing products without notice as a routine expression of that philosophy. For this reason, any current JBL product may differ in some respect from its published description, but will always equal or exceed the original design specifications unless otherwise stated.

▶ NANO350 Portable Passive 10" Two-Way, Bass-Reflex Design

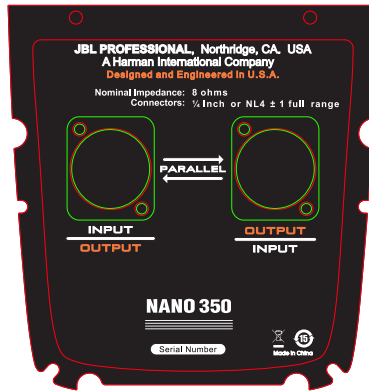
Frequency Response:



Block Diagram:

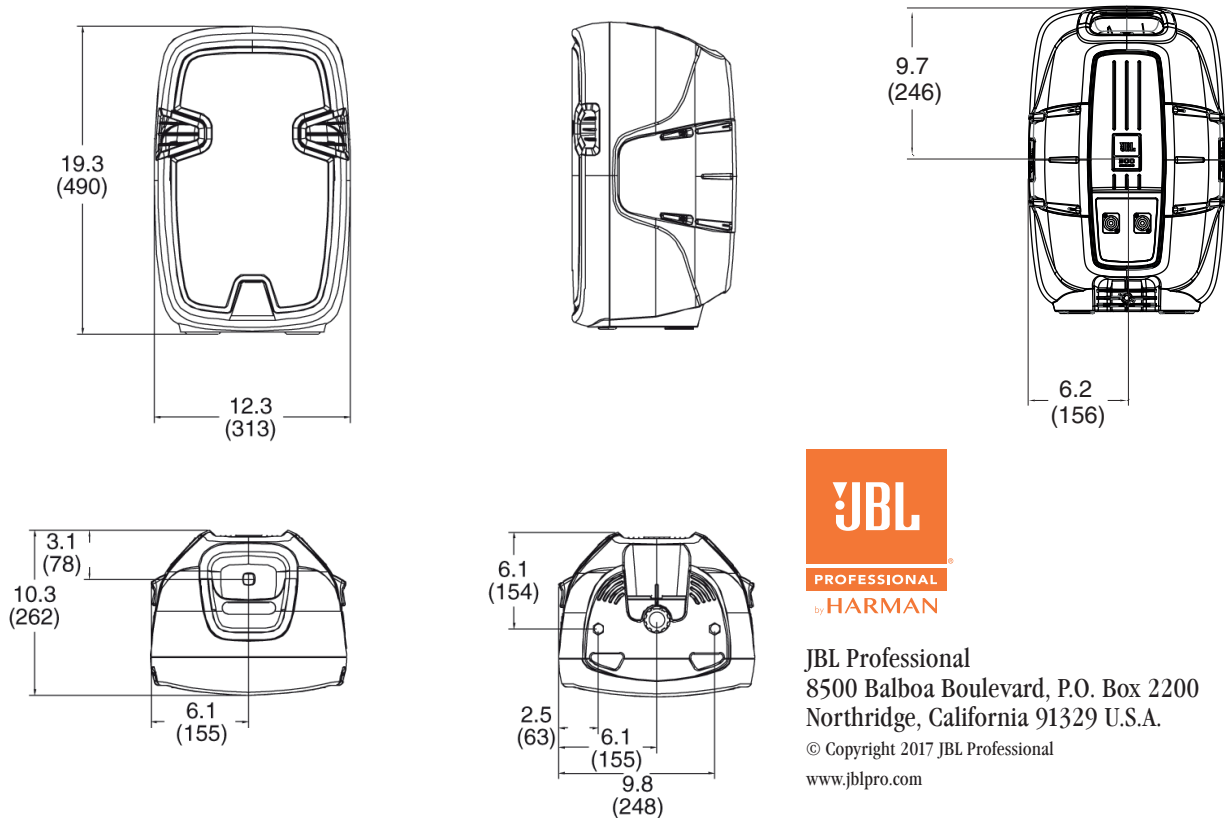


Input Panel:



Dimensions:

Dimensions in mm /inch



JBL Professional
8500 Balboa Boulevard, P.O. Box 2200
Northridge, California 91329 U.S.A.

© Copyright 2017 JBL Professional
www.jblpro.com

NANO350
SZ
04/17