



MTC-29MK

Marine Kit Grille for C29AV

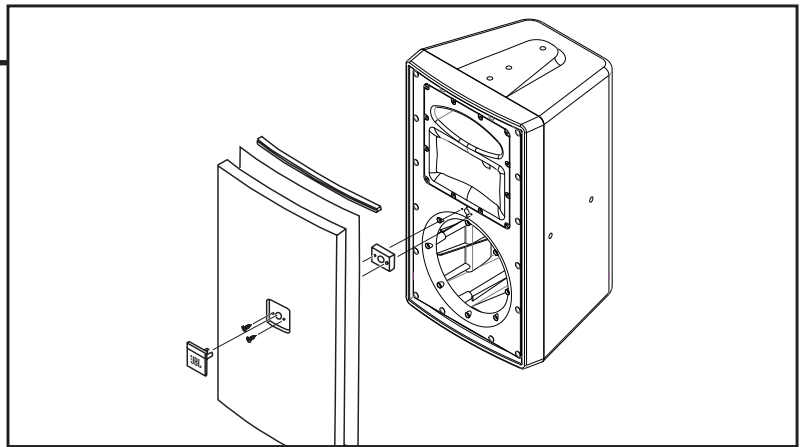
Kit Contents:

- 1 x aluminum grille with WeatherMax™ backing
- 2 x stainless steel screws

1

Remove the stock grille:

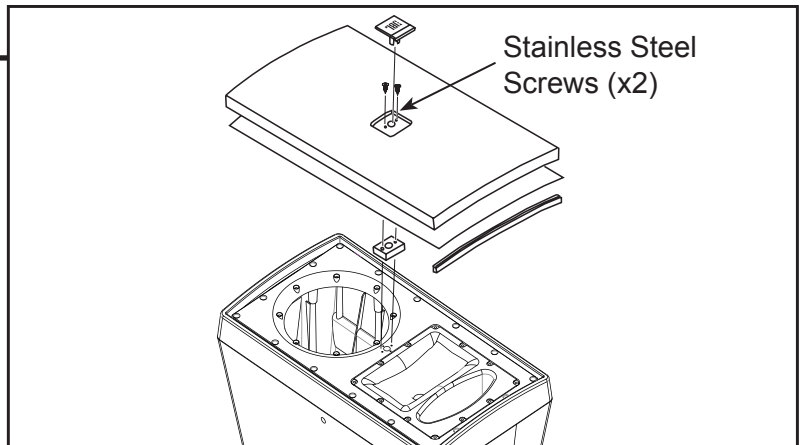
1. Remove the JBL badge from the center of the grille by gently prying the badge from its sides.
2. Remove the two (2) screws beneath the badge.
3. Remove the grille by pulling it outward.
4. Save the Center Grille Spacer and the four (4) Rubber Grille Seals for the new grille.



2

Reassemble with the new grille:

1. Place the four (4) saved Rubber Grille Seals over the edges of the new grille.
2. Place the speaker on its back. Place the saved center Grille Spacer into place in the center of the baffle. Make sure it is behind the screw mounting point between drivers.
3. Slide the grille (with Seals attached) into the channel along the edge of the baffle.
4. Secure the grille in the center with the two (2) included stainless steel screws (through the grille, the Center Grille Spacer and into the baffle). Do not overtighten.
5. Re-insert the JBL badge.



JBL Professional
8500 Balboa Blvd.
Northridge, CA 91329 U.S.A.