



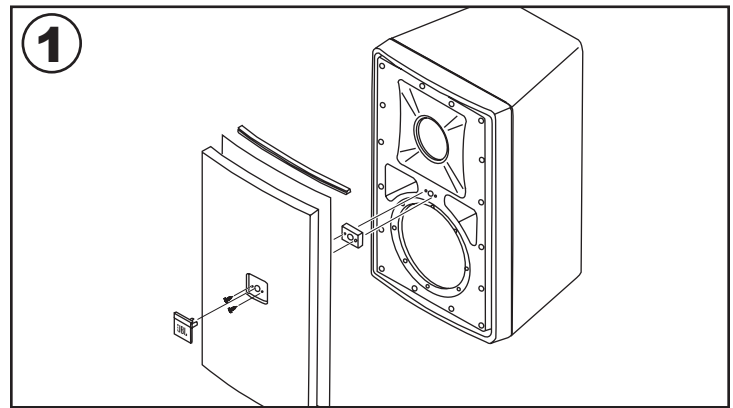
Marine Grille Kit Control 30

Kit Contents:

- 16 x 14mm round seals
- 8 x teardrop seals
- 2 x stainless steel screws
- 1 x grille with foam

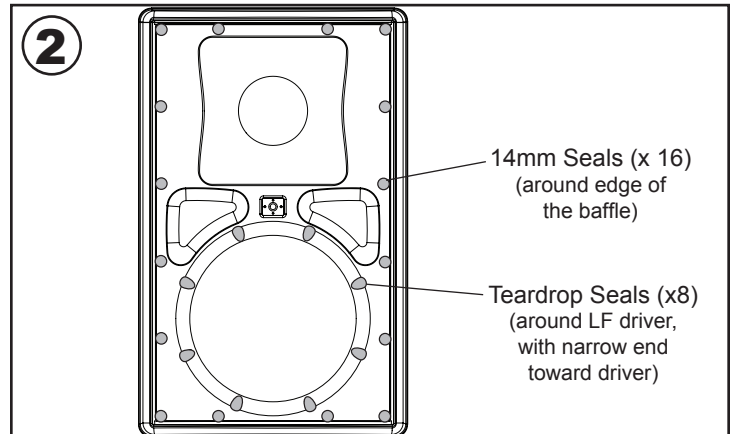
1 To access the baffle:

1. Remove the JBL badge from the center of the grille by gently prying the badge from its sides.
2. Remove the two (2) screws beneath the badge.
3. Remove the grille by pulling it outward.
4. Remove the four (4) Rubber Grille Seals and save them for the new grille assembly.



2 Sealing the baffle screws:

1. Remove adhesive backing cover from the teardrop shaped seals and place the seals over the LF driver's mounting screws. The tapered end of the seal should point towards center of the LF driver.
2. Remove adhesive backing cover from the 14mm seals and place the seals over the mounting holes along the edge of the baffle.
3. When completed the baffle should look as follows.



3 To re-assemble with the new grille:

1. Place four (4) saved Rubber Grille Seals over the edges of the new grille.
2. Slide the grille (with seals attached) into the channel along the edge of the baffle.
3. Secure the grille in the center with the two included stainless steel screws. Make sure the grille spacer is behind the screw mounting point between the grille and the baffle. It is easiest to do this with the speaker sitting on its back.
4. Re-insert the JBL Badge.

