

专业级音箱系列

主要特点：

- ▶ 真正为KTV应用而设计的3分频扬声器系统
- ▶ 10英寸低音单元采用线性悬挂系统与带短路环设计，可有效消除失真、减少功率压缩
- ▶ 5英寸纸锥中音单元经优化设计，可更好地重放人声
- ▶ 1英寸高音单元采用定制式金属膜，具有极佳的高频响应
- ▶ 精心设计的分频器可实现精准分频并优化三段频率响应
- ▶ 内置经专业设计的保护电路，可有效保护高音单元，避免功率过载
- ▶ 箱体采用侧倒相设计，更好地适应各类安装环境
- ▶ 搭载JBL PSL无源系统声光技术，完美展现产品的科技感

应用：

Ki510是一款专为KTV应用设计的3分频全频音箱，搭配1个10英寸低音单元、1个5英寸中音单元与1个1英寸金属膜高音单元，可承受350W连续功率。

Ki510低音部分采用10英寸大功率低音单元，结合长纤维纸浆纸盆与泡沫折环，具有坚韧牢固等特点，可承受磁路产生的巨大加速力。中音与高音部分分别采用5英寸纸锥中音单元与1英寸金属膜高音单元，优化中高音表现，提升KTV扩声系统音质。

Ki510系列在外观上进行了大胆创新，以非对称式外观设计突显三分频特性，以明朗的线条强调产品的硬品质与高性能。Ki510采用冷棕色调木箱，前面板以黑色雪花纹铁网搭配黑色亮片布网，中部配以玫瑰金装饰条，整体外观优雅大方、时尚专业。

Ki510还将科技融入外观创新，以JBL专有PSL（Passive Sound Lighting）无源系统声光技术展现JBL娱乐专属Logo，极大提升产品的科技感。无论是放声高歌，或是静坐聆听，JBL让您看得见声音的力量。



规格：

系统：

系统类型：	10英寸，3分频，低频反射式
频率范围(-10 dB) ¹ ：	62 Hz - 18 kHz
频率响应(±3 dB) ¹ ：	75 Hz - 16 kHz
灵敏度(1w/1m) ¹ ：	89 dB
额定阻抗：	8 Ohms
最大声压级输出：	113 dB (峰值: 119 dB)
额定输入功率 ² ： (连续/音乐信号/峰值)	350 W/700 W/1400 W
覆盖角：	80° × 60°(H × V)

外型：

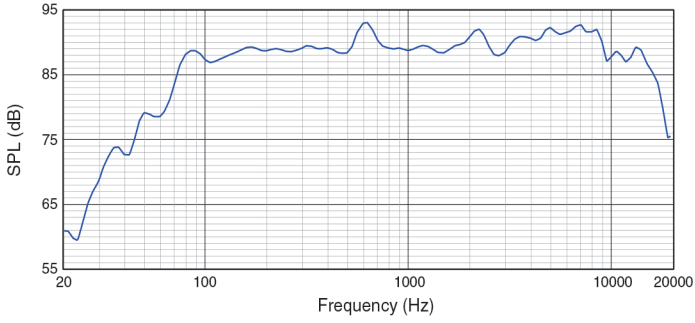
外型尺寸(H × W × D)：	310 mm × 510 mm × 342 mm 12.2 inch × 20 inch × 13.4 inch
净重：	24.8 Kg (54.7 lbs)
低音单元：	1 × 10英寸低音单元
中音单元：	1 × 5英寸中音单元
高音单元：	1 × 1英寸铝膜球顶高音单元
输入连接器：	接线柱
箱体结构：	15 mm中密度纤维板，乙烯基贴层处理

1 全空间(4π)条件下测定

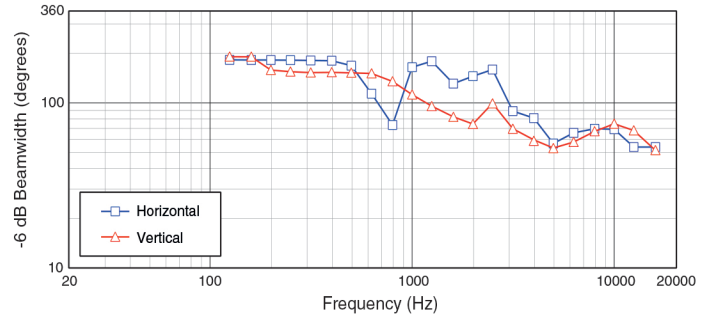
2 IEC标准、峰值因数为6 dB的粉红噪声下进行2小时测试

► Ki510 10英寸3分频全频扬声器系统

频率响应和阻抗曲线:

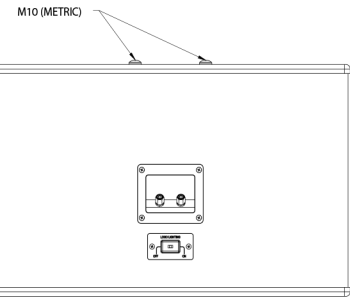
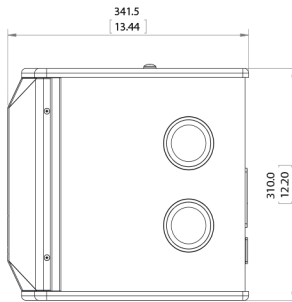
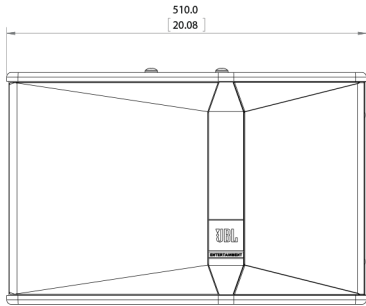
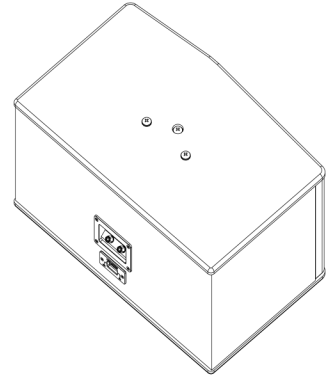
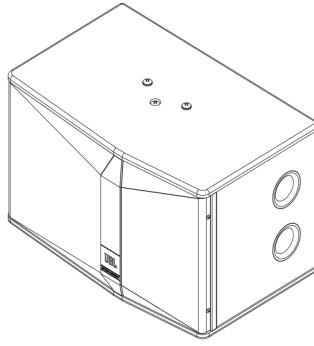
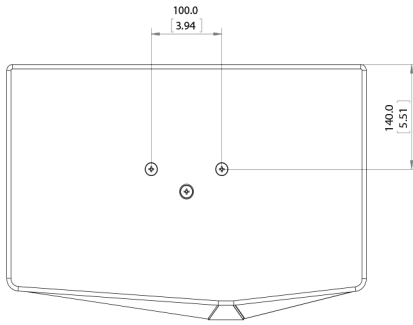


覆盖范围:



外形尺寸:

单位: mm (inch/英寸)



“harmanpro”
官方微信公众平台



“哈曼专业音响中国”
官方新浪微博

JBL Professional
8500 Balboa Boulevard, P.O. Box 2200
Northridge, California 91329 U.S.A.
© Copyright 2016 JBL Professional
www.jblpro.com

SSK510
SZ
08/16



Ki510

10 Inch 3-Way Full Range Loudspeaker System

Professional Series

Key Features:

- ▶ A true 3-way full range loudspeaker designed for KTV applications
- ▶ Linear suspension and vented yoke design for 10" woofer effectively reduce distortion and power compression
- ▶ Optimized 5" paper cone squawker realizes better midrange vocal reproduction
- ▶ 1" aluminum dome tweeter delivers optimal high frequency response
- ▶ Precision engineered crossover for accurate and optimal frequency response
- ▶ Built-in protection circuit protects high frequency driver from excess power without interrupting performance
- ▶ Venting port is designed to the side for versatile installations
- ▶ PSL (Passive Sound-Lighting) Technology indicates JBL devotion to scientific advancement



Applications:

Ki510 is a full-range speaker designed specifically for KTV applications. The 3-way speaker combines a 10" woofer, a 5" squawker and a 1" aluminum dome tweeter and is able to handle continuous power of 350 Watts.

The high-power 10" woofer features a long fiber pulp cone and pure nitrile butadiene rubber surround and provides necessary stiffness and capacity to withstand the tremendous accelerating force from the motor. The 5" paper cone squawker and the 1" aluminum dome tweeter optimizes middle and high range reproduction and guarantees non-compromised sound quality for the whole speaker system.

Ki510 takes on a bold and unique appearance. Its asymmetric cool brown enclosure echoes the deliberately-defined three-way system. The clear-cut outlines indicate the quality and performance the speaker possesses. The front panel comprises a paillette fabric and a snow-flake patterned grille and highlights a rose gold strip. The trendy enclosure creates an air of elegance and professionalism.

As a showcase of JBL's addiction to technology, JBL ENTERTAINMENT illuminate its logo through PSL (Passive Sound Lighting) Technology. Whether you are enjoying your time singing loud, or appreciating the music sitting still, you will see JBL sound with your naked eyes.

Specifications:

System:

System Type:	10", 3-way, bass-reflex
Frequency Range (-10 dB) ¹ :	62 Hz - 18 kHz
Frequency Response (±3 dB) ¹ :	75 Hz - 16 kHz
Sensitivity (1w/1m) ¹ :	89 dB
Nominal Impedance:	8 Ohms
Maximum SPL:	113 dB (119 dB peak)
Power Rating ² : (Continuous/Program/Peak)	350 W/700 W/1400 W
Coverage Pattern:	80° × 60° (H × V)

Physical:

Dimensions (H × W × D):	310 mm × 510 mm × 342 mm 12.2 inch × 20 inch × 13.4 inch
Net Weight:	24.8 Kg (54.7 lbs)
LF Driver:	1 × 10" woofer
MF Driver:	1 × 5" squawker
HF Driver:	1 × 1" aluminum dome tweeter
Input Connectors:	Binding post
Enclosure Construction:	Vinyl covered 15 mm MDF

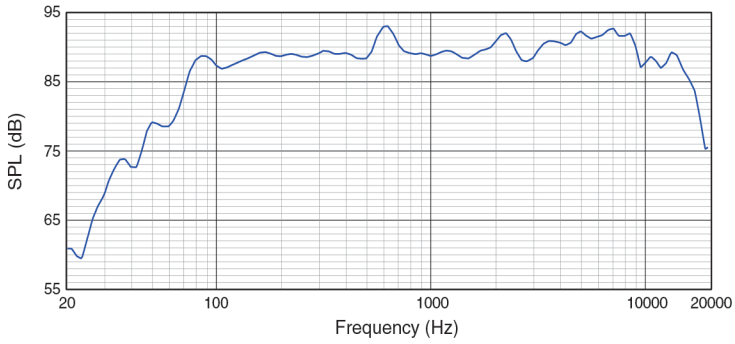
¹ Full space (4π) conditions

² IEC pink noise with 6 dB crest factor, in frequency range for 2 hours

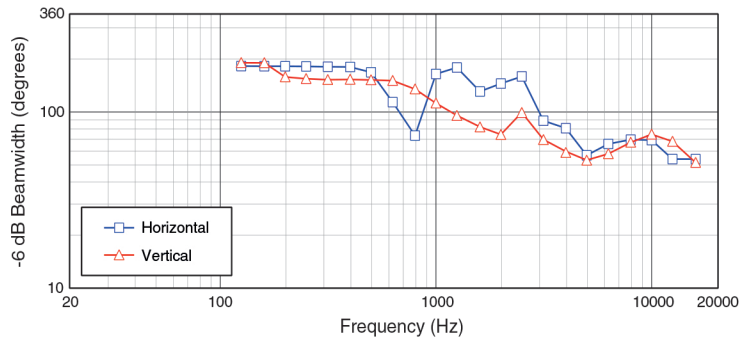
JBL continually engages in research related to product improvement. Some materials, production methods and design refinements are introduced into existing products without notice as a routine expression of that philosophy. For this reason, any current JBL product may differ in some respect from its published description, but will always equal or exceed the original design specifications unless otherwise stated.

► Ki510 10 Inch 3-Way Full Range Loudspeaker System

Frequency Response and Impedance:

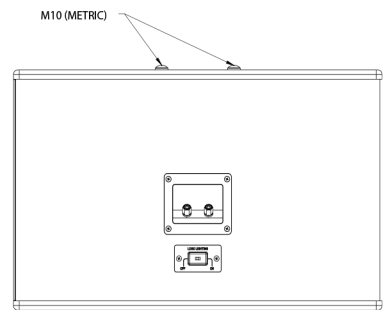
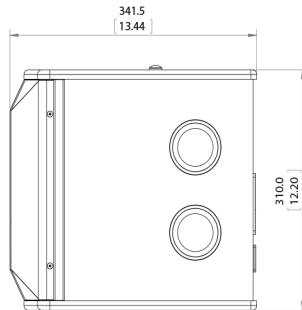
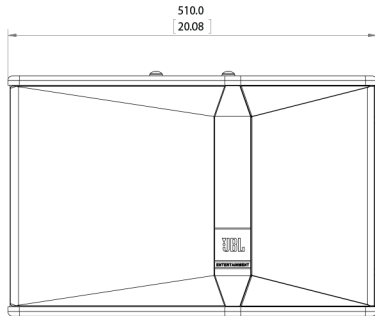
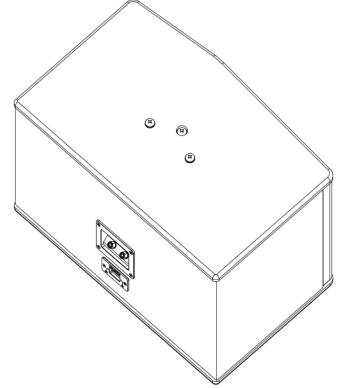
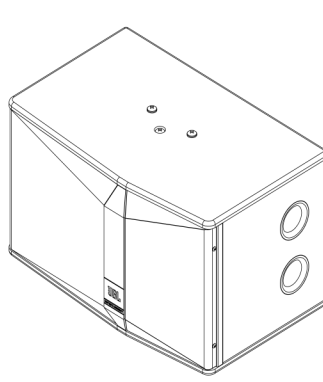
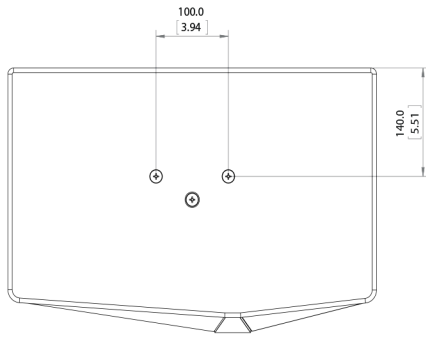


Beamwidth:



Dimensions:

Dimensions in mm (inch)



JBL Professional
 8500 Balboa Boulevard, P.O. Box 2200
 Northridge, California 91329 U.S.A.
 © Copyright 2016 JBL Professional
 www.jblpro.com

SSKi510
 SZ
 08/16