



# Ki112WH-PAK

## 12 Inch 3-Way Full Range Loudspeaker System

### Professional Series

### Key Features:

- 🔑 12" woofer with 2.5" four-layer voice coil can provide higher power handling
- 🔑 Linear suspension and vented pole piece design for woofer can effectively reduce the distortion and power compression
- 🔑 Two 3" cone mid-range drivers and two 3" cone tweeters for better vocal reproduction
- 🔑 Precision engineered crossover can divide accurately and optimize three band frequency response
- 🔑 The enclosure is constructed of MDF (Medium Density Fiberboard) with vinyl laminated finish
- 🔑 Built-in protection circuit engineered specifically to protect the tweeter without interrupting the overall performance
- 🔑 10th anniversary exclusive edition with golden JBL Entertainment Logo



### Applications:

The Ki112 is a 3-way full-range speaker designed specifically for KTV market needs. The Ki112 utilizes a 12" woofer, two 3" cone mid-range drivers, and two 3" cone tweeters.

The 12" woofer features a non-pressed long fiber pulp cone with a foam surround providing necessary stiffness for long-lasting reliability, and the capacity to withstand the tremendous accelerating force generated by the magnetic energy of the motor structure. Two 3" cone mid-range drivers matched with two 3" cone tweeters enhances the performance in the mid-range and high-frequency range and provides perfect fidelity to meet KTV audio system needs.

The Ki112 is designed to handle 250 watts of continuous power. The enclosure is constructed of MDF with vinyl laminated finish and fitted with nickel plated binding post for reliable connectivity. Two high-strength M10 attachment points guarantee the stability of suspension.

The integrated grille, with elaborate design, adds a distinctive element to the overall elegant appearance of the loudspeaker in addition to protecting the components from damage.

### Specifications:

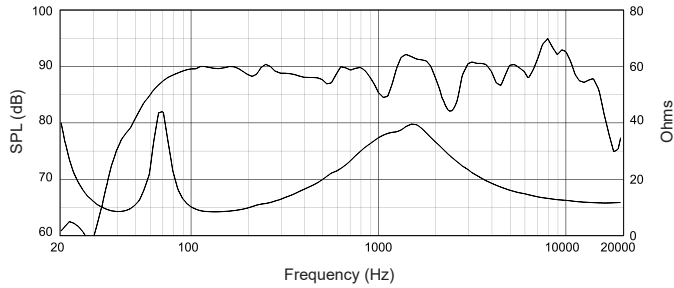
System:	
System Type:	12", 3-way, bass-reflex
Frequency Range (-10 dB) <sup>1</sup> :	45 Hz - 18 kHz
Frequency Response ( $\pm 3$ dB) <sup>1</sup> :	60 Hz - 16 kHz
Sensitivity (1w/1m) <sup>1</sup> :	90 dB
Nominal Impedance:	8 ohms
Maximum SPL:	114 dB (120 dB peak)
Power Rating <sup>2</sup> : (Continuous/Program/Peak)	250 W / 500 W / 1000 W
Recommended amplifier power:	300 W ~ 400 W / 8 Ohms
Coverage Pattern:	150° x 100° (H x V)
Physical:	
Dimensions (H x W x D):	350 mm x 586 mm x 368 mm 13.8 in x 23.1 in x 14.5 in
Net Weight:	17.8 kg (39.2 lbs)
LF Driver:	1 x 12" WF
MF Driver:	2 x 3" paper cone squawker
HF Driver:	2 x 3" paper cone tweeter
Input Connectors:	Binding post
Enclosure Construction:	Vinyl covered 15 mm MDF

<sup>1</sup> Full space (4 $\pi$ ) conditions

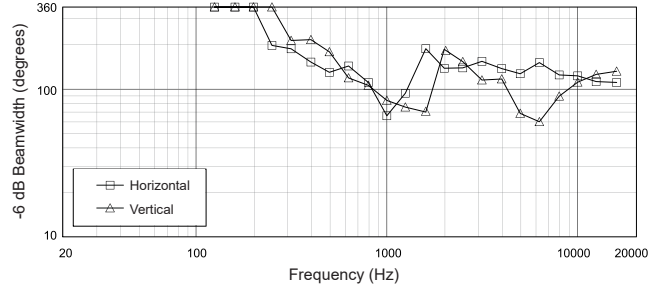
<sup>2</sup> IEC pink noise with 6 dB crest factor, in frequency range for 100 hours

# ► Ki112WH-PAK 12 Inch 3-Way Full Range Loudspeaker System

## Frequency Response and Impedance

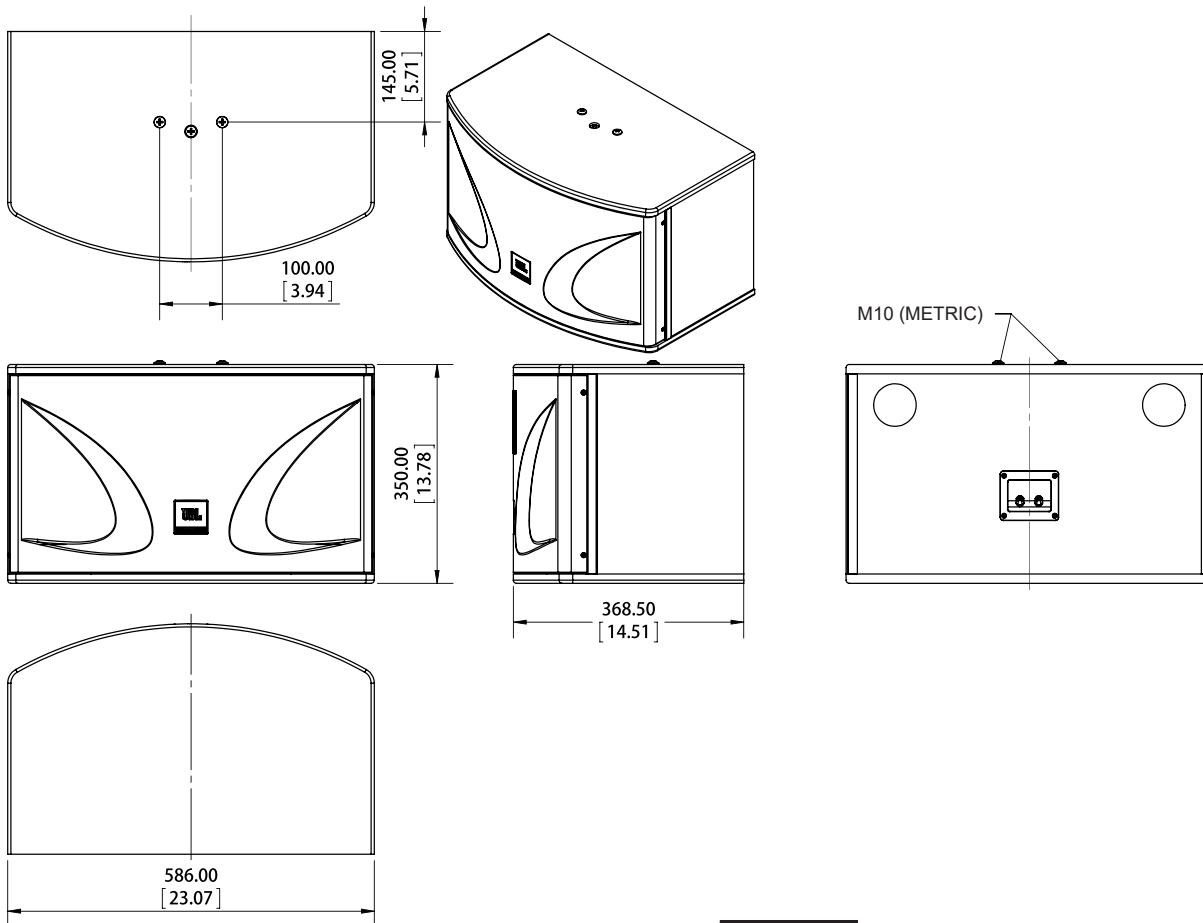


## Beamwidth



## Dimensions

Dimensions in mm (inch)



JBL Professional  
8500 Balboa Boulevard, P.O. Box 2200  
Northridge, California 91325 U.S.A.

© Copyright 2022 JBL Professional  
[www.jblpro.com](http://www.jblpro.com)

Ki112WH  
SZ  
10/29



# Ki112WH-PAK

12 英寸 3 分频全频扬声器系统

## 专业级音箱系列

### 主要特点：

- ▶ 12 英寸大功率低音单元，采用 2.5 英寸 4 层铜线音圈
- ▶ 线性悬挂系统和带孔轭铁设计的低音单元能有效消除失真和减少功率压缩
- ▶ 2 个 3 英寸纸锥中音和 2 个 3 英寸纸锥高音搭配能更好的重放人声
- ▶ 精心设计的分频器准确分频和优化三段频率响应
- ▶ 箱体采用坚固的中密度纤维板，表面采用乙烯基贴层处理
- ▶ 专业设计的内置保护电路能有效保护高音单元，避免功率过载而中断工作
- ▶ 拥有金色 JBL Entertainment 铭牌的 10 周年限量版)



### Applications:

Ki112 是一款专为 KTV 包厢设计的 3 分频全频音箱，它使用了 1 个 12 英寸低音单元、2 个 3 英寸纸锥中音和 2 个 3 英寸纸锥高音。

采用非压缩长纤维纸浆纸盆和泡沫折环的 12 英寸低音单元，具有坚韧、可靠性强的特点，能承受磁路产生的巨大加速力。2 个 3 英寸纸锥中音搭配 2 个 3 英寸纸锥高音能改善中高音表现并提供 KTV 扩声需要的更好的音质。

整个音箱系统可以承受 250W 连续功率。箱体采用坚固的中密度纤维板，表面采用乙烯基贴层处理。镀镍处理的接线柱可增强连接可靠性。2 个高强度 M10 吊挂点，使得悬挂牢固度得以保证。

精心设计的整体式的铁网不仅能有效保护零部件而且优雅的外观设计独具匠心。

### 规格:

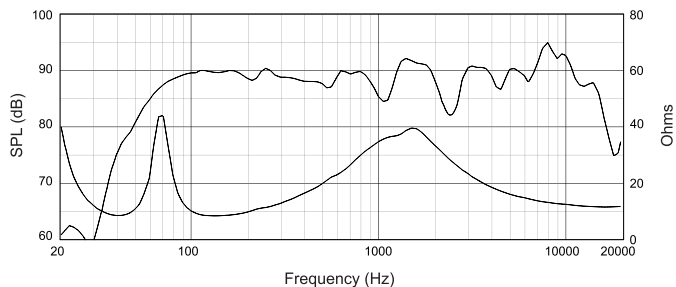
系统:	
系统类型:	12 英寸, 3 分频, 低频反射式
频率范围 (-10 dB) <sup>1</sup> :	45 Hz - 18 kHz
频率响应 (±3 dB) <sup>1</sup> :	60 Hz - 16 kHz
灵敏度 (1w/1m) <sup>1</sup> :	90 dB
额定阻抗:	8 ohms
最大声压级输出:	114 dB (峰值: 120 dB)
额定输入功率 <sup>2</sup> : (连续 / 音乐信号 / 峰值)	250 W / 500 W / 1000 W
推荐功放功率范围:	300 W ~ 400 W / 8 Ohms
覆盖角:	150° x 100° (H x V)
外型:	
外型尺寸 (H x W x D):	350 mm x 586 mm x 368 mm 13.8 英寸 x 23.1 英寸 x 14.5 英寸
净重:	17.8 kg (39.2 磅)
低音单元:	1 个 12 英寸低音单元
中音单元:	2 个 3 英寸纸锥中音单元
高音单元:	2 个 3 英寸纸锥高音单元
输入连接器:	接线柱
箱体结构:	15 mm 厚中密度纤维板, 表面采用乙烯基贴层处理

<sup>1</sup> 全空间 (4π) 条件下测定

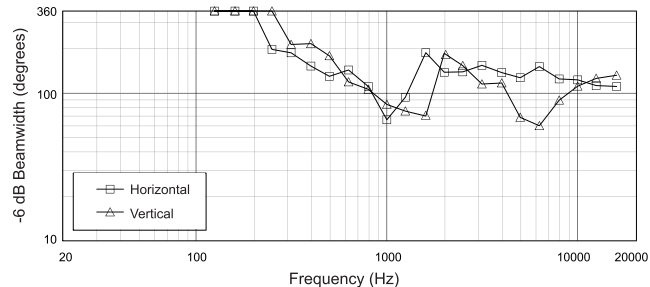
<sup>2</sup> IEC 标准, 峰值因数为 6 dB 的粉红噪声在有效频率范围内进行 100 小时的测试

# ► Ki112WH-PAK 12 英寸 3 分频全频扬声器系统

频率响应和阻抗曲线

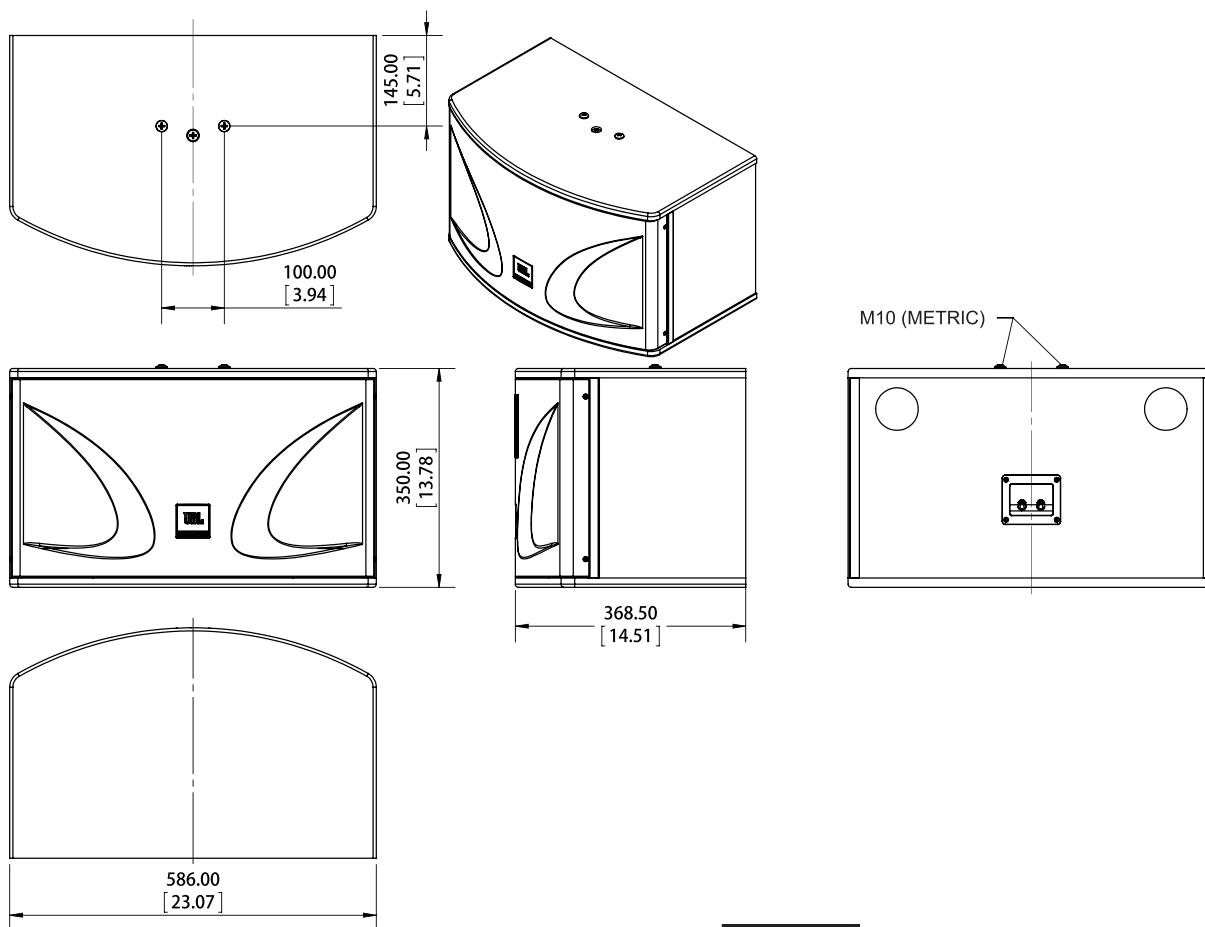


覆盖范围



外形尺寸

单位: mm (inch/ 英寸)



JBL Professional  
8500 Balboa Boulevard, P.O. Box 2200  
Northridge, California 91325 U.S.A.

© Copyright 2022 JBL Professional  
[www.jblpro.com](http://www.jblpro.com)

Ki112WH  
SZ  
10/29