



JBL AMP SERIES Wireless Microphone



AMP-RWM
Speech On The Go
User manual

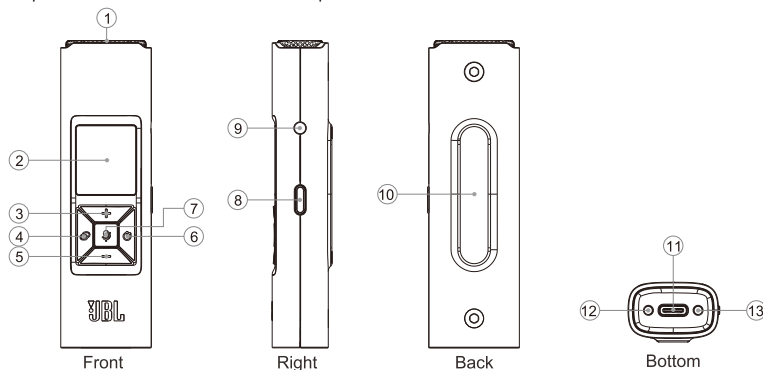
I. Unpacking

All equipment packaging materials are recommended to be stored properly for later use when transporting the equipment. Do not transport equipment without factory packaging. The packing list is as follows:

- 1) AMP-RWM Portable Wireless Microphone x 1 pc
- 2) Lanyard x 1 pc
- 3) Operation Instruction x 1 pc
- 4) USB-C Charging Cable x 1 pc
- 5) USB Type-A Charger x 1 pc

After the arrival of equipment, please unpack and accept it in time and check whether the equipment is damaged due to transportation. In case of damage, please contact the shipper immediately. Claims for such transport damage must be filed by the equipment recipient, and in case of any damage to the arrived equipment, please keep the shipping box for inspection by the transport company.

II. Wireless microphone buttons and interface description



- ① Microphone cartridge: removable microphone cartridge, including dust-proof mesh cover;
- ② Screen: shows the current status and operation information of the device;

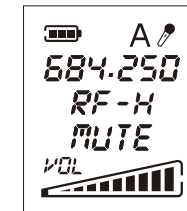
JBL AMP SERIES

- ③ Volume button +: short press. Every time you press it, the volume is increased by one level; long press for 3s, the volume automatically increases to maximum;
- ④ Synchronization button: short press to start synchronization with AMP150 / 350; long press for 3s to disable auto-sync function; long press again for 3s to re-activate;
- ⑤ Volume button -: short press. Every time you press it, the volume is reduced by one level; long press for 3s, the volume automatically reduces to minimum;
- ⑥ Timing button: short press to start timing, short press again to pause timing, long press to reset and exit timing;
- ⑦ Mute button: short press to mute, short press again to release; long press for 3s to turn on auto-mute, long press again for 3s to turn off auto-mute;
- ⑧ Power button: long press for 3s to turn on or off; when it is turned on, quickly click twice to check the version;
- ⑨ 3.5mm TRS jack: external microphone input;
- ⑩ Magnetic stripe: you can hang it with the magnetic stripe lanyard;
- ⑪ Charging port: Type-C USB
- ⑫⑬ Charging electrode: can be connected with AMP-BC base charger for charging;

⚠ When the AMP-RWM display is dim, pressing any button will only light up the display. This is to confirm if the AMP-RWM is on. All the above functions can only be executed after the display is light up (except for the power button).

III. Screen function status introduction

- 1) When the device is powered on, the screen will be lit up and show the main interface. The main interface shows the current status of the device, such as battery level, volume and other information, and the corresponding information when operating the device. The details are shown in the figure below:



Main interface

- 2) **A** : when this icon is displayed, it means the auto mute function is on; when the microphone is not used for a long time, it will automatically enter the mute state, and at the same time, there will be the text "MUTE" flashing constantly on the main interface.



- ① Turn on auto mute: long press [Mute] button for 3s, the icon "A" appears on the screen, meaning auto mute function is on;
- ② Turn off auto mute: long press the [Mute] button for 3s, and the icon "A" disappears from the screen, meaning the auto mute function is turned off;

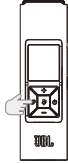
Long press the [Mute] button for 3s

- 3) : battery level indicator. When the battery is full, it means that the battery is fully charged, when this icon turns into and keeps flashing, it means that the battery level is low and please charge it as soon as possible.
- 4) **684.250** : frequency information. The frequency range is 645.25-684.25MHz, only compatible with JBL AMP150 / 350 integrated power amplifier.
- 5) **RF-H** : when this icon is displayed, it means that the RF signal is operating in high power mode, and the distance of use will be farther; when it is displayed as "RF-L", it means that the RF signal is operating in low power mode, and the distance of use will be closer.
- 6) **00:00** : short press [Timing] button to start timing, long press [Timing] button to reset and exit timing function; in the timing state, short press to pause, short press again to continue timing.



- ① Short press the timing button, the screen displays "00:00", and start timing. Short press to pause the timing, short press again to continue timing; When the " " in the middle flashes, it means timing is in operation. Within 1 hour, the front "00" represents minute, the back "00" represents second; when timing runs over an hour 1 hour, the front "00" represents hour, the back "00" represents minute;
- ② Long press timing button to reset and exit timing function;

- 7) **SYN** : flashing state. Representing synchronization is in progress, and please do not place the microphone within 300mm of JBL AMP150 / 350 receiving antenna. Fail to do so might result in sound interference or no signal. Upon successful synchronization, AMP150 / 350 will display microphone status on the screen.



Short press the [Synchronization] button

- Short press the [Synchronization] button, "**SYN**" flashes, and indicates synchronization is in progress.
- Upon successful synchronization, the JBL AMP150 / 350 host will show the icon . If the logo appears, it means that synchronization is not done or fails;
- Upon successful synchronization, AMP-RWM shows UHF frequency value, for example "**684.250**";
- If "**OFF.SYN**" is displayed, it means synchronization is disabled.

- 8) **OFF.SYN** : Disable synchronization icon. Long press the [synchronization] button for 3s, the screen will display "**Off.Syn**", meaning disable synchronization is turned off, and short press the [synchronization] button is allowed to perform synchronization; long press again [Synchronization] button again for 3s, the screen will display "**OFF.SYN**" again, meaning disable synchronization function is activated.

- 9) : volume icon. Short press [+] / [-] volume buttons, the corresponding volume level will be increased or decreased; long press [+] / [-] volume button for 3s, the volume level will be increased to maximum or minimum automatically.

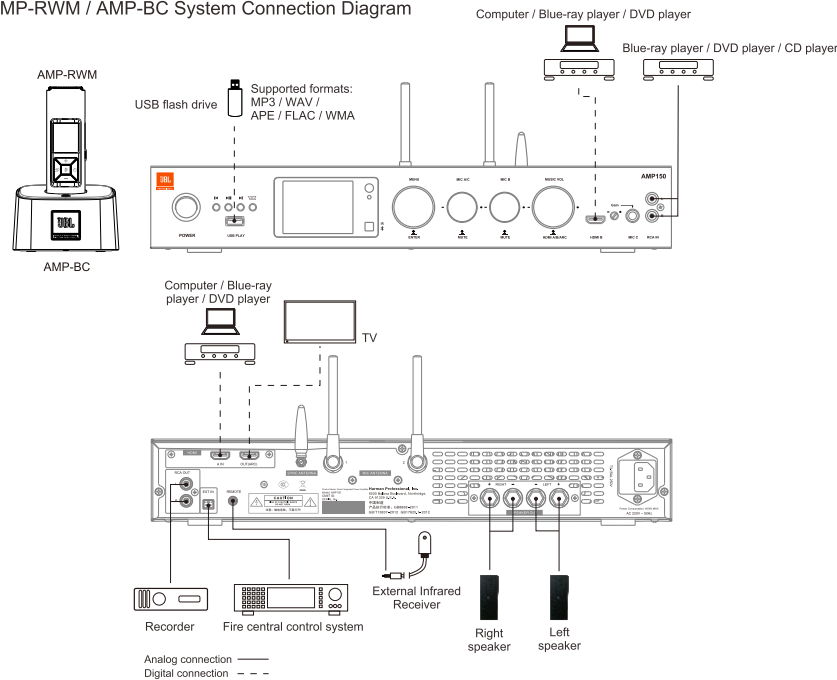
- 10) **MUTE** : Short press [Mute] button, "**MUTE**" on the screen will keep flashing, meaning mute is on; short press again, "**MUTE**" is off and icon disappear.



Short press [Mute] button

- When the "**MUTE**" character on the screen keeps flashing, it means the mute is turned on and no sound output;
- Short press the [Mute] button again, the "**MUTE**" on the screen will disappear, indicating that the mute is turned off and sound output is restored;

IV. AMP-RWM / AMP-BC System Connection Diagram



V. Main technical parameters

Modulation method	FM	Microphone	
Power (TYPE-C Input)	DC 5V 1A	Type	Electret condenser microphone
Carrier frequency	645.25 MHz ~ 684.25 MHz	Sensitivity	-44 dB / 680 ohms (0 dB = 1 V / Pa at 1 kHz)
Battery capacity	700 mAh	Frequency response	70 Hz ~ 14 kHz
Battery duration	> 4 hours after fully charged	Directivity	Cardioid
Interface	Φ 3.5 mm jack for auxiliary audio input	Equivalent noise	≤ -70 dBA
	USB-C for charging	Maximum sound pressure level	110 dB (THD < 3 %)
	Two charging ports	Mechanical	
Display	LCD	Dimensions (H x W x D)	98.5 x 29.0 x 19.1 mm
Transmission range	≤ 15 m	Color	Black
Synchronization range	< 10 m	Weight	49 g

Ordering information

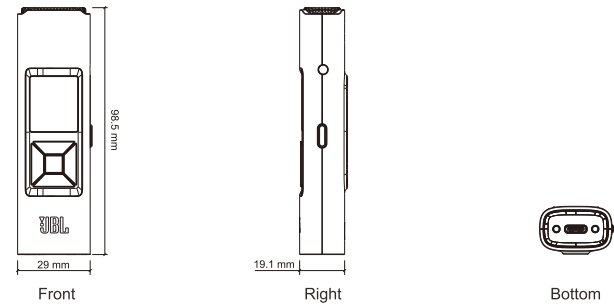
Host: JBL AMP150 / 350

Microphone: JBL AMP-RWM

Charging base: JBL AMP-BC

Speaker: JBL CV1510 / JBL CV1610

VI. Overall dimensions



VII. Description of environmental protection

AMP-RWM products are in accordance with names and contents of toxic and hazardous substances or elements in SJT 11363-2014

	Pb and its compounds	Hg and its compounds	Cd and its compounds	Cr ⁶⁺ and its compounds	Polybrominated biphenyls	Polybrominated diphenyl ethers
Printed circuit board	X	0	0	0	0	0
Display screen	0	0	0	0	0	0
Plastics and polymers Components	0	0	0	0	0	0
Metal parts	0	0	0	0	0	0

0* Indicates that the content of the toxic and hazardous substances in all homogeneous materials of the component is below the limit requirements stipulated in GB/T 26572-2011.
 X* Indicates that the content of the toxic and hazardous substance in at least one homogeneous material of the component exceeds the limit requirements stipulated in GB/T 26572-2011.
 According to the Chinese Electronic Industry Standard SJT 11364-2014 and relevant Chinese government regulations, this product and some of its internal or external components may bear environmental protection use-by-date marks. It depends on the component and component manufacturer. The use-by-date marks on the product and its components may vary. The use-by-date marks on components take precedence over any conflicting or different environmental protection use-by-date marks on the product.

This mark applies to electronic information products sold in the People's Republic of China. The number in the center of the mark is the number of years of the applicable period of environmental protection.



Product Name: Wireless Microphone
 Model: AMP-RWM
 Executive Standard: GB4943.1-2022

HARMAN Professional, Inc. 8500 Balboa Blvd. Northridge, CA 91329 USA
 ©2021 HARMAN Industries, Incorporated. All rights reserved.
 JBL is a trademark of HARMAN Industries, Incorporated, registered in the United States and / or other countries.
 Features, specifications, and appearance are subject to change without notice.
 Model: AMP-RWM | Product Description: Wireless Microphone
 * Pictures for reference only, subject to our available products.