

# 4822N

Two-Way ScreenArray® Cinema Loudspeaker System



## Key Features:

- Two-way ScreenArray® design for maximum output, optimal coverage and minimum distortion
- Fully passive operation
- Large format 3" neodymium, titanium diaphragm, high frequency compression driver
- Patented Differential Drive® 15" low frequency woofers for improved power handling and reduced distortion
- SSC™ Screen Spreading Compensation
- Molded Optimized Aperture Waveguide technology for ultra-low distortion and extremely uniform frequency response
- Flat front waveguide design for easy baffle wall installation
- Shallow profile for minimum behind-screen depth requirements
- Connection on top of the speakers for easy wiring behind screen
- HF driver protection



## Description:

Today's premiere cinemas require perfect coverage in every seat of the auditorium, wide dynamic range and extended bandwidth, as well as inaudible levels of distortion. Digital soundtracks, especially those associated with the latest digital cinema requirements, require sound systems that can accurately reproduce the sound exactly as recorded. Designed for film sound reproduction, the 4822N ScreenArray provides smooth and accurate reproduction of cinema soundtracks in a compact system. The ScreenArray horn features a patented design that compensates for high frequency spreading caused by perforated screens for greatly improved audience coverage. The 4822N next-generation ScreenArray is enhanced by advanced engineering. JBL's latest technical innovations are integrated into a system design that provides superior coverage, maximum power handling, and uniform acoustic power output, along with extremely low distortion. The ScreenArray design provides ideal power response and directivity control with seamless transitions between acoustic sections.

## Specifications:

System	
Frequency Range	30 Hz – 20 kHz
Frequency Response (±3 dB)	40 Hz – 19 kHz
System Sensitivity	104 dB, 2.83 V @ 1 m (3.3 ft)
LF Sensitivity	104 dB, 2.83 V @ 1m
HF Sensitivity	105 dB, 2.83 V @ 1m
Nominal Impedance	4 ohms
Rated Maximum SPL	130 dB, @ 1 m (3.3 ft), 136 dB peak
Passive System Input Power Handling <sup>1</sup>	800 W
Nominal Coverage	90° horizontal, -30°, +20° vertical
Crossover Frequency	800 Hz
HF Bracket Tilt Range	±30° horizontal, ±10° vertical
Dimensions (H x W x D)	1265 mm x 762 mm x 450 mm (49.8 in x 30 in x 17.75 in)
Net Weight	55.8 kg (123 lb)
Shipping Weight	65.4 kg (144 lb)

### Component Electronics – Model 4839

Low Frequency Transducers	2 x 265H-2, 380 mm (15 in) diameter, 76 mm high (3 in) edgewound ribbon voice coil transducers mounted in a 4509 LF enclosure
Dimension (H x W x D)	1289 mm x 762 mm x 450 mm (34.75 in x 30 in x 17.75 in)
Net Weight	48.6 kg (107 lb)
Shipping Weight	55.4 kg (122 lb)

### Component Electronics – Model 4822N-HF

High Frequency Transducer (Ships Fully Assembled)	1 x 2432H compression driver, 1 x 2384 HF horn, 1 x adjustable bracket
Dimension (H x W x D)	382 mm x 762 mm x 381 mm (15 in x 30 in x 15 in)
Net Weight	7.3 kg (16 lb)
Shipping Weight	12.7 kg (28 lb)

<sup>1</sup>Rating based on test signal of filtered random noise conforming to the International standard IEC 268-1 (pink noise with 12 dB per octave roll-off below 40 Hz and above 5000 Hz with a peak-to-average ratio of 6 dB).

Specifications are stated in free-field (4pi) conditions.

JBL continually engages in research related to product improvement. Some materials, production methods and design refinements are introduced into existing products without notice as a routine expression of that philosophy. For this reason, any current JBL product may differ in some respect from its published description, but will always equal or exceed the original design specifications unless otherwise stated.

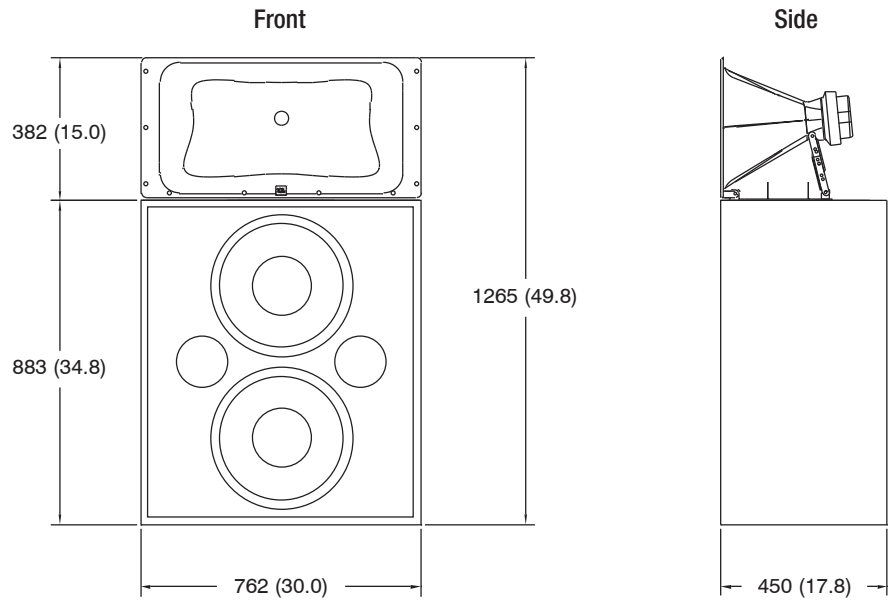
# 4822N

Two-Way ScreenArray<sup>®</sup> Cinema Loudspeaker System



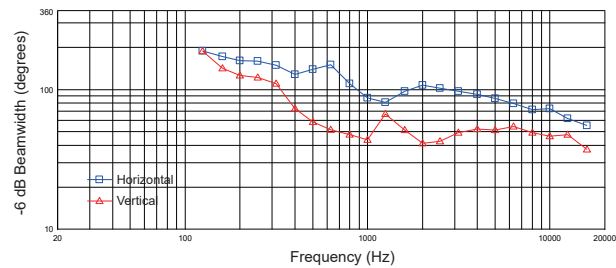
### Dimensions:

Dimensions in mm (in)



### Graphs:

#### Bandwidth vs. Frequency



#### Directivity Index and Directivity Factor

