

JBL GC1

Single 18-Inch High Performance Subwoofer



JBL GC1 18-inch subwoofer features a high-powered 460 mm (18-inch) transducer capable of long excursion, maintaining linear travel and output level even at high power.

The transducer features a Differential Drive® dual voice coil and a magnetic gap neodymium magnet cone.

JBL GC1 supports ground stacking only, with a practical shape for easy stacking and precise cabinet volume for fast low frequency response performance.

JBL GC1 is a compact, powerful subwoofer that provides extended low-frequency response for high-performance point source speakers.

KEY MESSAGES ■

System Solution

JBL GC1 features practical design. For example, the double-layer feet to meet the needs of fixed installations; tilting connector box allows it to fit closely to the wall without having to reserve space for cable installation; the top of the speaker is reserved for pole mounting base, which can be combined with high performance point source speakers to provide low frequency response; supports for stacking applications, either horizontally or vertically.

Performance

JBL GC1 woofer features ultra-low frequency response, patented Differential Drive® dual voice coil and magnetic gap neodymium magnet cone technology, designed to provide accurate ultra-low frequency coverage to meet demanding applications.

Structure Innovations

The GC Series features a unique structural innovation that distinguishes it from traditional single voice coil woofers by using dual voice coil and magnetic gap neodymium magnet cone transducer technology. The structure of the cabinet is redefined according to the characteristics of the low-frequency unit, reducing non-linear distortion and improving low-frequency dynamic response.

HIGHLIGHTS ■

JBL Transducers

JBL GC1 is a compact, powerful subwoofer that features JBL 18-inch woofer. The woofer employs unique dual voice coil and neodymium magnets and Differential Drive® technology to deliver better heat dissipation, light weight, extra-long excursion, and lower low frequency performance than conventional single-coil designs.

High Performance

GC1 features JBL 18-inch dual voice coil woofer design, which redefines the internal structure of the cabinet. The cabinet uses "Baltic" birch wood panels to maintain high power, high dynamics and ultra-low frequency output, making it ideal for top venues requiring advanced low-frequency response.

Durable and Reliable

With more than 70 years of acoustic technology and rigorous testing standards, JBL GC1 loudspeaker maintains the acoustic characteristics of high output and high dynamics, but also has a durable and reliable performance.

FEATURES ■

Flexible Installation

JBL GC1 provides pole mounting base for mounting point source speaker as a full sound system, and tilting connector panel allowing close wall installation.

Appearance and Durability

Featuring aesthetically dynamic physical appearance, JBL GC1 provides smooth even Duraflex™ finish. The subwoofer has powerful output and accurate ultra-low frequency coverage despite its compact size. With more than 70-year acoustic design experience, JBL GC1 subwoofer offers high dynamics and ultra-low frequency output, and it is reliable.

TECHNICAL SPECIFICATIONS ■

System	Single 18-Inch-High Performance Subwoofer
Frequency Range (-10 dB) ¹ :	36 Hz – 500 Hz
Frequency Response (±3 dB) ¹ :	42 Hz – 150 Hz
System Sensitivity (1w @ 1m) ¹ :	101 dB
Impedance:	8 ohms
Maximum SPL ² :	133 dB continuous average (145 dB peak)
Power Rating ³ : (Continuous/Program/Peak)	1800 W / 3600 W / 7200 W
Transducers	
LF Driver:	1 x 18"; 460 mm (18 in) diameter; 100 mm (4 in) dual-coil, dual-gap neodymium Differential Drive® VGC™ driver
Physical:	
Enclosure:	18 mm birch plywood, fitted with handles at each side
Finish:	Duraflex finish
Grille:	1.8 mm thick with acoustically transparent black cloth backing
Input Connector:	NL4 Neutrik Speakon®
Pin Assignments:	Low Frequency: 1+, 1-
Dimensions (H x W x D):	550 mm x 750 mm x 756 mm
Net Weight:	57.6 Kg

Footnotes:

- 1: Measurement conducted under half-space (2π) conditions.
- 2: Peak, unweighted SPL, measured under half-space conditions at 1 meter using broadband pink noise with a 12dB crest factor.
- 3: Testing conducted for 2 hours under pink noise with a crest factor of 6 dB, in accordance with IEC standards.

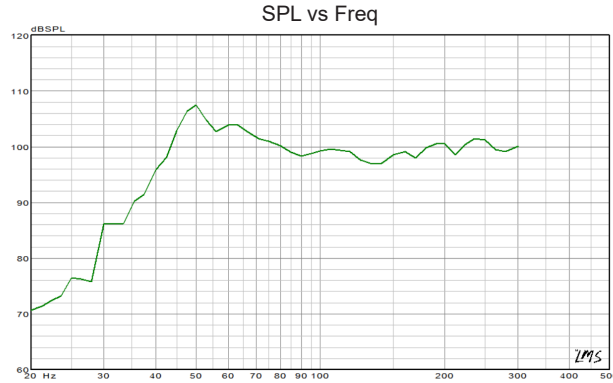
JBL is consistently dedicated to product updates. It integrates new materials, manufacturing processes, or improved designs into existing products without additional notifications. As a result, some of the current JBL products may differ from the descriptions provided in product literature. Unless otherwise stated, these updated products perform equivalently or surpass the original designs in terms of performance or specifications.

JBL GC1

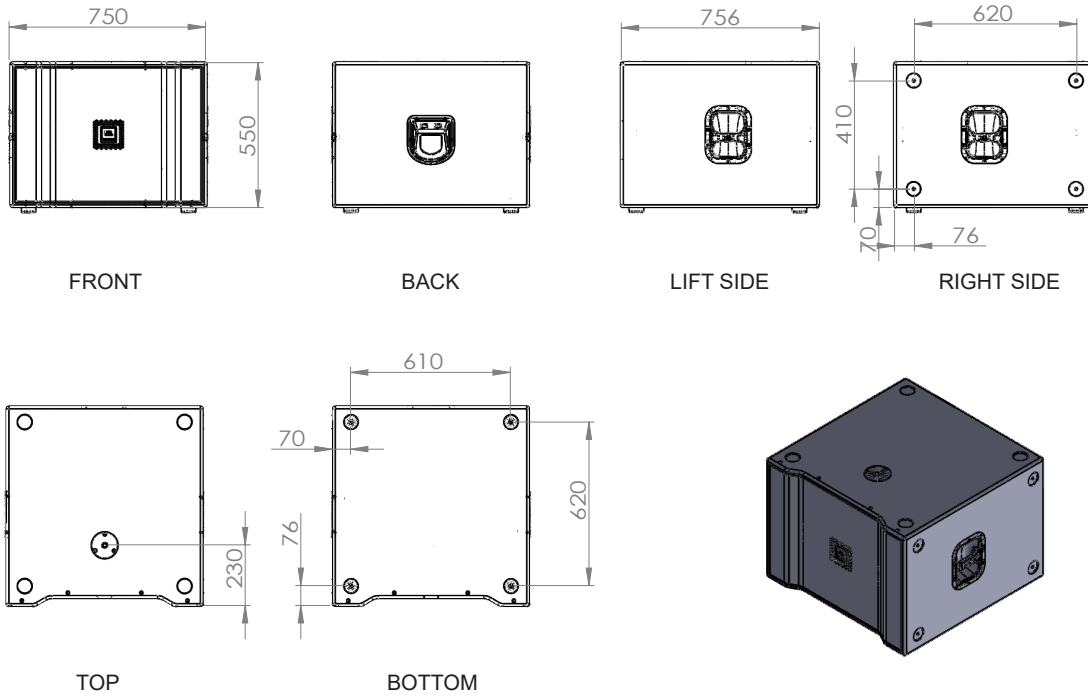
Single 18-Inch High Performance Subwoofer



Frequency response ■



Engineering drawings ■



- ▭ : Plastic pad
- ▴ : Rubber pad

Note: Default delivery with both plastic and rubber foot pads pre-installed. For stacking application, rubber pads of the top subwoofer can be removed for easy stacking.