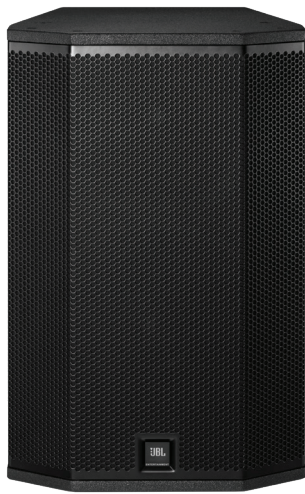


JBL Dynamic Tonal | DNT2

12-Inch Full-Range Speaker



Highlights

JBL Compression transducers

JBL DNT2 full-range speaker features the advanced JBL 2408H-1 neodymium voice coil compression driver, delivering the distinctive JBL signature sound, with an output power of 500W, ensuring deep and resonant bass output. It redefines sound to perfectly suit dancing, singing, and DJing.

Durable and Reliable

JBL DNT2 full-range speaker undergoes rigorous stimulation test and evaluation. It incorporates a "Hardwire" design robust crossover board with Fiber material construction, which can withstand the heat produced during high-power playback, thus ensuring consistent performance over prolonged periods of use.

High Performance

Built with durable plywood, JBL DNT2 eliminates cabinet resonance and improves low frequency response, guaranteeing reliable performance and delivering exceptional sound reproduction. The SonicGuard™ protects high frequency driver from excessive power without interrupting the performance, resulting in a smooth and continuous sound output.

Product Review

JBL DNT2 full-range speaker is a positive solution specially designed for parties and KTV rooms. It allows users to seamlessly switch to singing while music is playing, all the while ensuring an immersive "Hi-Fi" experience.

With over 70 years of experience in speaker design, JBL DNT2 full-range speaker adopts an innovative and durable crossover board with "Hardwire" design who abundant high-quality capacitors, guaranteeing exceptional sound reproduction and providing users with smooth, crystal-clear audio experience.

JBL DNT2 features the same structural that sets it from conventional KTV speakers. Its main speaker boasts a back-loaded ventilation design, which optimizes low frequency delivery by from the back wall reflection. ensures uninterrupted and robust performance.

JBL DNT2 is designed with multi-purpose mounting points and features a rotatable logo, allowing for both vertical and horizontal installations to cater to different mounting preferences. In addition, JBL DNT2 is pole-mount ready, ensuring easy mounting for shot-out competitions.

Features

- ▶ **Stable and Safe**
Ensure the safety factor of each lifting point, as well as the heat and pressure resistance characteristics of the speaker unit, so that it can be used normally for a long time.
- ▶ **Back-loaded Ventilation**
Allow the speaker to achieve deep low frequency output and from the back wall reflection.
- ▶ **Endurable Cross-overboard**
"Hardwire" design who abundant high-quality capacitors in the cross-overboard contribute to exceptional sound reproduction, resulting in clear and precise audio output.
- ▶ **High-pitched protection**
SonicGuard™ protects high frequency driver from excessive power without interrupting the performance.
- ▶ **Flexible Installation**
Multi-purpose mounting points support vertical and horizontal installation to cater to different mounting preferences.
- ▶ **Rotatable JBL Logo**
Support both horizontal and vertical installation.

Specification

System Type	JBL DNT2 12" Full-Range Speaker
Frequency Range (-10 dB) ¹ :	45 Hz - 22 kHz
Frequency Response (±3 dB) ² :	80 Hz - 20 kHz
Coverage:	70° × 60° (H × V)
System Power Rating: (continuous/music/peak)	500 W / 1000 W / 2000 W
Maximum SPL (1m) ³ : (measured)	125 dB (137 dB peak)
System Sensitivity (4π):	98 dB
Nominal Impedance:	8 ohms
Transducers	
LF Driver:	1*12" (305 mm) woofer
HF Driver:	JBL 2408H-1
Appearance	
Cabinet Structure:	15 mm plywood
Finish:	Duraflex finish
Grille:	High-gloss grille surface
Input Connector:	NL4 Neutrik Speakon® in parallel for loop-thru
Dimensions (H × W × D):	586.98 × 430.36 × 375.00 mm
Net Weight:	21.1 kg

Footnotes:

1: Measurement conducted under full-space (4π) conditions.

2: The maximum sound pressure level is calculated based on rated power.

3: Testing conducted for 2 hours under pink noise with a crest factor of 12 dB, in accordance with IEC standards.

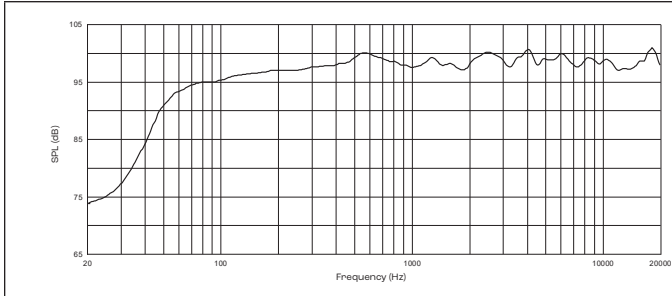
JBL is consistently dedicated to product updates. It integrates new materials, manufacturing processes, or improved designs into existing products without additional notifications. As a result, some of the current JBL products may differ from the descriptions provided in product literature. Unless otherwise stated, these updated products perform equivalently or surpass the original designs in terms of performance or specifications.

JBL Dynamic Tonal | DNT2

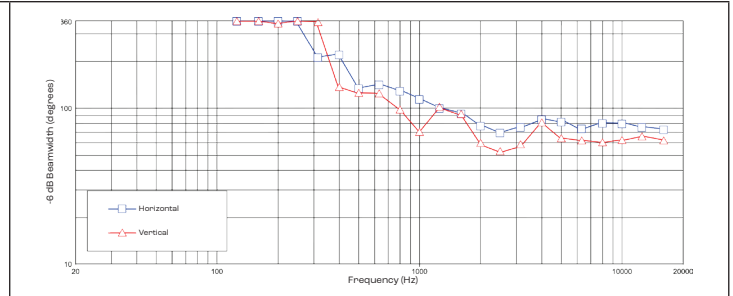
12-Inch Full-Range Speaker



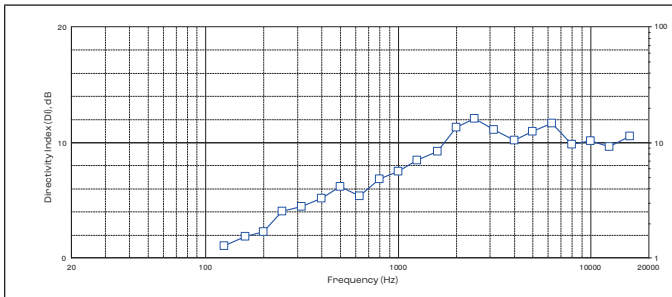
Frequency Response:



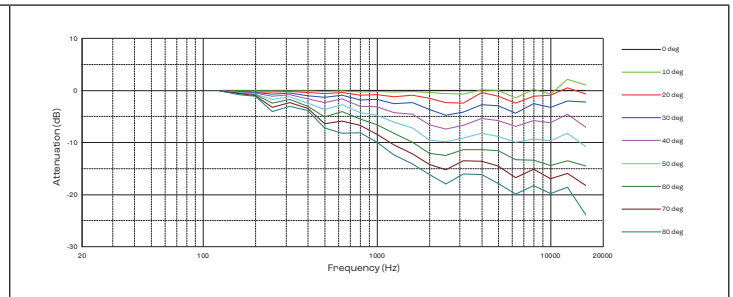
Beamwidth:



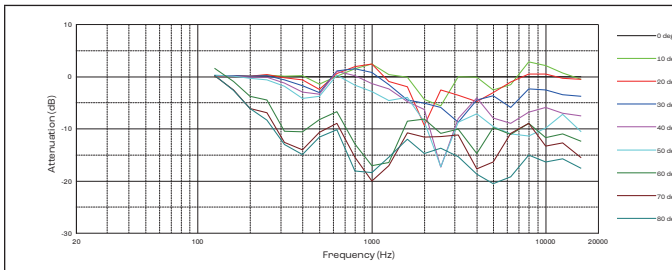
Directivity Index:



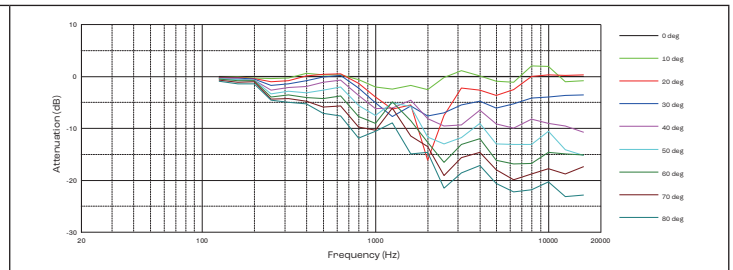
Horizontal off-axis frequency response:



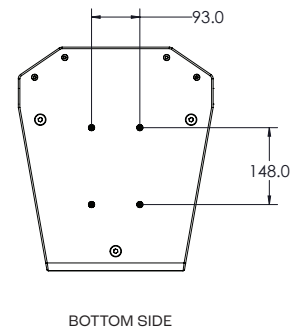
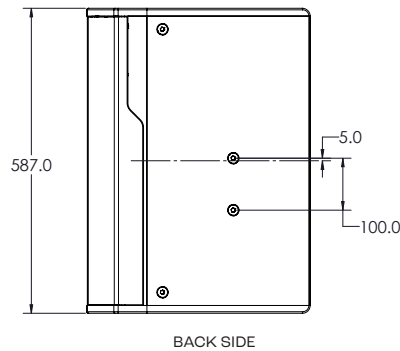
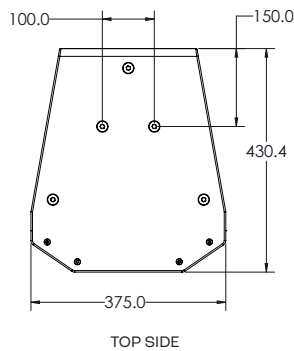
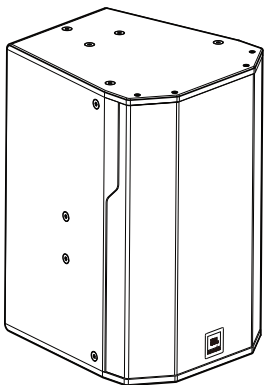
Vertical Down off-axis frequency response:



Vertical Up off-axis frequency response:



Dimensions (in mm)



HARMAN Professional 8500 Balboa Blvd. Northridge, CA 91329 USA

© 2022 HARMAN International Industries, Incorporated. All rights reserved. Features, specifications and appearance are subject to change without notice.

www.jblpro.com

Release date: 2025/10