

# Professional Series Line Matching Transformers



## Model 9308 Line Matching Transformer

The JBL Model 9308 is a versatile, wide-band matching transformer used to connect 4-ohm, 8-ohm, or 16-ohm loudspeakers to a 70-volt audio line. Primary power taps are provided at 1, 2, 4, and 8 watts. The 200 mm (8-inch) wire leads permit convenient connections. The frequency response of the 9308 is 30 Hz to 15 kHz,  $\pm 1$  dB, and total harmonic distortion is less than 1% in any configuration.

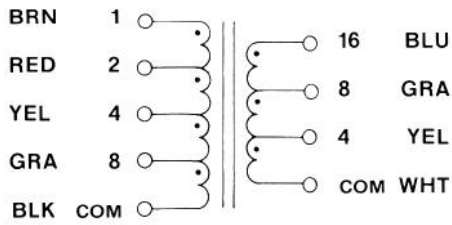


## Model 9375 Line Matching Transformer

A 100-watt, wide-band autotransformer, the Model 9375 is designed for matching and balancing components in JBL professional speaker clusters. The 9375 allows matching 4-ohm, 8-ohm, 16-ohm, and 32-ohm loads in any combination; as an example, it may be used to match two 16-ohm high frequency drivers to a 16-ohm network. Frequency response is 30 Hz to 16 kHz,  $+0, -1$  dB, and total harmonic distortion is less than 1% in any configuration.



### 9308 Schematic



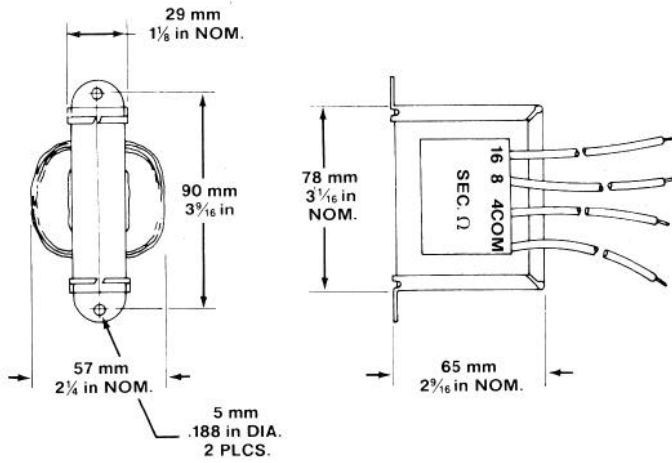
PRIMARY  
(WATTS)

SECONDARY  
(IMPEDANCE  
IN OHMS)

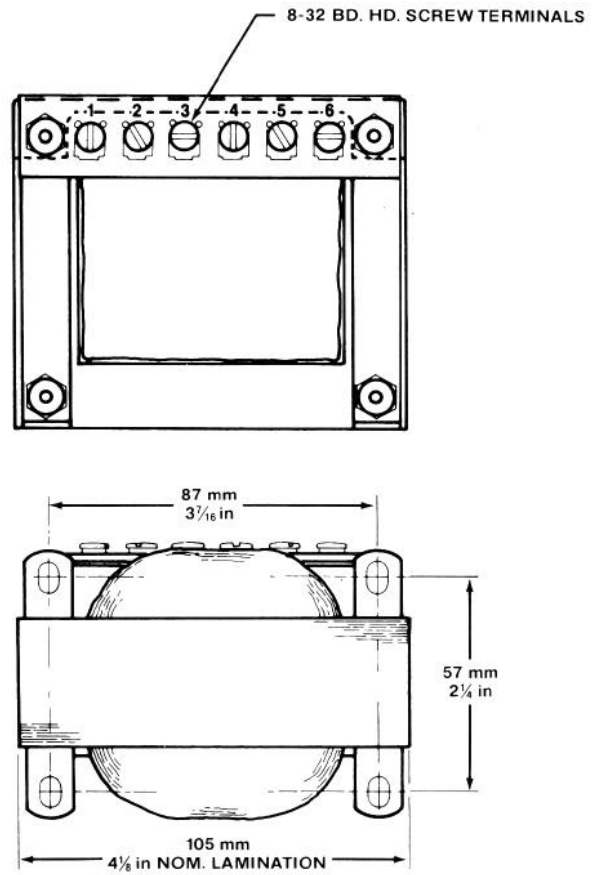
### Specifications

9308	
Power Level	8 W at 70.7 V
Insertion Loss	0.5 dB maximum
Frequency Response	30 Hz to 15 kHz, $\pm 1$ dB, all taps, at rated power and load
9375	
Power Level	100 W at less than 1% THD, 30 Hz - 16 kHz 200 W at less than 2% THD, 500 Hz - 16 kHz
Insertion Loss	0.3 dB maximum, mid-band 1 dB maximum, 30 Hz - 16 kHz at 100 W
Power Response (100 W)	30 Hz - 16 kHz, +0, -1 dB

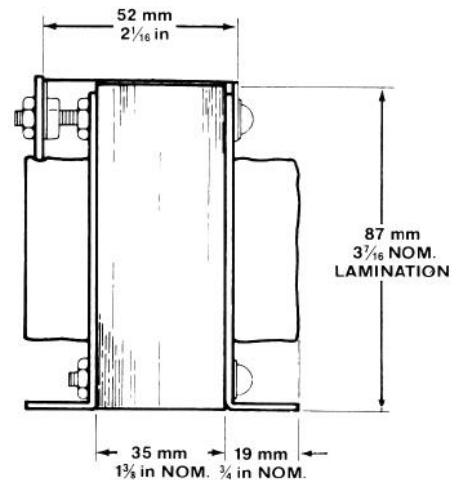
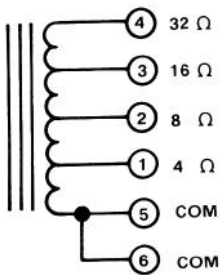
### 9308 Dimensions



### 9375 Dimensions



### 9375 Schematic



Professional Division

James B. Lansing Sound, Inc., 8500 Balboa Boulevard, Northridge, California 91329 U.S.A.

58023 PPB9308-9375/8-78 Printed in U.S.A.