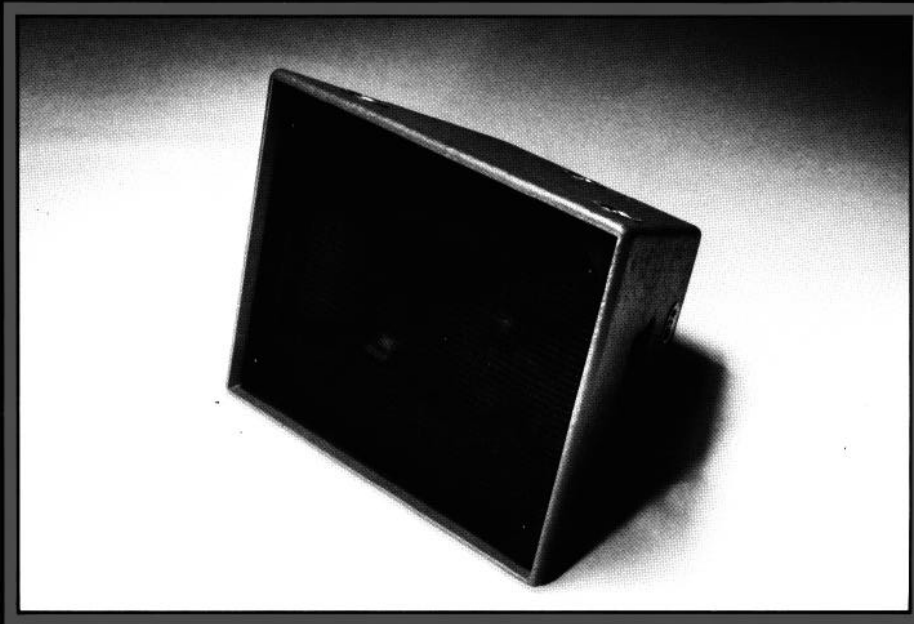


4860

HF & HF/VHF SYSTEM FAMILY



FEATURES:

Concert-proven componentry and design configurations

Rugged fiberglass-reinforced construction and recessed handles for touring sound reinforcement applications

Top, bottom and sides taper inward to enable clusters to wrap horizontally and vertically around a point for coherent wide angle coverage

8 certified steel-reinforced aircraft-type hanging points

60 and 90 degree horizontal coverage versions in HF and HF/VHF configurations

The 4860 family of modular HF and HF/VHF systems are designed as companion units to the 4847 LF system and 4870 family of full-range systems.

HF only models (4860, 4862) consist of a 4 inch diaphragm compression driver mounted to a Flat-Front Bi-Radial™ horn. HF/VHF models (4861, 4863) employ dual Bi-Radial™ Constant-Coverage compression VHF transducers in addition to the HF devices. Both types are available in either 90 degree (4860, 4861) or 60 degree (4862, 4863) horizontal coverage versions.

Cabinetry is crafted from void-free birch plywood, coated with virtually indestructible fiberglass reinforced plastic, fitted with handles and 8 steel reinforced aircraft style pan fittings for hanging. Cabinet top, bottom and sides taper inward, front-to-back, at a 15 degree angle to facilitate cluster grouping.

Systems are energized through one EP-8 input

JBL

connector. Two connectors (one each male and female) are installed to enable loop-through wiring for use with other Concert Series systems. The model 4870DL dolly, fitting two systems, is available as an accessory to facilitate handling and cartage.

ARCHITECTURAL SPECIFICATIONS:

4860/4862

The high frequency loudspeaker system shall incorporate a compression driver mounted to a constant coverage high frequency horn.

4860

The system shall meet the following performance criteria: Frequency range: 500 Hz to 20 kHz. Pressure sensitivity: 112 dB/1w/1m. Power capacity: 75 watts continuous sine wave above 800 Hz. Horizontal coverage: 90 degrees between -6 dB points. Vertical coverage 40 degrees between -6 dB points.

4862

The system shall meet the following performance criteria: Frequency range: 500 Hz to 20 kHz. Pressure sensitivity: 114 dB/1w/1m. Power capacity: 75 watts continuous sine wave above 800 Hz. Horizontal coverage: 90 degrees between -6 dB points. Vertical coverage 40 degrees between -6 dB points.

4861/4863

The high frequency/very high frequency loudspeaker system shall incorporate a constant coverage high frequency (HF) horn and two constant coverage very high frequency (VHF) transducers.

4861

The system shall meet the following performance criteria: Frequency range: 500 Hz to 21.5 kHz. Pressure sensitivity: 112 dB/1w/1m (HF), 108 dB/1w/1m (VHF). Power capacity: 75 watts continuous sine wave above 800 Hz (HF), 40 watts continuous sine wave above 7 kHz (VHF). Horizontal coverage: 60 degrees between -6 dB points. Vertical coverage: 40 degrees between -6 dB points.

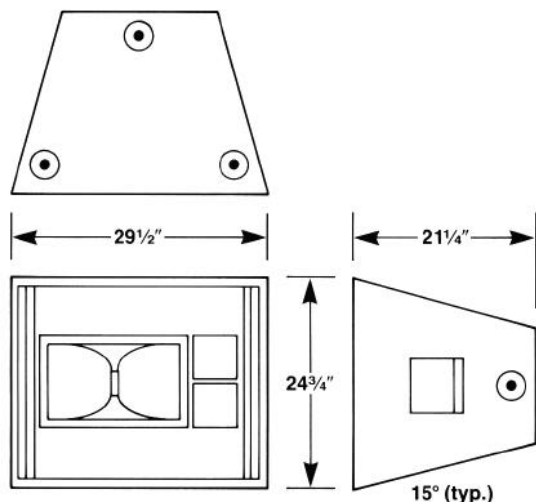
4863

The system shall meet the following performance criteria: Frequency range: 500 Hz to 21.5 kHz. Pressure sensitivity: 114 dB/1w/1m (HF), 108 dB/1w/1m (VHF). Power capacity: 75 watts continuous sine wave above 800 Hz (HF), 40 watts continuous sine wave above 7 kHz (VHF). Horizontal coverage: 60 degrees between -6 dB points. Vertical coverage: 40 degrees between -6 dB points.

All

The cabinet shall be constructed of void-free birch plywood, stiffened internally and coated with fiberglass reinforced plastic. All exposed corners shall be rounded for damage resistance. Aircraft-type hanging fixture attachment points shall be installed through the cabinet to internal steel reinforcement plates. Eight hanging points shall be provided. Each hanging point shall have a load rating of 2000 lbs. at 90 degrees to the fitting. Cabinet top, bottom and sides shall taper inward, front-to-back, at a 15 degree angle to facilitate cluster grouping.

The loudspeaker system shall be the JBL Concert Series model (Select 4860/4861/4862/4863).



SPECIFICATIONS:

Models 4860/4862	
Components:	1-JBL 2380 Flat-Front Bi-Radial™ horn (4860) 1-JBL 2385 Flat-Front Bi-Radial™ horn (4862) 1-JBL 2445J compression driver
System Type:	Modular high frequency component loudspeaker system
Frequency range: (-10 dB)	500 Hz to 20 kHz
Frequency Response: (± 3 dB)	800 Hz to 16 kHz
Pressure sensitivity:	112 dB, 1w, 1m (4860) 114 dB, 1w, 1m (4862)
Power Capacity ¹ :	150 watts continuous program
Coverage angles (-6 dB points, nom):	90 degrees horizontal (4860) 60 degrees horizontal (4862) 40 degrees vertical
Maximum SPL (1m, continuous pgm.):	132 dB (4860) 134 dB (4862)
Nominal impedance:	16 ohms

Models 4861/4863	
Components:	1-JBL 2380 Flat-Front Bi-Radial™ horn (4861) 1-JBL 2385 Flat-Front Bi-Radial™ horn (4863) 1-JBL 2445J compression driver 2-JBL 2404H Constant-Coverage Bi-Radial™ high frequency transducers
System type:	Modular high frequency/very high frequency component loudspeaker system
Frequency range: (-10 dB)	500 Hz to 21.5 kHz
Frequency response: (± 3 dB)	800 Hz to 19 kHz
Pressure sensitivity:	HF: 112 dB, 1w, 1m (4861) HF: 114 dB, 1w, 1m (4863) VHF: 108 dB, 1w, 1m
Power capacity ¹ :	HF: 150 watts continuous program VHF: 80 watts continuous program
Coverage angles (-6 dB points, nom):	90 degrees horizontal (4861) 60 degrees horizontal (4863) 40 degrees vertical
Maximum SPL (1m, continuous pgm.):	132 dB (4861) 134 dB (4863)
Nominal impedance:	HF: 16 ohms VHF: 16 ohms

All

Connectors:	ITT Cannon EP-8 type, one each male and female
Dimensions:	63 cm (24 3/4 in) H 75 cm (29 1/2 in) W 54 cm (21 1/4 in) D
Weights:	4860, 4862: 48 kg (105 lbs) 4861, 4863: 52 kg (115 lbs)
Finish:	Dark gray impregnated fiberglass-reinforced plastic, black nylon protective grill

¹ Continuous program power is defined as 3 dB greater than continuous sine wave power and is a conservative expression of the transducer's ability to handle typical speech and music program material.

JBL continually engages in research related to product improvement. New materials, production methods, and design refinements are introduced into existing products without notice as a routine expression of that philosophy. For this reason, any current JBL product may differ in some respect from its published description but will always equal or exceed the original design specifications unless otherwise stated.

JBL