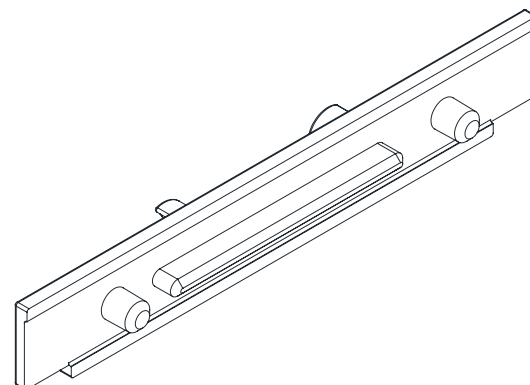


## VTX-V25-CS-K-LJ | Label Jig for VTX-V25-CS-K

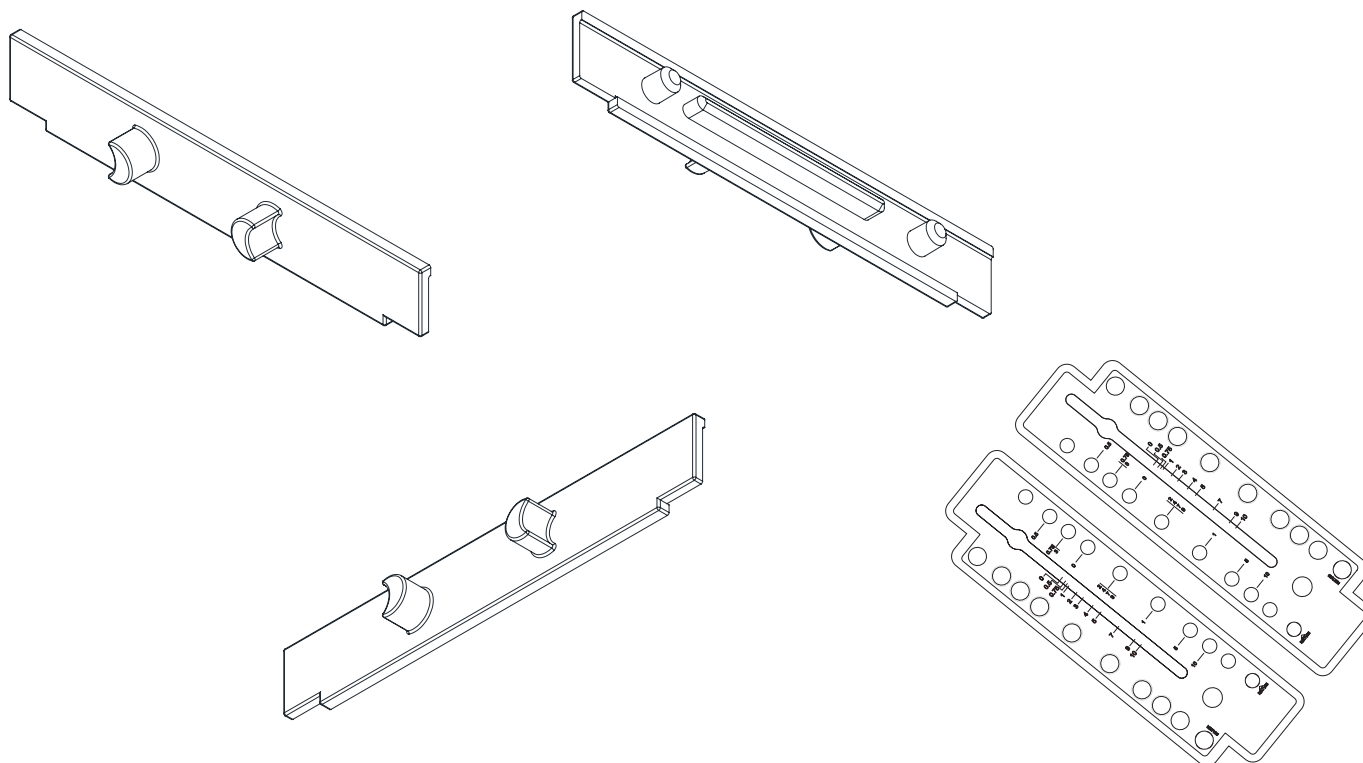
### Features:

- Label jig to ensure proper placement of suspension frame labels
- Works with rigging upgrade kit for VTX V25-II systems
- Includes 2x extra labels
- At least one label jig installation fixture should be ordered per VTX-V25-CS-K order



### Description:

Compression Suspension Kit Label Jig to ensure proper placement, alignment and adhesion when installing labels.



### Included:

- 2x spare labels
- 1x label jig installation fixture
- 1x detailed instructions