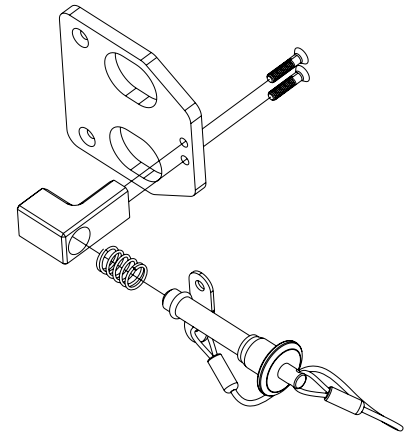


VTX-LZ-V20-MB | Laser Mount Bracket for VTX V20

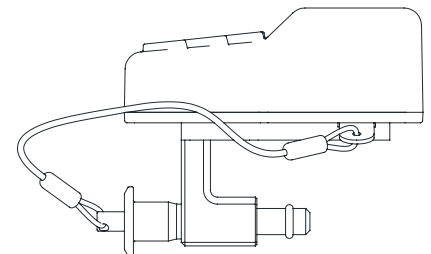
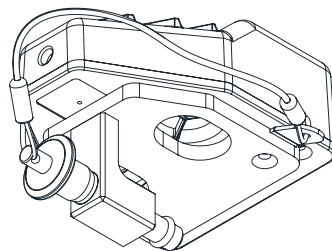
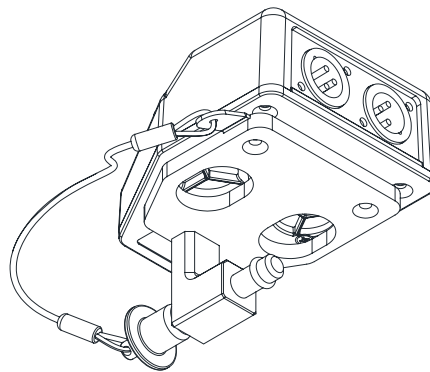
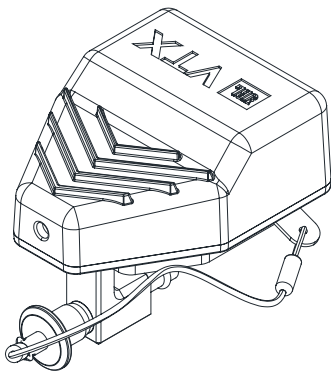
Features:

- Mount bracket to attach VTX-LZ to VTX V20
- Spring-loaded, self-leveling attachment feature for accurate aiming
- All captive part design
- VTX-LZ and VTX-LZ-PS sold separately



Description:

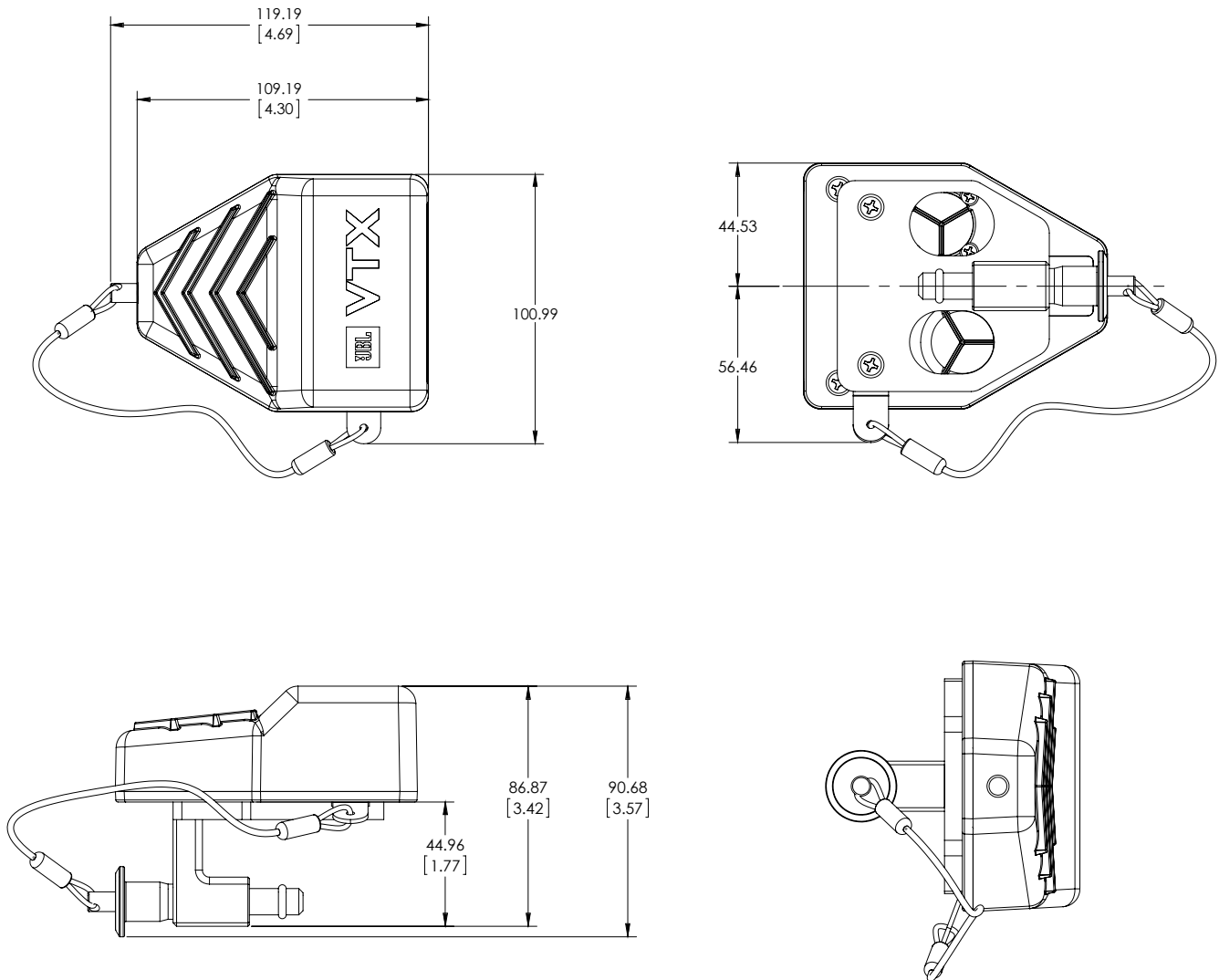
The VTX-LZ-V20-MB mount bracket has been designed to securely attach VTX-LZ units to VTX V20 line array systems. When properly mounted on a VTX line array system, the VTX-LZ laser provides a visual reference to confirm on-axis vertical site angle aiming (focus) of the array. Coverage simulations based on JBL Line Array Calculator II software (LAC-II) indicate the desired location where the laser should aim and the VTX-LZ laser provides visual confirmation to assist with actual installation in the field. The VTX-LZ-V20-MB can be attached to either the left or right side of a V20 enclosure.



Included:

- 1 x VTX-LZ-V20-MB
- 1 x Quick Release Pin with lanyard

Dimensions:



Specifications:

VTX-LZ / VTX-LZ-V20-MB

Construction: Black ABS and Aluminum

Laser Color: Green

Connectors: Neutrik 3-Pin XLR

Dimensions (H x W x D): 100.99 mm x 119.19 mm x 90.68 mm
(3.97 in x 4.69 in x 3.57 in)

Net Weight MB: 0.15 kg (0.33 lbs)
Net Weight MB + LZ: 0.39 kg (0.86 lbs)