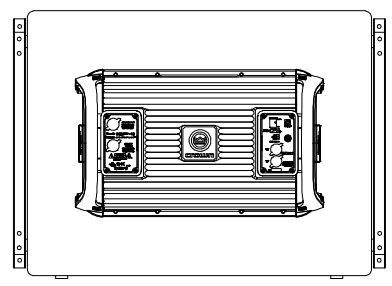
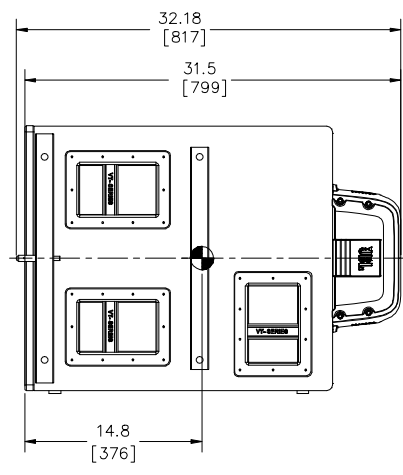
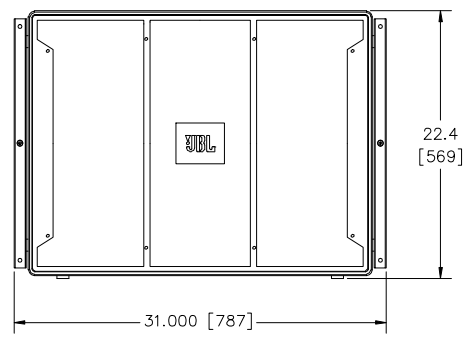
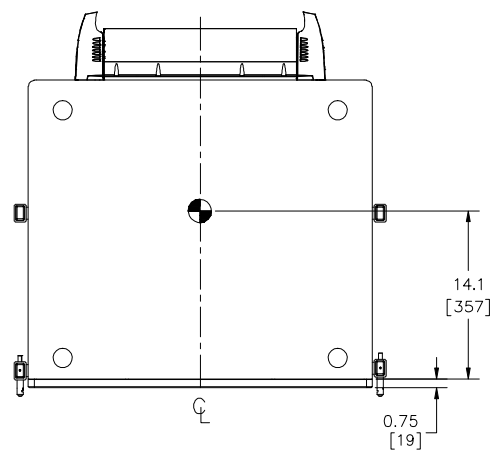


8 7 6 5 4 3 2 1

THESE DRAWINGS AND SPECIFICATIONS ARE THE PROPERTY OF JBL INCORPORATED THEY ARE ISSUED IN STRICT CONFIDENCE, AND SHALL NOT BE REPRODUCED, COPIED, OR USED AS THE BASIS FOR MANUFACTURING OR SALE OF APPARATUS WITHOUT WRITTEN PERMISSION.

ALL MATERIAL SPECIFIED ON THIS DRAWING SHALL COMPLY WITH EUROPEAN DIRECTIVE 2002/95/EC. **RoHS**

REVISIONS						
CHG	LTR	DESCRIPTION	DRFT	CHK	DATE	APPR
31871	A	RELEASE FOR MARKETING	YT		4/12/06	BW
36232	B	REV CG LOCATION				



1. COMPONENTS: LF - 2269G
2. INPUT/OUTPUT CONNECTORS: MALE-XLR / FEMALE-XLR (ELECTRICALLY IN PARALLEL)
3. GRILLE 16GA PERFORATED CRS, POWDERCOATED BLACK, BLACK FOAM BACKING.
4. MATERIALS: 18MM ALL BIRCH PLYWOOD AND 18MM LITE-PLY.
5. FINISH: BLACK DURAFLEX.
6. SUSPENSION SYSTEM: JBL PROPRIETARY HINGE-BARS, BALL LOCK PINS AND RIGGING FRAMES.
7. WEIGHT: 63 KG (138 LBS)
8. CENTER OF GRAVITY (CG)

NOTES: (UNLESS OTHERWISE SPECIFIED)

TOLERANCES <small>(UNLESS OTHERWISE SPECIFIED)</small> XXXX ± 0.031 INCH XXX ± 0.063 INCH XX ± 0.125 INCH ANGULAR ± 30°		JBL Professional <small>A Harman International Company</small> <small>Norridge, California 91309, U.S.A.</small>	
TITLE CUSTOMER DWG - VT4881ADP			
REV D	DRAWING NO. 362894	REV B	SCALE 1:10
• ALL DIMENSIONS ARE FINISHED DIMENSIONS • DO NOT SCALE DRAWING		SHEET 1 OF 1	