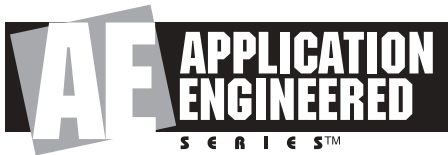




# AM6200/95 High Power Mid-High Frequency Loudspeaker with Rotatable Horn



## Key Features:

- ▶ 90° x 50° Coverage, rotatable for use in either vertical or horizontal orientation.
- ▶ CMCD™ Cone Midrange Compression Driver provides low midrange distortion, increased sensitivity, extended bandwidth and improved phase coherency.
- ▶ PT™ Progressive Transition Waveguide for excellent pattern control with low distortion.
- ▶ Bi-Amp/Passive Switchable.
- ▶ Optional planar array frame kits for a number of array configurations (see AE Series Array Guide).

## Applications:

Use with LF and/or subwoofer reinforcement in applications such as:

- ▶ Performing arts facilities
- ▶ Theatrical sound design
- ▶ Auditoriums
- ▶ Houses of worship
- ▶ Live clubs
- ▶ Dance-clubs/discotheques
- ▶ Sports facilities
- ▶ Themed entertainment venues

Use without LF or subwoofer reinforcement in:

- ▶ Voice-only PA
- ▶ Delay fill applications

AM6200/95 is a high power mid-high frequency loudspeaker system comprised of one 200 mm (8 in) CMCD Cone Midrange Compression Driver and one 38 mm (1.5 in) exit/75 mm (3 in) voice-coil HF compression driver. The multi-band PT Progressive Transition mid-high frequency waveguide provides well-controlled 90° by 50° coverage and is rotatable for cabinet positioning in either horizontal or vertical orientation. High-slope crossovers minimize band overlap and well-controlled off-axis response enhances arrayability.

The cabinet is fitted with M10 threaded suspension points. Pre-engineered array bracketry is available.

AM6200/95 is part of JBL's AE Application Engineered Series, a versatile family of loudspeakers for a wide variety of fixed installation applications.



## Specifications:

<b>System:</b>	
Frequency Range <sup>1</sup> (-10 dB):	200 Hz – 19 kHz
Frequency Response <sup>1</sup> (±3 dB):	250 Hz – 17 kHz
Coverage Pattern:	90° x 50°, rotatable waveguide
Directivity Factor (Q):	10
Directivity Index (DI):	10 dB
Crossover Modes:	Bi-amp/Passive switchable
Passive Crossover Slopes <sup>2</sup> :	Passive mode: 4th order (24 dB/oct) Linkwitz-Riley HP & LP, 2.1 kHz
Transducer Power Rating (AES) <sup>3</sup> :	MF: 350 W (1400 W peak), 100 hrs HF: 75 W (300 W peak), 2 hrs
Long-Term System Power Rating (IEC) <sup>4</sup> :	MF/HF: 350 W (1400 W peak), 100 hrs
Maximum SPL <sup>5</sup> :	Bi-amp mode: MF: 133 dB-SPL cont avg (139 dB peak) HF: 132 dB-SPL cont avg (138 dB peak) Passive mode: MF/HF: 132 dB-SPL cont avg (138 dB peak)
System Sensitivity (1W @ 1m):	Passive mode: 108 dB SPL
<b>Transducers:</b>	
Midrange Driver:	JBL CMCD-81H Cone Midrange Compression Driver with integral 200 mm (8 in) diameter Differential Drive® dual voice-coil internal driver
Nominal Impedance:	8 ohms
Sensitivity (1W @ 1m):	108 dB SPL
High Frequency Driver:	JBL 2431H, 38 mm (1.5 in) exit compression driver, 75 mm (3 in) voice coil
Nominal Impedance:	8 ohms
Sensitivity (1W @ 1m):	113 dB SPL
Waveguide:	PT-K95MH
<b>Physical:</b>	
Enclosure:	Trapezoidal with 15 degree side angles, 16 mm (5/8 in) exterior grade 11-ply Finnish birch plywood
Suspension Attachment:	13 points (3 top, 3 bottom, 2 each side, 3 rear), M10 threaded hardware
Finish:	Black DuraFlex™ finish. White available upon request.
Grille:	Powder coated 14 gauge perforated steel, with acoustically transparent black foam backing.
Input Connector:	NL4 Neutrik Speakon® and CE-compliant covered barrier strip terminals. Barrier terminals accept up to 5.2 sq mm (10 AWG) wire or max width 9 mm (.375 in) spade lugs. Speakon in parallel with barrier strip for loop-through.
Environmental Specifications:	Mil-Std 810; IP-x3 per IEC529.
Dimensions (H x W x D in vertical cabinet orientation):	548 x 561 x 657 mm (21.6 x 22.1 x 25.9 in)
Net Weight:	29.0 kg (64 lb)
Optional Accessories:	M10 x 35 mm forged shoulder eyebolts with washers Optional planar array frame kit. See AE Series Bracket Guide

<sup>1</sup>Bi-amp mode, with recommended active tuning.

<sup>2</sup>Resultant engineered acoustical response of crossover network and components.

<sup>3</sup>AES standard, one decade pink noise with 6 dB crest factor within device's operational band, free air, long-term 100 hr rating.

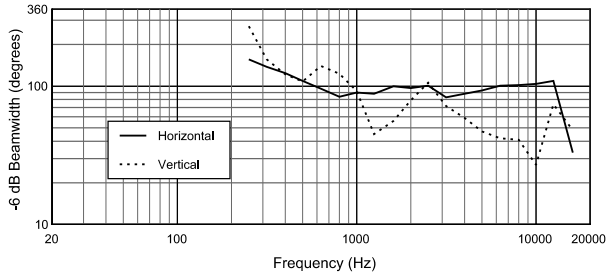
<sup>4</sup>IEC standard, full bandwidth pink noise with 6 dB crest factor, 100 hours.

<sup>5</sup>Calculated based on power rating and sensitivity, exclusive of power compression.

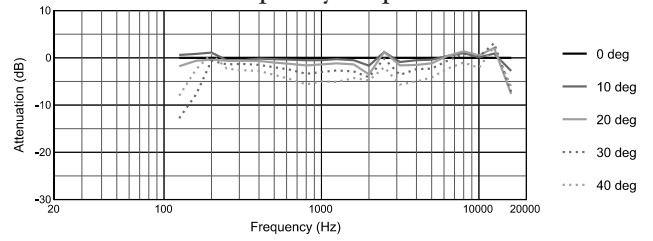
JBL continually engages in research related to product improvement. Changes introduced into existing products without notice are an expression of that philosophy.

# ▶ AM6200/95 High Power Mid-High Frequency Loudspeaker with Rotatable Horn

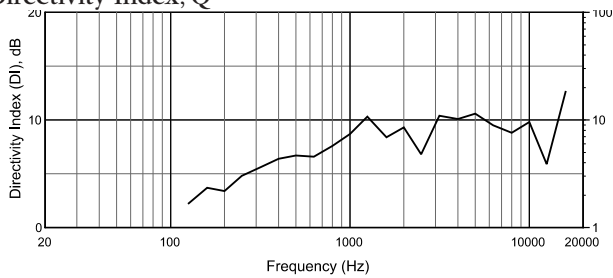
**Beamwidth**



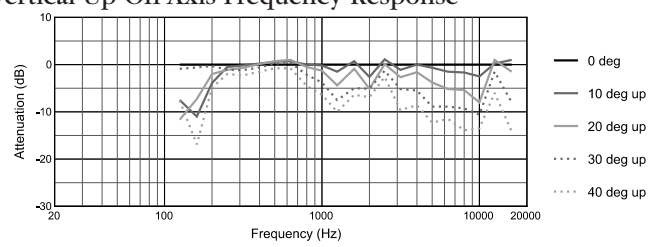
**Horizontal Off-Axis Frequency Response**



**Directivity Index, Q**



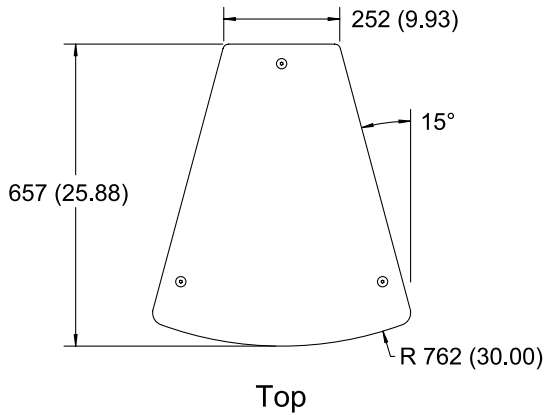
**Vertical Up Off-Axis Frequency Response**



**Dimensions**

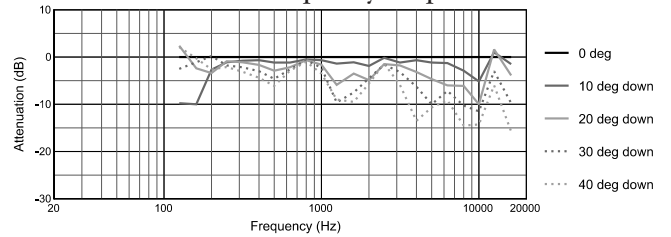
Dimensions in mm (in)

For more detailed dimensional information, refer to Application Data Sheet

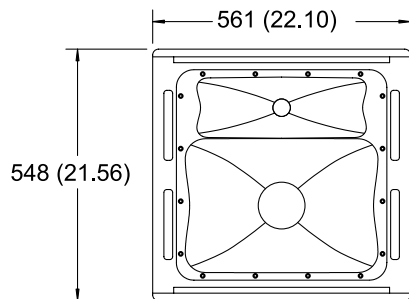


Top

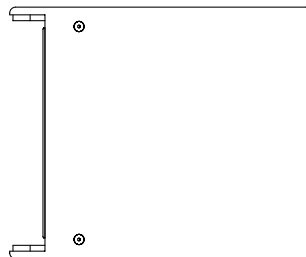
**Vertical Down Off-Axis Frequency Response**



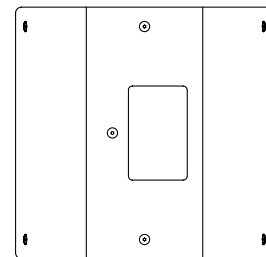
Measurements obtained in full passive crossover mode with no signal processing. Graphs are from unaltered measured data.



Front

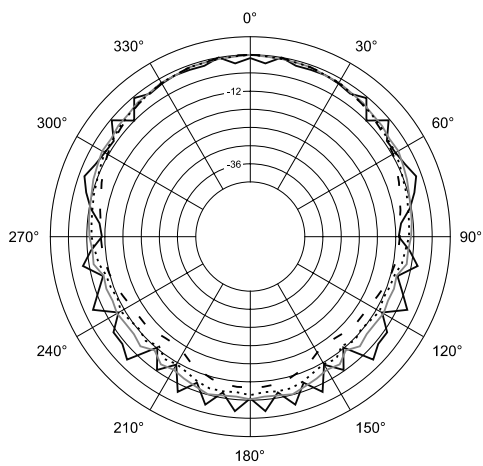


Side

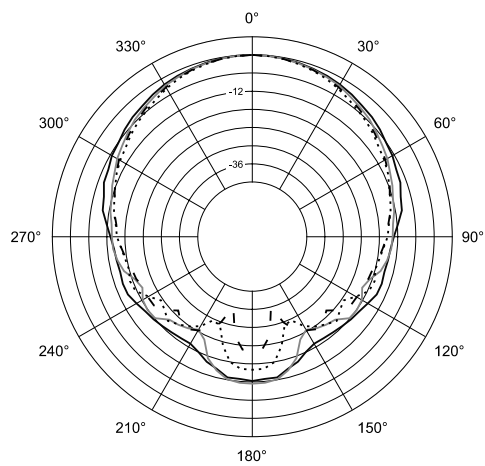


Back

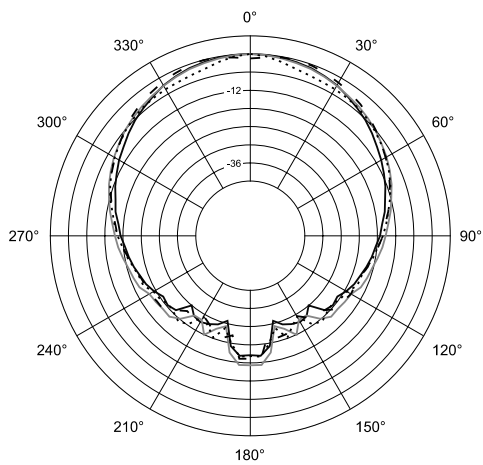
## Horizontal 1/3 Octave Polars



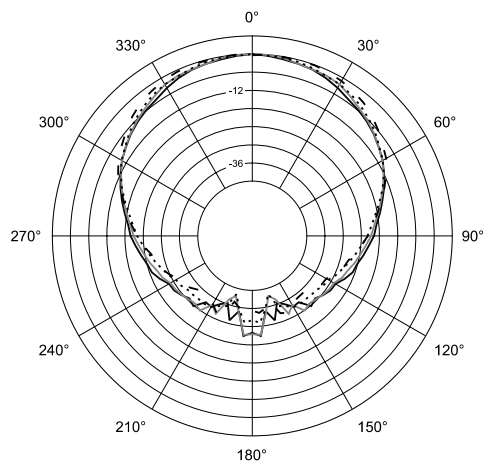
— 200Hz  
 — 250Hz  
 ···· 315Hz  
 - - 400Hz



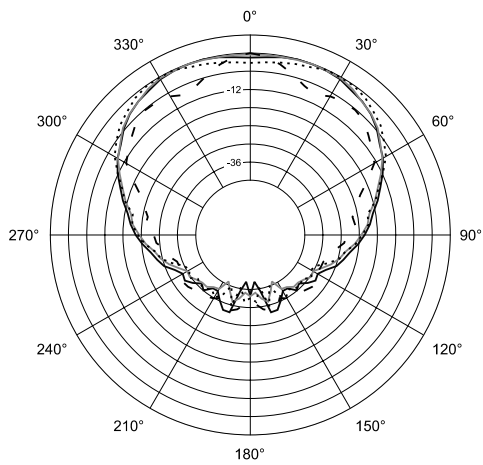
— 500Hz  
 — 630Hz  
 ···· 800Hz  
 - - 1kHz



— 1.25kHz  
 — 1.6kHz  
 ···· 2kHz  
 - - 2.5kHz



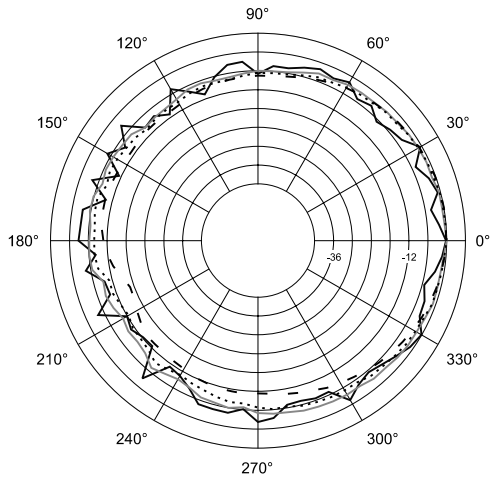
— 3.15kHz  
 — 4kHz  
 ···· 5kHz  
 - - 6.3kHz



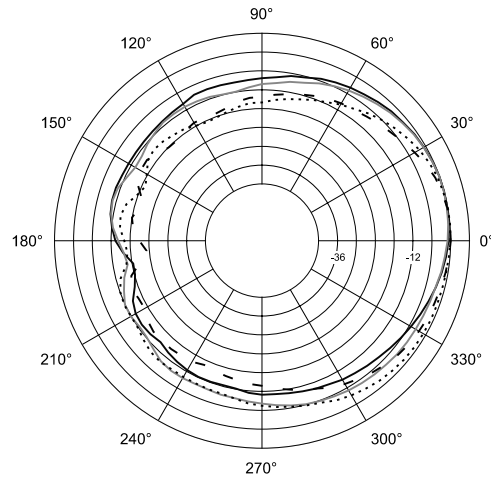
— 8kHz  
 — 10kHz  
 ···· 12.5kHz  
 - - 16kHz

# ► AM6200/95 High Power Mid-High Frequency Loudspeaker with Rotatable Horn

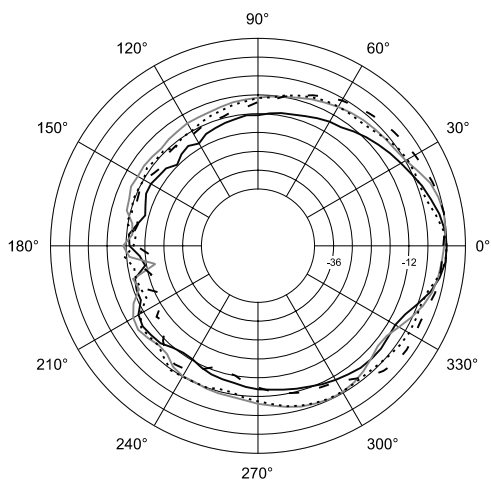
## Vertical 1/3 Octave Polars



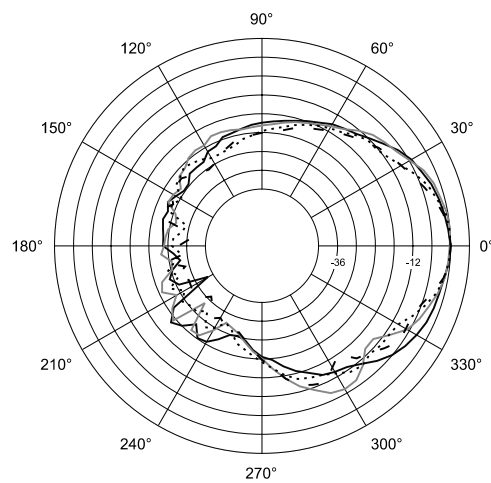
- 200Hz
- 250Hz
- 315Hz
- - 400Hz



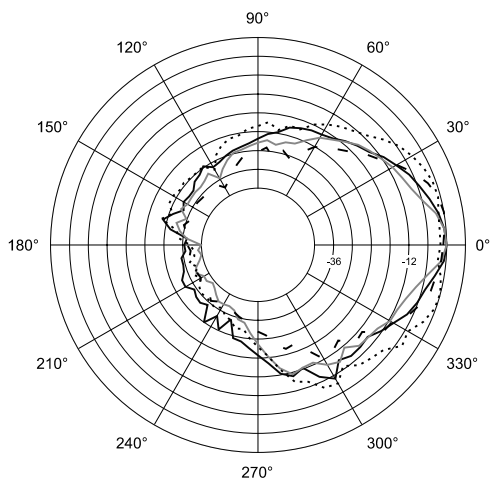
- 500Hz
- 630Hz
- 800Hz
- - 1kHz



- 1.25kHz
- 1.6kHz
- 2kHz
- - 2.5kHz



- 3.15kHz
- 4kHz
- 5kHz
- - 6.3kHz



- 8kHz
- 10kHz
- 12.5kHz
- - 16kHz



JBL Professional  
 8500 Balboa Boulevard, P.O. Box 2200  
 Northridge, California 91329 U.S.A.

■ A Harman International Company  
 © Copyright 2002 JBL Professional

SS AM6200/95  
 CRP 5M  
 10/04