



AM7200/95 High Power Mid-High Frequency Loudspeaker with Rotatable Horn

Professional Series

Key Features:

- ▶ 90° x 50° Coverage, rotatable for use in either vertical or horizontal orientation.
- ▶ CMCD™ Cone Midrange Compression Driver provides low midrange distortion, increased sensitivity, extended bandwidth and improved phase coherency.
- ▶ 2432H High-Frequency Compression Driver
- ▶ PT™ Progressive Transition Waveguide for excellent pattern control with low distortion.
- ▶ Bi-Amp/Passive Switchable.
- ▶ Optional planar array frame kits for a number of array configurations (see AE Series Array Guide).

Applications:

Use with LF and/or subwoofer reinforcement in applications such as:

- ▶ Performing arts facilities
- ▶ Theatrical sound design
- ▶ Auditoriums
- ▶ Houses of worship
- ▶ Live clubs
- ▶ Dance-clubs/discotheques
- ▶ Sports facilities
- ▶ Themed entertainment venues

Use without LF or subwoofer reinforcement in:

- ▶ Voice-only PA
- ▶ Delay fill applications

AM7200/95 is a high power mid-high frequency loudspeaker system comprised of one 200 mm (8 in) CMCD Cone Midrange Compression Driver and one 38 mm (1.5 in) exit/75 mm (3 in) voice-coil HF compression driver. The multi-band PT Progressive Transition mid-high frequency waveguide provides well-controlled 90° by 50° coverage and is rotatable for cabinet positioning in either horizontal or vertical orientation. High-slope crossovers minimize band overlap and well-controlled off-axis response enhances arrayability.

The cabinet is fitted with M10 threaded suspension points. Pre-engineered array bracketry is available.

AM7200/95 is part of JBL's AE Application Engineered Series, a versatile family of loudspeakers for a wide variety of fixed installation applications.



Specifications:

System:	
Frequency Range ¹ (-10 dB):	260 Hz – 20 kHz
Frequency Response ¹ (±3 dB):	330 Hz – 18 kHz
Coverage Pattern:	90° x 50°, rotatable waveguide
Directivity Factor (Q):	11
Directivity Index (DI):	10.5 dB
Crossover Modes:	Bi-amp/Passive switchable
Crossover Frequency ² :	2.2 kHz
Transducer Power Rating (AES) ³ :	MF: 350 W (1400 W peak), 2 hrs HF: 100 W (400 W peak), 2 hrs
Long-Term System Power Rating (IEC) ⁴ :	MF/HF: 200 W (800 W peak), 100 hrs
Maximum SPL ⁵ :	Bi-amp mode: MF: 133 dB-SPL cont avg (139 dB peak) HF: 133 dB-SPL cont avg (139 dB peak) Passive mode: MF/HF: 133 dB-SPL cont avg (139 dB peak)
System Sensitivity (1W @ 1m):	Passive mode: 108 dB SPL
Transducers:	
Midrange Driver:	JBL CMCD-82H Cone Midrange Compression Driver with integral 200 mm (8 in) diameter Differential Drive ⁶ dual voice-coil internal driver
Nominal Impedance:	8 ohms
Sensitivity (1W @ 1m):	108 dB SPL
High Frequency Driver:	JBL 2432H, 38 mm (1.5 in) exit compression driver, 75 mm (3 in) voice coil
Nominal Impedance:	8 ohms
Sensitivity (1W @ 1m):	113 dB SPL
Waveguide:	PT-K95MH
Physical:	
Enclosure:	Trapezoidal with 15 degree side angles, 16 mm (5/8 in) exterior grade 11-ply Finnish birch plywood
Suspension Attachment:	13 points (3 top, 3 bottom, 2 each side, 3 rear), M10 threaded hardware
Finish:	Black DuraFlex™ finish. White available upon request.
Grille:	Powder coated 14 gauge perforated steel, with acoustically transparent black foam backing.
Input Connector:	NL4 Neutrik Speakon [®] and CE-compliant covered barrier strip terminals. Barrier terminals accept up to 5.2 sq mm (10 AWG) wire or max width 9 mm (.375 in) spade lugs. Speakon in parallel with barrier strip for loop-through.
Environmental Specifications:	Mil-Std 810; IP-x3 per IEC529.
Dimensions (H x W x D in vertical cabinet orientation):	548 x 561 x 657 mm (21.6 x 22.1 x 25.9 in)
Net Weight:	27.2 kg (60 lb)
Optional Accessories:	M10 x 35 mm forged shoulder eyebolts with washers Optional planar array frame kit. See AE Series Bracket Guide.

¹Passive mode, with recommended active tuning.

²Resultant engineered acoustical response of crossover network and components.

³AES standard, one decade pink noise with 6 dB crest factor within device's operational band, free air, long-term 100 hr rating.

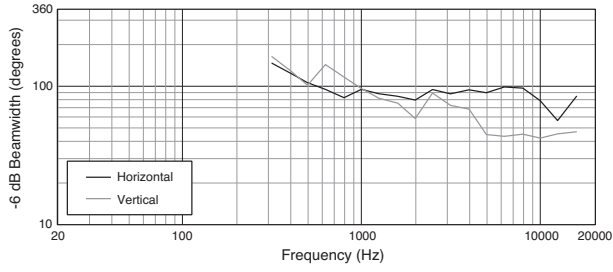
⁴IEC standard, full bandwidth pink noise with 6 dB crest factor, 100 hours, with recommended active tuning.

⁵Calculated based on power rating and sensitivity, exclusive of power compression.

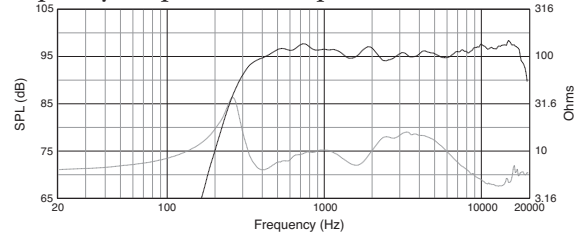
JBL continually engages in research related to product improvement. Changes introduced into existing products without notice are an expression of that philosophy.

▶ AM7200/95 High Power Mid-High Frequency Loudspeaker with Rotatable Horn

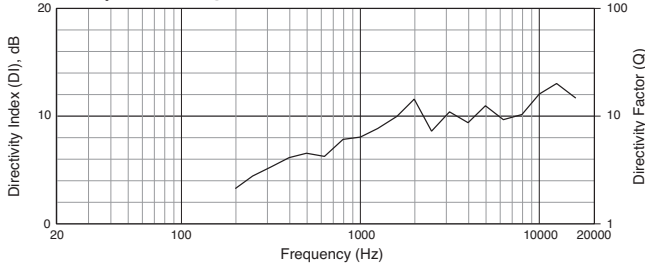
Beamwidth



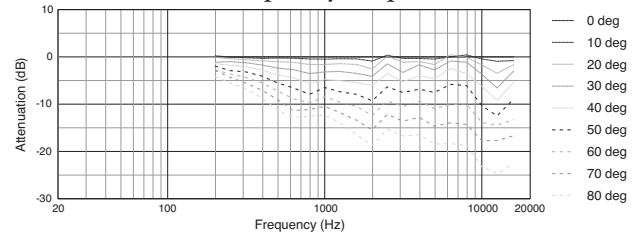
Frequency Response and Impedance



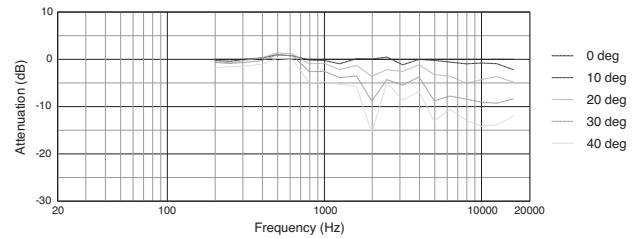
Directivity Index, Q



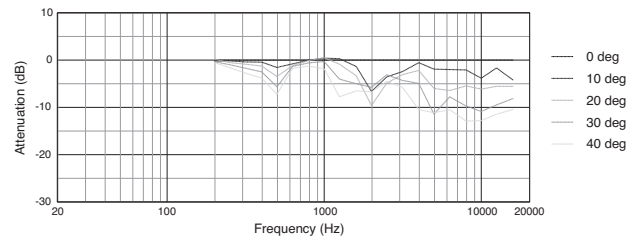
Horizontal Off-Axis Frequency Response



Vertical Up Off-Axis Frequency Response



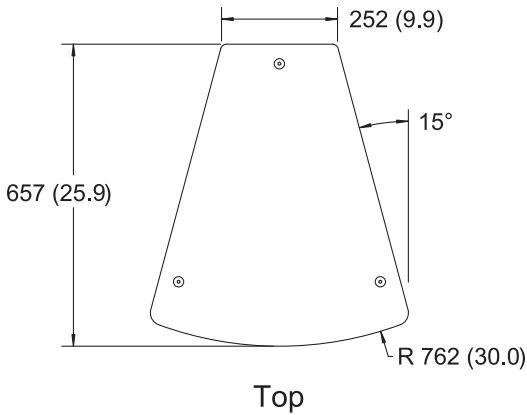
Vertical Down Off-Axis Frequency Response



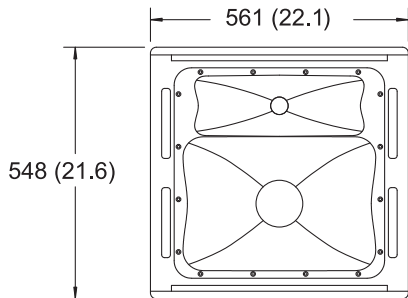
Dimensions

Dimensions in mm (in).

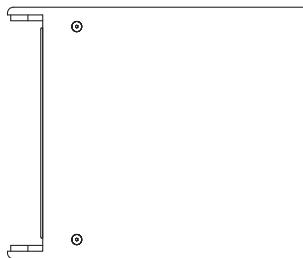
For more detailed dimensional information, refer to Application Data Sheet.



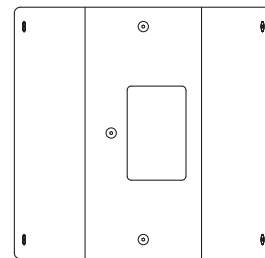
Top



Front



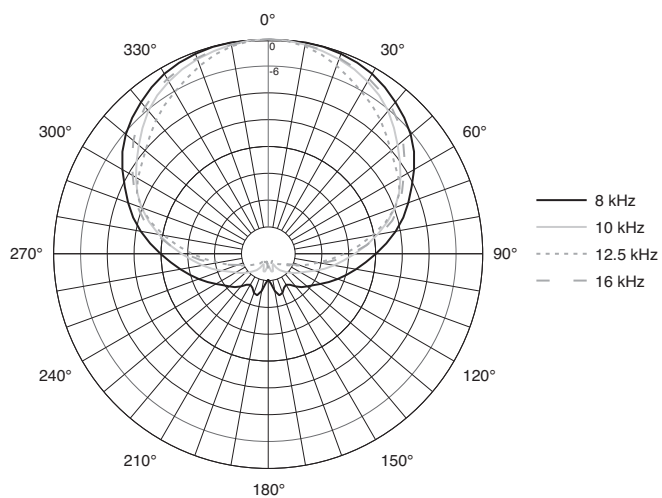
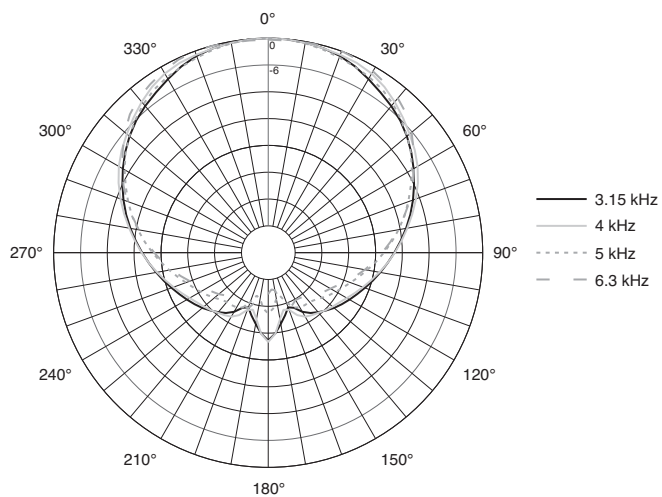
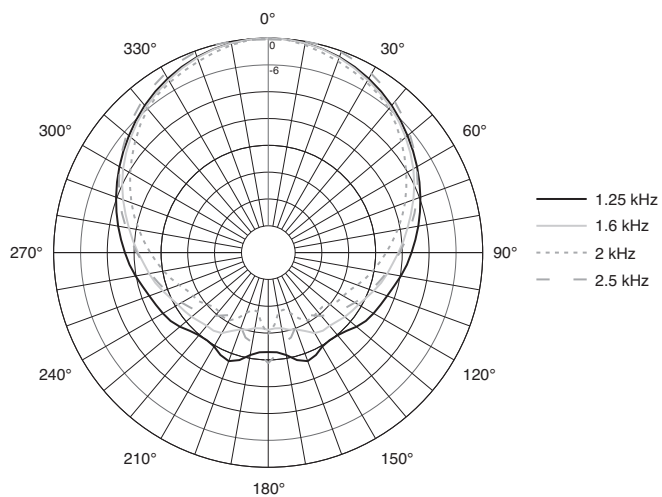
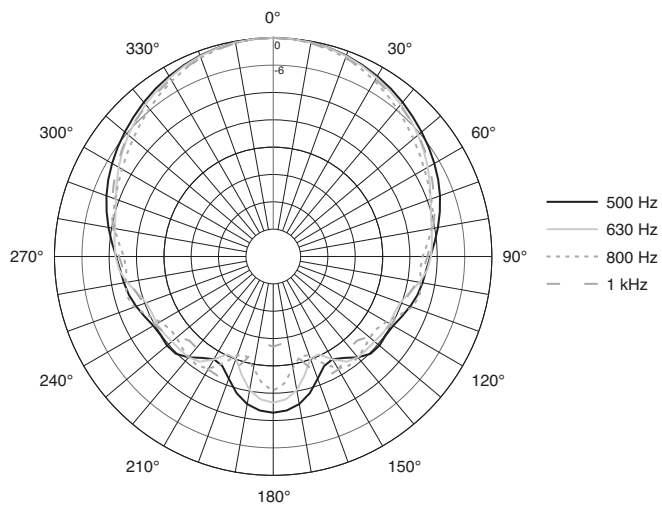
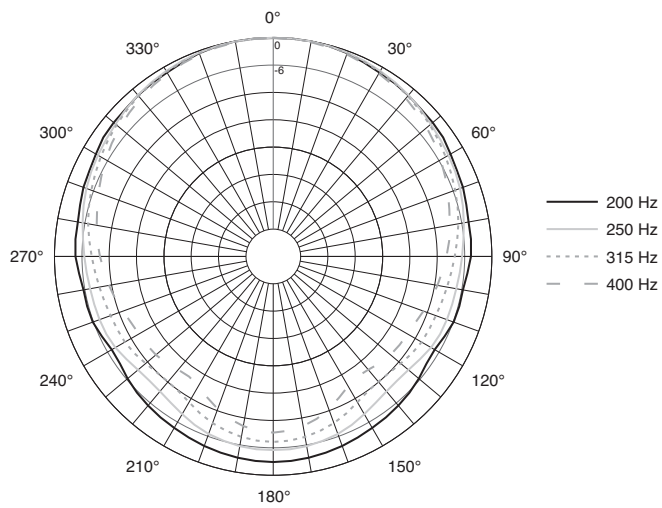
Side



Back

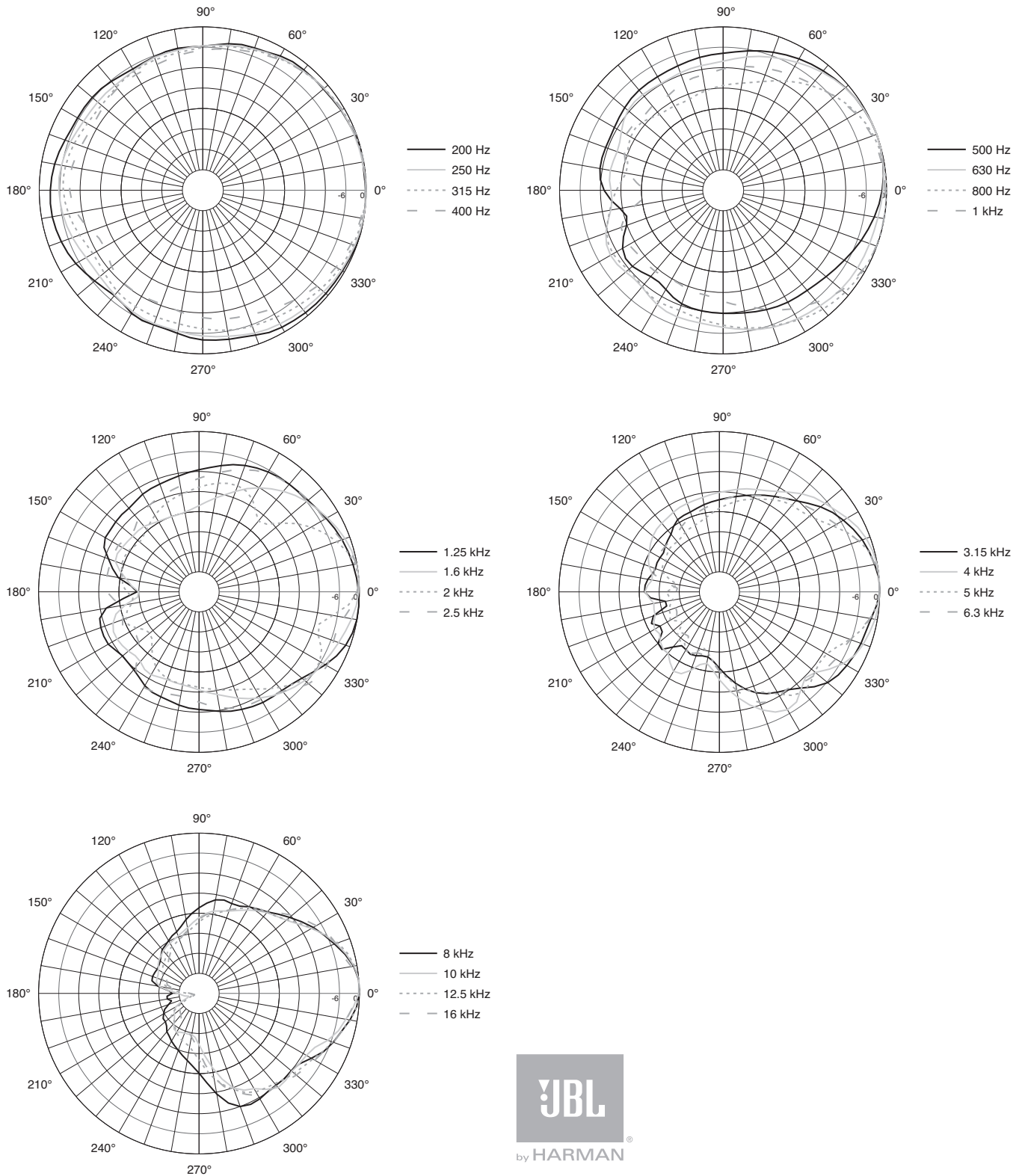
Measurements obtained in full passive crossover mode with recommended active tuning. Graphs are from unaltered measured data.

Horizontal 1/3 Octave Polars



▶ AM7200/95 High Power Mid-High Frequency Loudspeaker with Rotatable Horn

Vertical 1/3 Octave Polars



JBL Professional
 8500 Balboa Boulevard, P.O. Box 2200
 Northridge, California 91329 U.S.A.

© Copyright 2010 JBL Professional
www.jblpro.com

SS AM7200/95
 CRP
 08/10