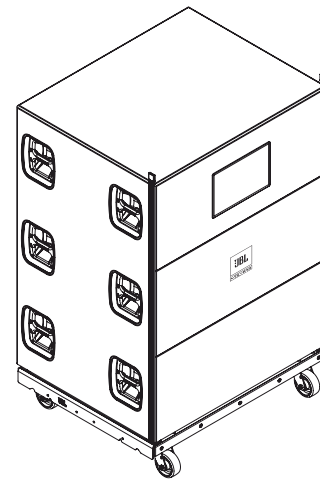
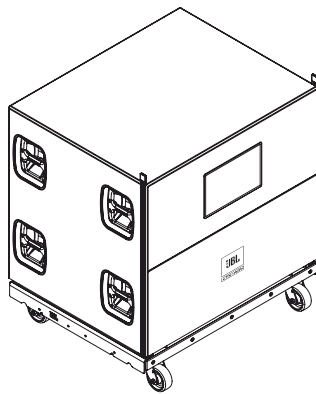


## HIGHLIGHTS

- Heavy-duty soft cover for VTX B35 VT
- Covers stacks of two or three enclosures
- Input-panel access flaps for system testing
- Clear window for shipping labels and identification
- Handle cutouts for convenient handling
- Heavy-duty industrial-grade zippers
- Foldable design for compact storage

## DESCRIPTION

The VTX B35 VT CVR is a heavy-duty soft cover designed for use with the VTX B35 VT Vertical Transporter. Sized to cover stacks of two or three VTX B35 enclosures, the cover features two industrial-grade zippers for fast and reliable deployment. Input-panel access flaps allow VTX B35 enclosures to be tested without removing the cover, while handle cutouts provide convenient access during transportation and handling. The front panels are internally reinforced to provide maximum protection for the loudspeaker grilles. The cover is compatible with both VTX B35 and VTX B35G enclosures and folds into a compact footprint when not in use.



### PHYSICAL

**Net Weight :** 10.3 kg (23 lb)  
**Shipping Weight :** 12.0 kg (27 lb)

### ORDERING INFORMATION

**SKU :** JBL-P3648 | VTX B35 VT CVR

**Included :** (1) Cover