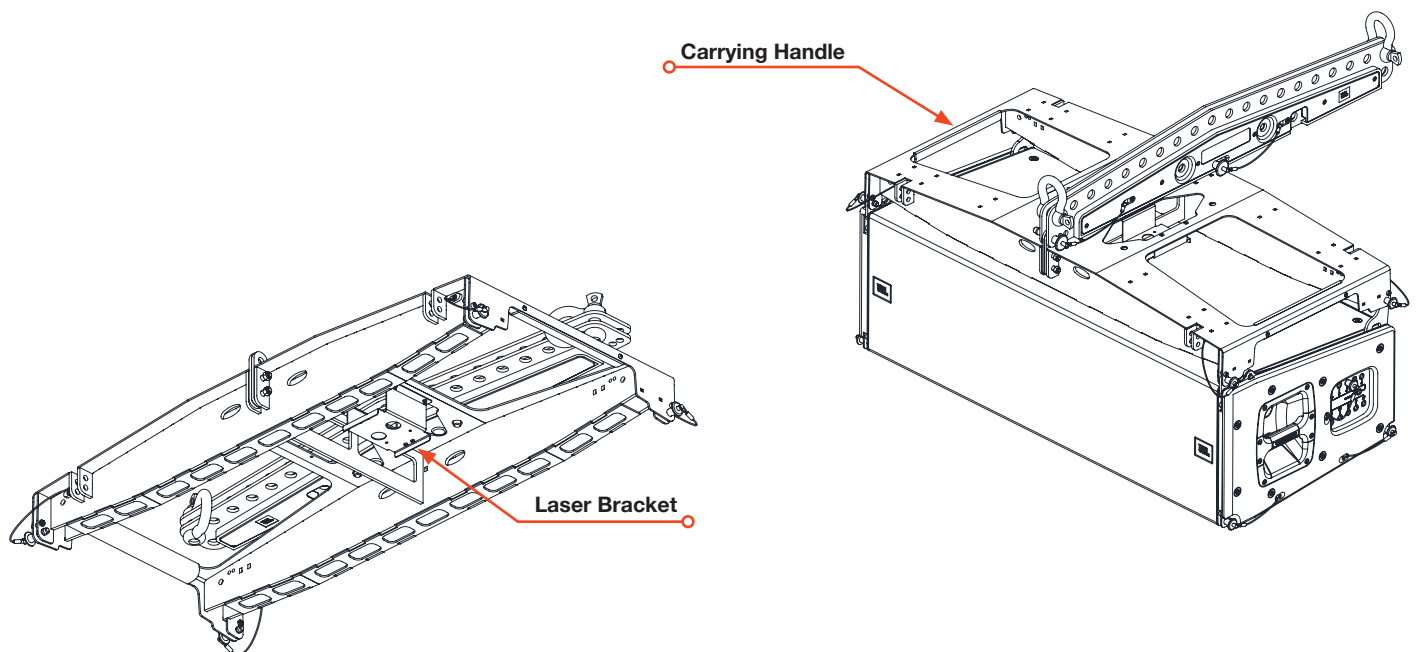


## HIGHLIGHTS

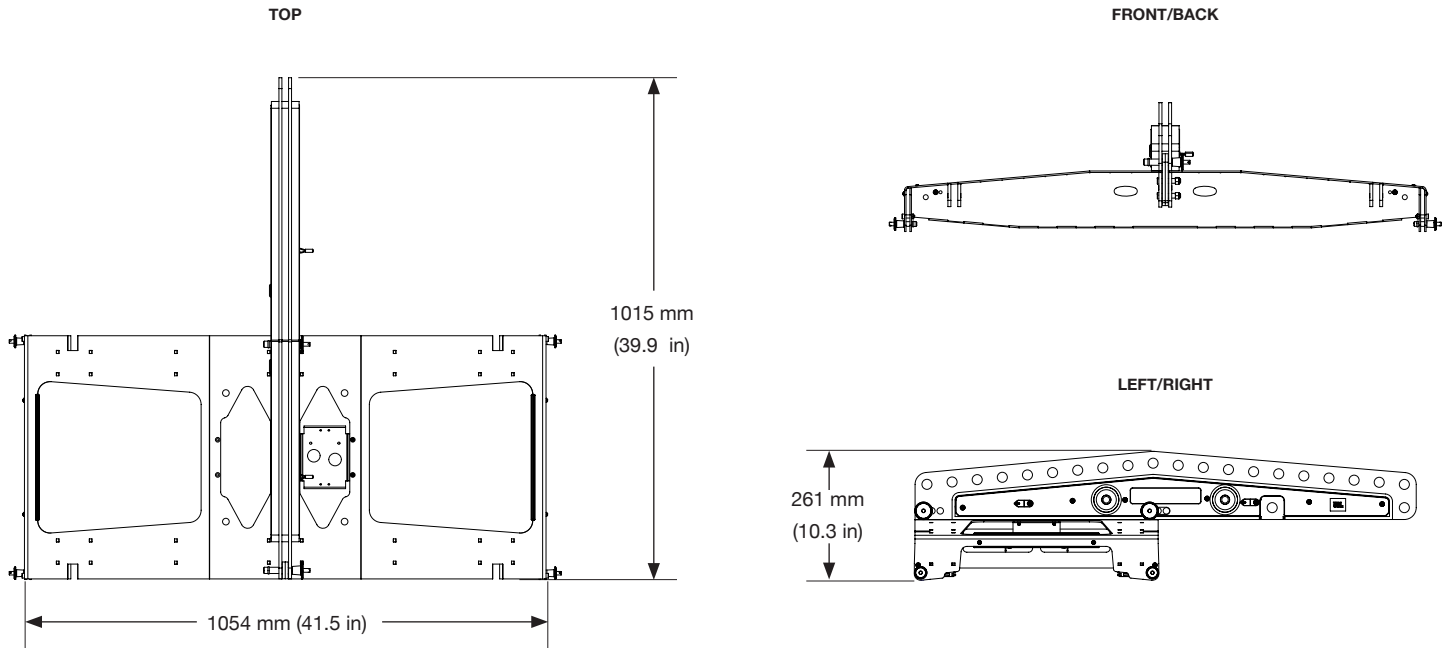
- Compatible with VTX A12 and VTX B35
- One Extension Bar included
- Integrated storage for up to two Extension Bars
- Supports single-point, dual-point, and quad-point suspension
- High-resolution single-point shackle positioning
- Laser attachment bracket included

## DESCRIPTION

The VTX A12 AF MKII is a lightweight Array Frame used for suspending VTX A12 and VTX B35 arrays. The frame supports single-point, dual-point, and quad-point suspension configurations using one or two VTX A12 AF EB MKII Extension Bars. Compatible with 5/8-inch shackles, the Extension Bar can be positioned at the front or rear of the frame to accommodate both up-tilt and down-tilt aiming requirements. Up to two Extension Bars can be stored above the main frame for transportation. Three attachment positions are available for connecting the Extension Bar to the main frame, enabling precise shackle positioning in single-point applications. Support for third-party inclinometers is provided through the included laser attachment bracket. One VTX A12 AF EB MKII Extension Bar is included, and additional Extension Bars can be purchased for side-by-side suspension applications. For more information on array frame configurations and use cases, refer to the **VTX A12 and VTX B35 Rigging Manuals**.



## DIMENSIONS



## TECHNICAL SPECIFICATIONS

### PHYSICAL

**Construction :** High-grade steel with anti-corrosion coating

**Finish :** Black powder coat

**Compatible Shackle Size :** 16 mm (5/8 in)

**Compatible Lasers :** TEQ-SAS, Recline

#### Mechanical Limits<sup>1</sup>

**Safe Limit :** (12) VTX A12 | (6) VTX B35

**Maximum :** (24) VTX A12 | (16) VTX B35

**Dimensions (H x W x D)<sup>2</sup>:** 261 mm x 1054 mm x 1015 mm  
(10.3 in x 41.5 in x 39.9 in)

**Net Weight<sup>3</sup> :** 44 kg (97 lb)  
**Shipping Weight :** 51.7 kg (114 lb)

### ORDERING INFORMATION

**SKU :** JBL-P3643MX | VTX A12 AF MKII

**Included :** (1) VTX A12 AF MKII | (1) VTX A12 AF EB MKII | (3) 5/8-inch Shackles | (1) Laser Bracket

#### Footnotes:

1: Always check mechanical safety with JBL Venue Synthesis software before use. Safe and Maximum Limits are specified per system. Mechanical safety must be verified for all mixed-array configurations. For more information on Safe and Maximum Limits, refer to the **VTX A12 and VTX B35 Rigging Manuals**.

2: Refer to the 2D and 3D Customer Drawings for more detailed dimensions.

3: Weight includes Array Frame and Extension Bar. Shackles, laser bracket, and other rigging hardware are not included.

JBL continually engages in research related to product improvement. Some materials, production methods and design refinements are introduced into existing products without notice as a routine expression of that philosophy. For this reason, any current JBL product may differ in some respect from its published description, but will always equal or exceed the original design specifications unless otherwise stated.