



HIGHLIGHTS

CARDIOID DESIGN

Broadband low-frequency pattern control without requiring additional rear-facing cabinets.

JBL TRANSDUCERS

JBL 2285H 15-inch Differential Drive® woofer featuring a dual voice coil, dual-gap design, neodymium magnets, and a carbon-fiber-based cone.

JBL SLIPSTREAM™ LOW FREQUENCY PORTS

Proprietary double-flared ports precision engineered for greater low-frequency performance and reduced port noise.

SYSTEM INTEGRATION

Mechanical and acoustical compatibility with VTX Series products, enabling flexible mixed-system configurations.

The VTX B35 is a triple 15-inch flyable cardioid subwoofer designed to extend the low-frequency performance of VTX Series full-range sound reinforcement systems down to 32 Hz. B35 brings broadband cardioid directivity control into a compact, single-enclosure design, providing system designers with a practical solution for controlling low-frequency coverage and reducing unwanted rearward energy. B35 is a strong fit for productions and installations where low-frequency control is required but space constraints limit what can be achieved with conventional multi-cabinet cardioid arrays. B35 joins the VTX B-Series subwoofer family and incorporates proven VTX acoustic innovations such as SlipStream™ double-flared exponential ports and Differential Drive® dual voice coil woofer design. B35 is mechanically compatible with A12, enabling clean mixed-array configurations with A12 arrays suspended directly below B35 without adapter frames. It is also acoustically compatible with all VTX full-range systems and B-Series subwoofers, allowing multiple subwoofer types and deployment configurations to be combined within a single system.

KEY MESSAGES

ACOUSTIC DESIGN

B35 uses three JBL Differential Drive® 15-inch woofers arranged in a two-front, one-rear configuration, with each section operating in its own chamber. The front and rear sections are powered independently using dedicated amplifier channels and optimized presets to deliver predictable cardioid performance and rear rejection. The front chamber is supported by a proprietary SlipStream™ port design that maximizes internal volume while minimizing port noise.

SPACE EFFICIENCY

B35 requires no additional rear-facing cabinets to create its cardioid pattern. The result is a low-frequency solution that is significantly more space-efficient and SPL-dense than traditional cardioid approaches. This makes B35 easier to specify, faster to deploy, and better suited to applications where available space, rigging capacity, or architectural constraints are limited.

TRANSDUCERS

B35 woofers are based on JBL's patented Differential Drive® technology, which uses a unique dual voice coil design. The additional surface area provided by the dual coils improves heat dissipation and reduces power compression compared to conventional single-coil designs. Dual neodymium magnets are positioned inside the coils, reducing weight while improving magnetic efficiency. The result is a robust 15-inch woofer with impressive peak-to-peak excursion that rivals many 18-inch designs.

VTX A12 COMPATIBILITY

B35 is mechanically compatible with VTX A12 and supports the use of A12 rigging accessories, including the Array Frame (MKII) and Suspension Bar. B35 is also compatible with all VTX Series base plates, enabling ground-stacked configurations with VTX A-Series line arrays.

TECHNICAL SPECIFICATIONS

ACOUSTICAL

Frequency Range

(-10 dB) : 32 Hz-87 Hz (Preset: 80 Hz)
 (±3 dB) : 38 Hz-71 Hz (Preset: 80 Hz)

Coverage Pattern Options : Cardioid

Maximum Peak Output¹ : 139 dB

System Power Rating² :

Front : 2600 Watts
Rear : 1300 Watts

System Type : Passive Subwoofer

AMPLIFICATION

System Amplification : Crown iTech 4x3500HD, Crown iTech 12000HD

Number of Cabinets per Amp³ :

iTech 4x3500HD : (2)
 iTech 12000HD : (1)

Required Amplifier Channels³ : (2)

System Nominal Impedance⁴ :

Front : 4 ohms
Rear : 8 ohms

TRANSDUCERS

Low Frequency : (3) JBL 2285H, 15 in diameter, dual 4 in diameter voice coil, neodymium Differential Drive®

PHYSICAL

Enclosure : Exterior-grade birch plywood enclosure, DuraFlex™ finish, and four integral recessed handles

Color : Black | RAL9005

Environmental Specifications : IP55⁵ | IEC 60529
 ASTM B117⁶
 ASTM G155⁶

Suspension : High-grade steel with anti-corrosion coating, captive suspension plates, quick release pins, trigger operated, spring-loaded mechanism

Grille : Powder coated 1.8 mm (14-gauge) hex perforated steel with acoustically transparent black cloth backing

Connectors

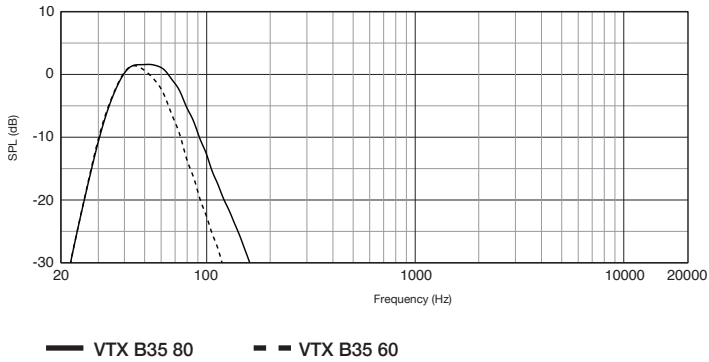
Type : (1) Neutrik® speakON® STXX Series NL4
Pin Assignments : Pin 1 ± Front | Pin 2 ± Rear

Dimensions (H x W x D) : 496 mm x 1091 mm x 876 mm
 19.5 in x 42.9 in x 34.5 in

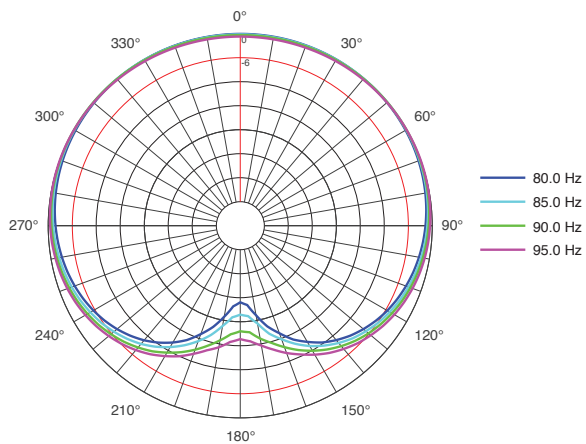
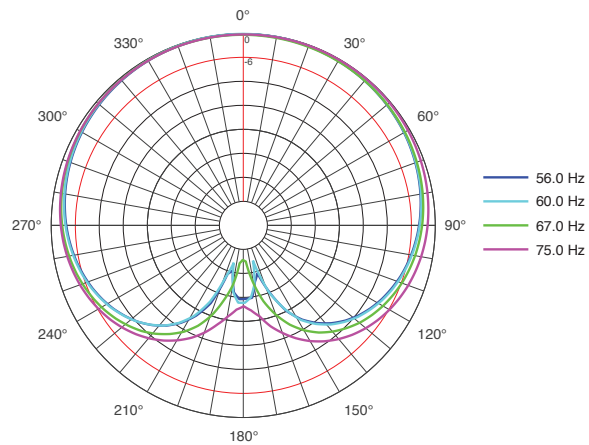
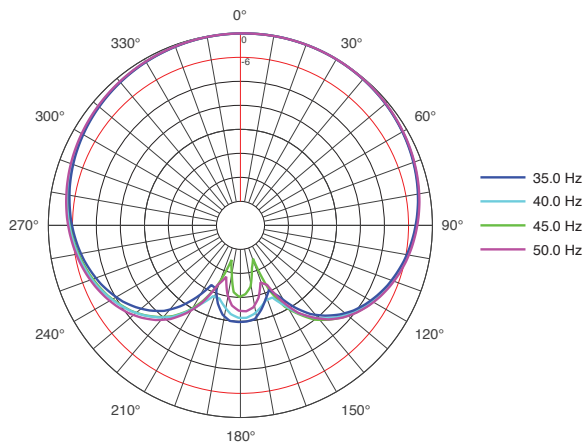
Net Weight : 91 kg (201 lb)
Shipping Weight : 105 kg (232 lb)

ACOUSTIC MEASUREMENTS

FREQUENCY RESPONSE



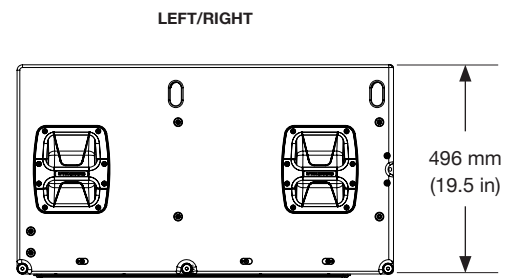
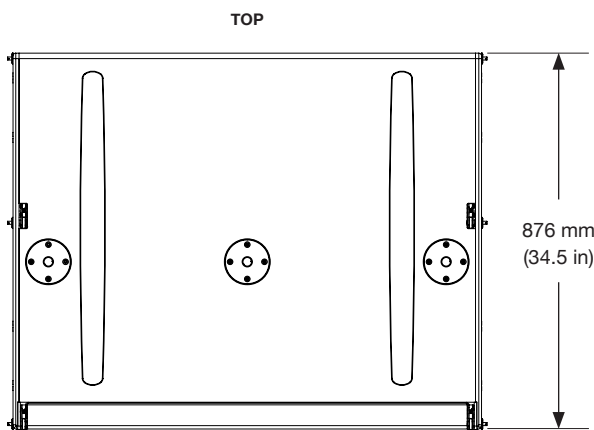
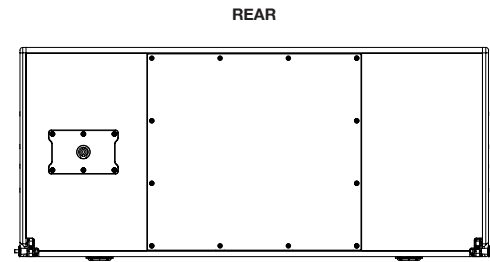
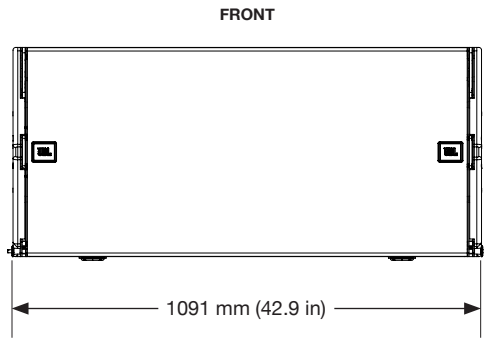
POLAR PATTERNS



Footnotes:

- 1: Peak, unweighted SPL measured under half-space conditions at 1 meter using broadband pink noise with a 12 dB crest factor and the specified preset. Preset: 80 Hz.
- 2: System power is defined as 2x the rated continuous power. Continuous power is measured using pink noise with a 6 dB crest factor, based on the rated nominal impedance, over a duration of 100 hours.
- 3: For more information on powering B35 subwoofers, refer to the **VTX B35 User Manual**.
- 4: Nominal impedance within the stated operating frequency range. Front minimum impedance is 3.4 Ω at 38 Hz and 3.1 Ω at 190 Hz. Rear minimum impedance is 7.0 Ω at 44 Hz and 6.0 Ω at 194 Hz.
- 5: Front face oriented at a down angle between 0° and -75°. Suspension components are fully weather-rated for indoor or covered outdoor use where humidity is nominally below 50% and the installation is not exposed to corrosive environments. Input speakON connectors must be sealed with silicone to protect against water and moisture ingress.
- 6: For information regarding pass criteria, test conditions, and test duration, contact JBL Professional.

DIMENSIONS



ORDERING INFORMATION

SKU : JBL-P3641MX | VTX B35

Included : (1) VTX B35

JBL continually engages in research related to product improvement. Some materials, production methods and design refinements are introduced into existing products without notice as a routine expression of that philosophy. For this reason, any current JBL product may differ in some respect from its published description, but will always equal or exceed the original design specifications unless otherwise stated.