

4

3



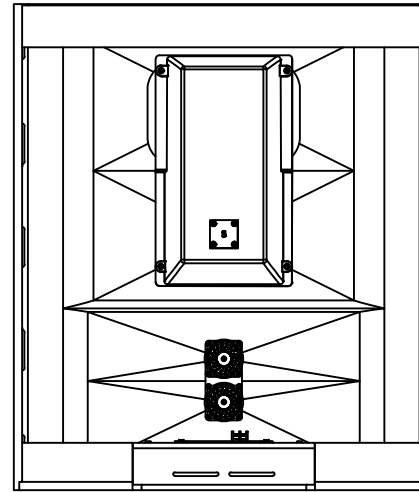
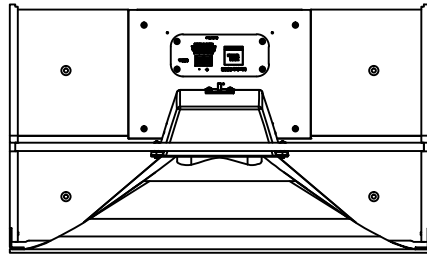
2

1

THESE DRAWINGS AND SPECIFICATIONS ARE THE PROPERTY OF JBL INCORPORATED. THEY ARE ISSUED IN STRICT CONFIDENCE AND SHALL NOT BE REPRODUCED OR USED AS THE BASIS FOR MANUFACTURE OR APPARATUS WITHOUT WRITTEN PERMISSION.

REVISIONS			
LTR	DESCRIPTION	DRFT	DATE
A	RELEASE TO MARKETING	MN	3/20/2018

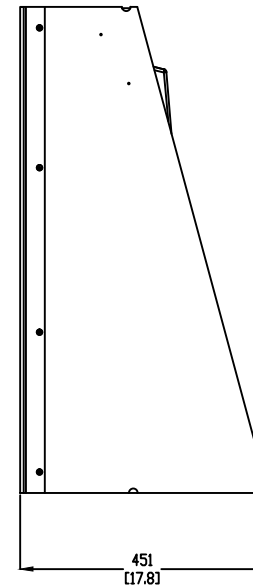
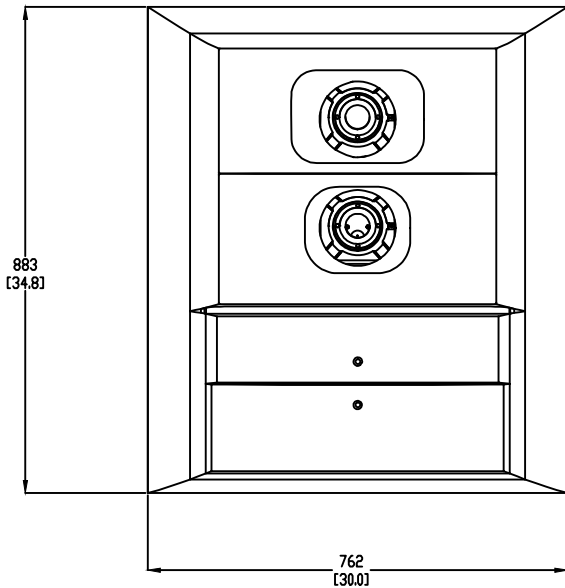
D



D

C

C



B

B

A

A

- COMPONENTS: MF - 2X 165H
HF - 2415J-XP
- INPUT CONNECTORS: 2 POSITION BARRIER STRIP.
- MATERIALS: BIRCH PLYWOOD AND FIBERGLASS.
- FINISH: FIBERGLASS: BLACK MATE. WOOD: BLACK DURAFLEX.

NOTES: (UNLESS OTHERWISE SPECIFIED)

TOLERANCES

(UNLESS OTHERWISE SPECIFIED)

X.XX ± .063 INCH

X.X ± .125 INCH

ANGULAR TOLERANCE OF 0°±30'

FRACTIONAL DIMENSIONS ± 1/32

* DIMENSIONS ARE MM [INCHES]

* ALL DIMENSIONS ARE FINISHED DIMENSIONS

* DO NOT SCALE DRAWING



JBL PROFESSIONAL
A Harman International Company
Northridge, California 91329 U.S.A.

TITLE CUSTOMER DRAWING, 3373-M/HF		
SIZE A	DRAWING NO. 1000332269	REV A
SCALE NTS	SHEET 1 OF 1	

4

3



2

1