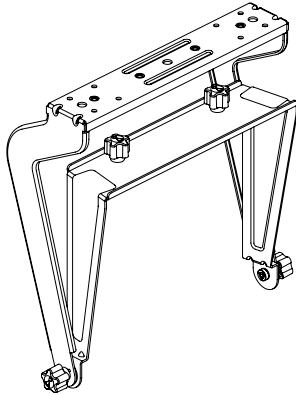




SRX915M UBV

Vertical U-Bracket for SRX915M

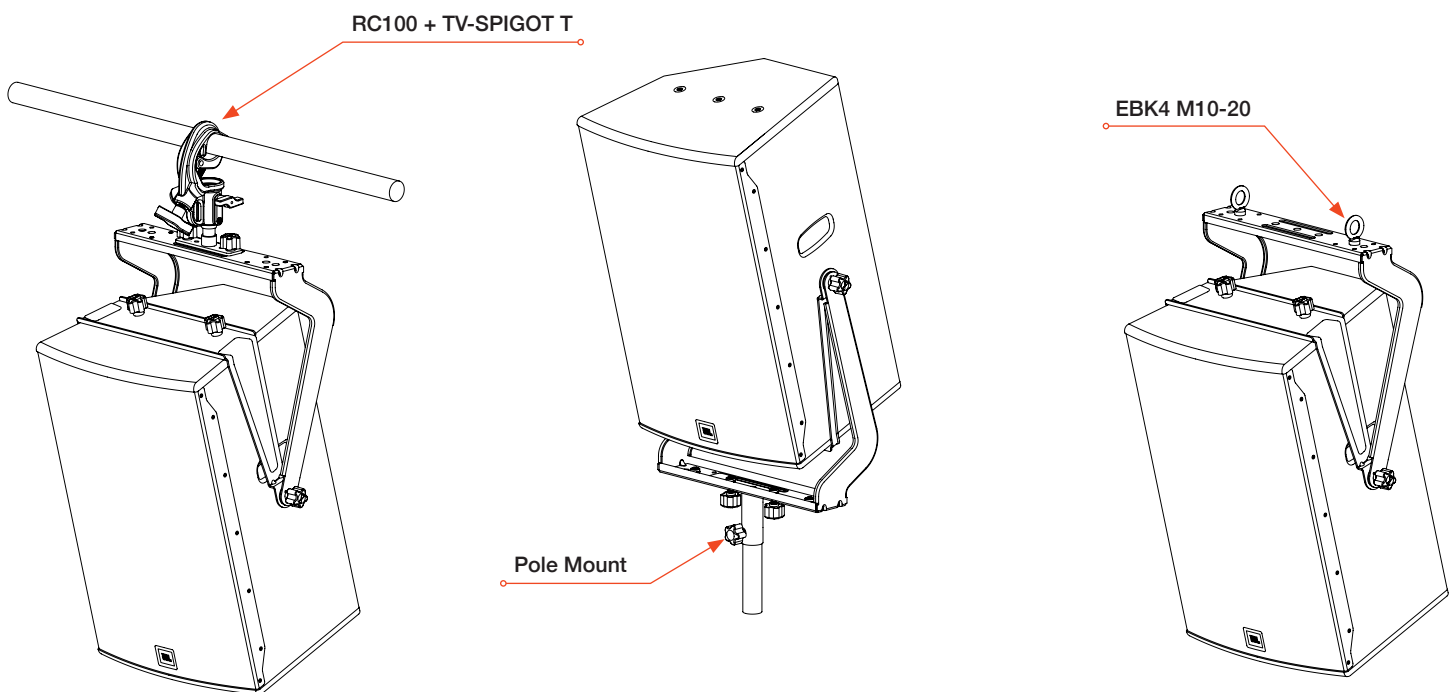


HIGHLIGHTS

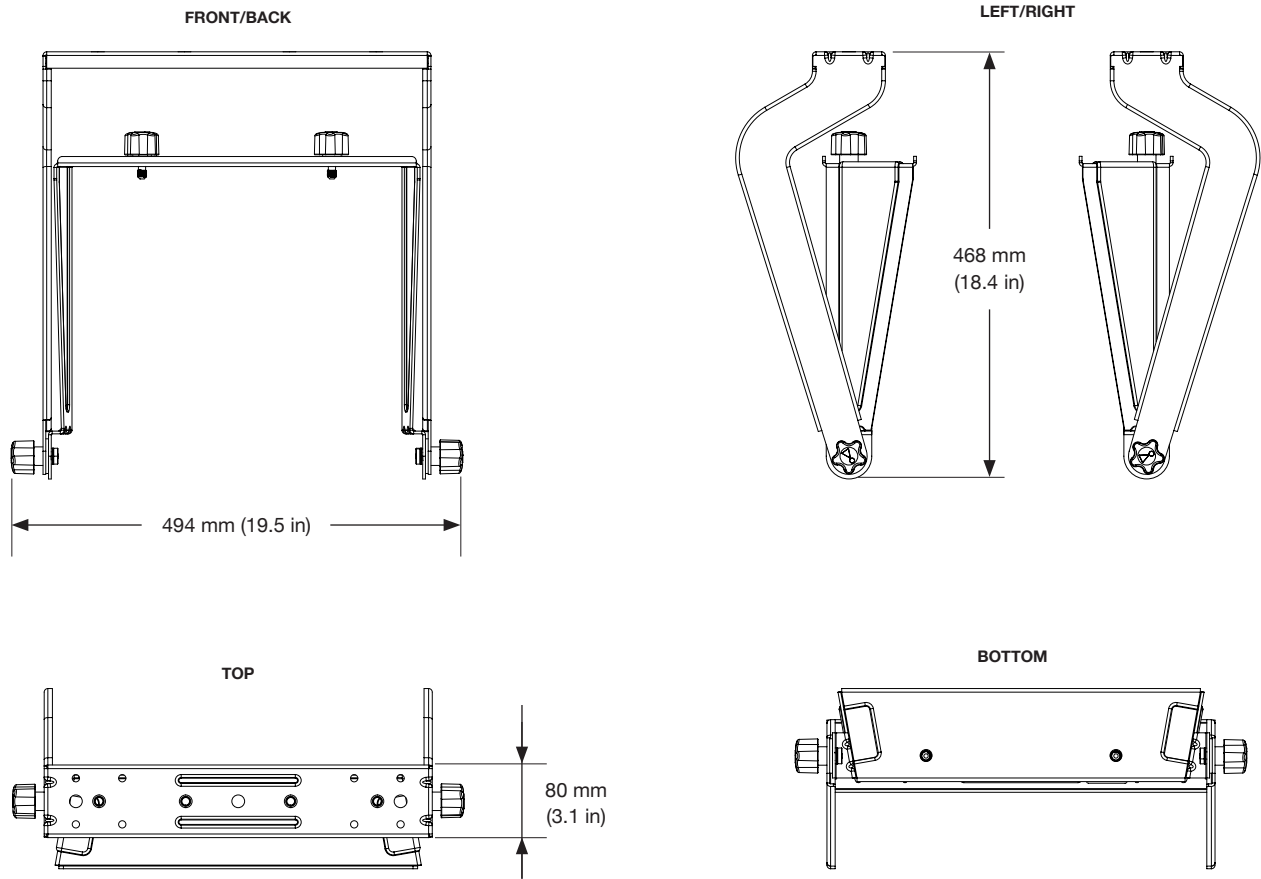
- Versatile vertical U-Bracket for SRX915M
- Compatible with the RC100 rotating clamp
- Support for third-party clamps
- Support for M10 suspension points
- Compatible with the Pole Mount adapter

DESCRIPTION

The SRX915M UBV is a versatile U-bracket accessory designed for vertically mounting SRX915M loudspeakers. The two-piece design attaches to the enclosure using the included M10 knobs and the two top or bottom M10 QuickLink™ attachment points on the speaker, depending on the desired orientation. Two additional M10 knobs are used to lock the bracket at the desired tilt angle. Several M12 through-holes are provided for use with standard pipe or truss clamp adapters. The bracket is also compatible with the JBL RC100 rotating clamp which allows for a full 360 degree horizontal rotation when combined with the TV SPIGOT T accessory. Two M10 attachment points are available for installing eye bolts when suspending SRX915M loudspeakers with wire. The SRX915M UBV can also be used for pole mounting when combined with the optional Pole Mount Adapter. This combination allows for a greater down angle than is otherwise possible using the pole cup on the speaker. For additional information on the SRX915M UBV and related use cases, refer to the **SRX900 Series Rigging Manual**.



DIMENSIONS



TECHNICAL SPECIFICATIONS

PHYSICAL	
Construction :	Steel with anti-corrosion coating
Finish :	Black powder coat
Dimensions (H x W x D)¹ :	468 mm x 494 mm x 80 mm (18.4 in x 19.5 in x 3.1 in)
Net Weight² :	5.0 kg (11 lbs)
Shipping Weight :	8.3 kg (18 lbs)
ORDERING INFORMATION	
SKU :	JBL-P3497 SRX915MUBV
Included :	(1) U-Bracket

Footnotes:
 1: Refer to the 2D and 3D Customer Drawings for more detailed dimensions.
 2: Weight does not include the speaker or any other accessories such as clamps.

JBL continually engages in research related to product improvement. Some materials, production methods and design refinements are introduced into existing products without notice as a routine expression of that philosophy. For this reason, any current JBL product may differ in some respect from its published description, but will always equal or exceed the original design specifications unless otherwise stated.