

# GSF3

## 3" Ground-Stake Loudspeaker



With included ground stake

With included L-bracket

### HIGHLIGHTS

The compact, weather-resistant **JBL GSF3** landscape loudspeaker provides superior fidelity and wide coverage in a range of outdoor commercial applications, with a custom two-way coaxial 3-inch driver system that delivers full-range, crystal-clear sound. (Extend system bass response with JBL GSB8 or GSB12 in-ground landscape subwoofers.) This versatile speaker features a 15-watt multi-tap transformer for use on 70V/100V distributed systems, and is switchable for 8-ohm direct operation.

Versatile mounting options include an included ground stake for in-ground installation and an L-bracket for secure mounting on either horizontal or vertical surfaces. A low-profile, unobtrusive speaker, the **GSF3** blends right into its surroundings, and is aimable for precise coverage via an adjustable hinge. Available in hunter green and tan finishes.

The elegant, discreet **GSF3**—winner of international design awards for industrial design excellence—is the perfect sound solution for diverse outdoor applications including shopping malls, theme parks, sports venues, hospitality venues, and any application calling for a stylish, robust, great-sounding landscape speaker system.

### FEATURES

**Transducers:** 83 mm (3") woofer with polypropylene cone and 25 mm (1") voice coil on Kapton voice coil former; 20 mm (0.8 in) titanium dome tweeter with neodymium magnet assembly and Kapton voice coil former.

**Frequency Range:** 90 Hz–20 kHz

**Power Handling (at 8Ω setting):** 30 watts

**IP66 rated** against water and dust ingress

**Multi-tap 15W transformer** is switchable for 8Ω direct operation or use in 70V/100V distributed systems

**Bottom drip hole** provides drainage for drivers

**Pairs well with JBL GSB8 and GSB12** in-ground landscape subwoofers

**Aimable** via adjustable hinge

**Includes ground stake** and L-bracket for surface mounting

**Tap selector** located on bottom of speaker, away from water incursion

**Available in Hunter Green or Tan** finish

### SPECIFICATIONS

SYSTEM	
Frequency Range <sup>1</sup> (-10 dB):	74 Hz – 20 kHz
Frequency Response <sup>1</sup> (±3 dB):	120 Hz – 15 kHz
Power Rating <sup>2</sup> :	60 W Continuous Program (2 hrs) 30 W (120 W Peak), Continuous Pink Noise (2 hrs) 15 W (60 W Peak), Continuous Pink Noise (100 hrs)
Sensitivity <sup>2</sup> :	82 dB (120 Hz - 8 kHz)
Nominal Coverage Angle:	90° conical
Directivity (Q):	7.9
Directivity Index (DI):	9 dB
Rated Maximum SPL <sup>4</sup> :	103 dB peak (97 dB continuous, 2 hr) @ 1m
Nominal Impedance:	8 Ω (at 8Ω tap)
Minimum Impedance:	6.5 Ω at 350 Hz
Transformer Taps:	70V: 15 W, 7.5 W, 3.8 W 100V: 15 W, 7.5 W
Insertion Loss:	<1.0 dB at any tap setting
Thru Setting:	8Ω nominal
Maximum Input Voltage:	13.5 V RMS (2 hrs), 27 V peak
Recommended Protective High-Pass:	80 Hz for 8Ω operation and for all tap settings, 24 dB/oct
TRANSDUCER	
Drivers:	<ul style="list-style-type: none"><li>83 mm (3 in) woofer, polypropylene cone</li><li>25 mm (1 in) voice coil on Kapton™ voice coil former</li><li>20 mm (0.8 in) titanium dome, Neodymium magnet assembly, Kapton™ voice coil former</li></ul>
PHYSICAL	
Enclosure Material:	Polycarbonate + ABS, UL94V-0 flammability rated
Grille:	Aluminum
Environmental:	IP-66 rating per IEC529 (dust protected and protected against strong jets of water). Exceeds MilSpec 810 for humidity, salt spray, temperature, & UV. Passes Mil-Std-202F for salt spray.
Agency Ratings:	Speaker listed per UL1480A. Transformer recognized per UL1446. Compliant with IEC62368-1. ROHS.
Terminals:	Bare wire with dielectric-gel-filled wire nuts (1 meter single jacked cable 2 wires with 18 AWG)
Colors:	Pine Green RAL 6028, or Beige Grey RAL 7006
Dimension (H X D):	Cabinet 132 mm diameter x 167 mm deep (5.2 x 6.6 in). Assembly height 289 mm (11.4 in) with L-bracket base (at 90°) and 430 (17.0 in) with ground stake base
Net Weight:	1.7kg (3.8 lbs)
Shipping Weight:	6.2 kg (13.7 lbs) per carton (2 speakers per carton)
Included Accessories:	(1) Ground Stake Bracket; (1) L-Bracket
SKU Numbers:	JBL-GSF3-GN (green), JBL-GSF3-TN (tan)

1 Half-space, 2π loading (ground or wall as acoustic boundary)

2 Continuous Pink Noise rating is IEC-shaped pink noise with a 6 dB peak-to-average crest factor for 100 hours continuously. Continuous Program power is a conservative expression of the system's ability to handle normal speech and music program material and is defined as 3 dB above the Continuous Pink Noise rating.

3 Half-space, 2π loading (ground as acoustic boundary), averaged 120 Hz - 8 kHz.

4 8 ohm mode, calculated from sensitivity and power handling, exclusive of power compression.

JBL continually engages in research related to product improvement. Some materials, production methods, and design refinements are introduced into existing products without notice as a routine expression of that philosophy. For this reason, any current JBL product may differ in some respect from its published description, but will always equal or exceed the original design specifications unless otherwise stated.

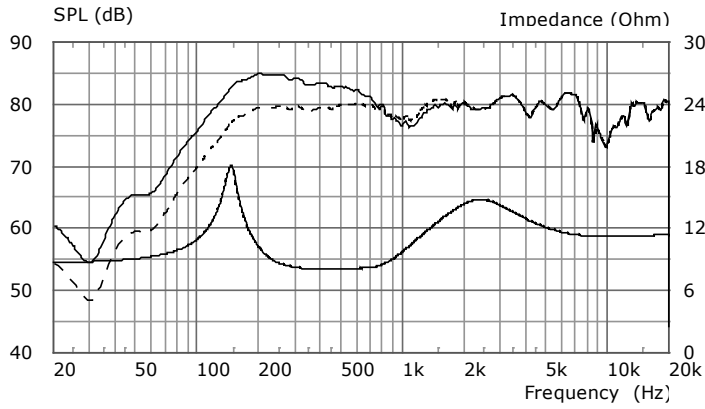
# GSF3

## 3" Ground-Stake Loudspeaker

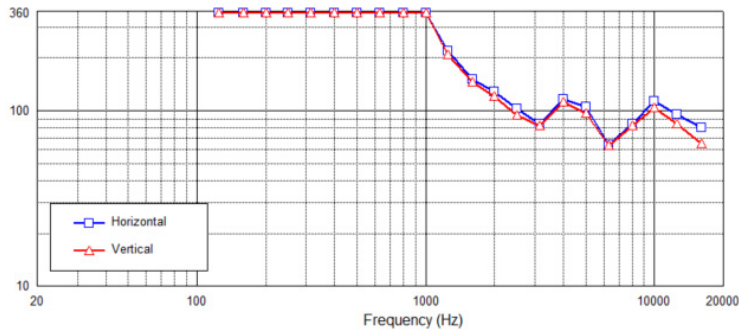


### Frequency Response:

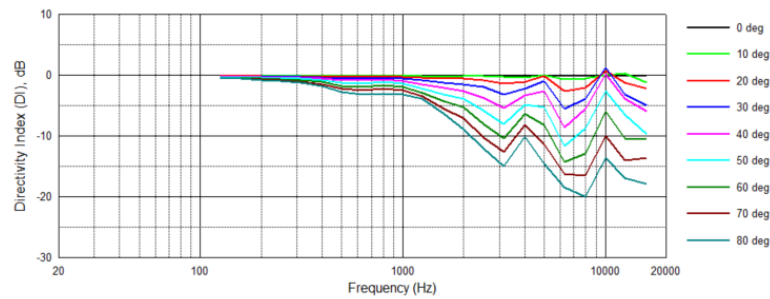
In half-space (2-pi, on-wall or in-ground, solid line) and full-space (4-pi, dotted line)



### Beamwidth:

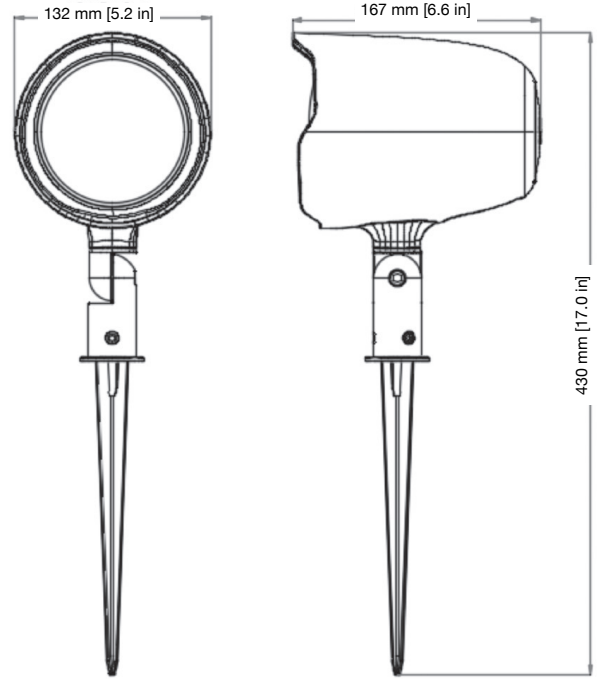


### Off-Axis:

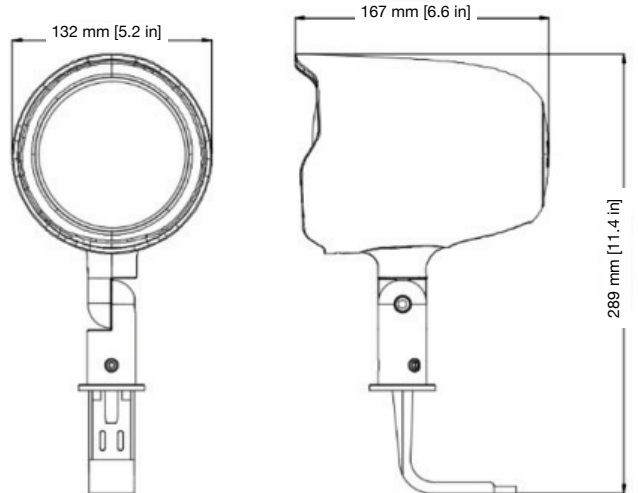


### Dimensional Drawing:

With included ground stake



With included L-shaped bracket



HARMAN Professional 8500 Balboa Blvd. Northridge, CA 91329 USA

© 2025 HARMAN International Industries, Incorporated. All rights reserved.  
Features, specifications and appearance are subject to change without notice.

[www.jblpro.com](http://www.jblpro.com)

SS-GSF3  
Issued: 3/2025