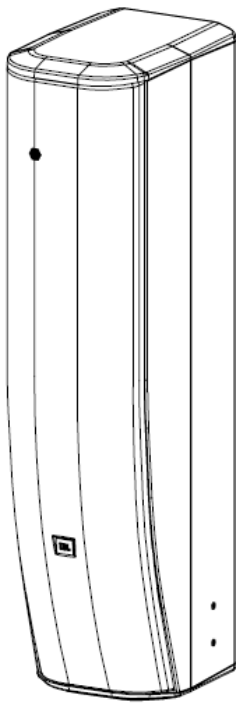




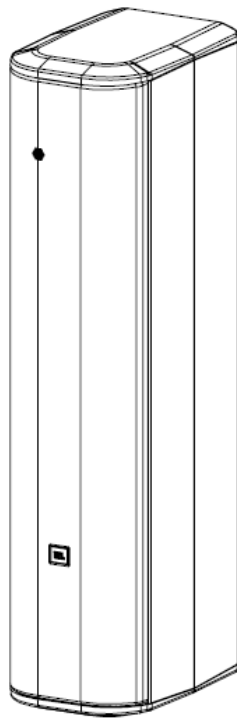
CBT SERIES

Constant Beamwidth Technology™

CBT 70J and CBT 70JE Bracket Installation Guide

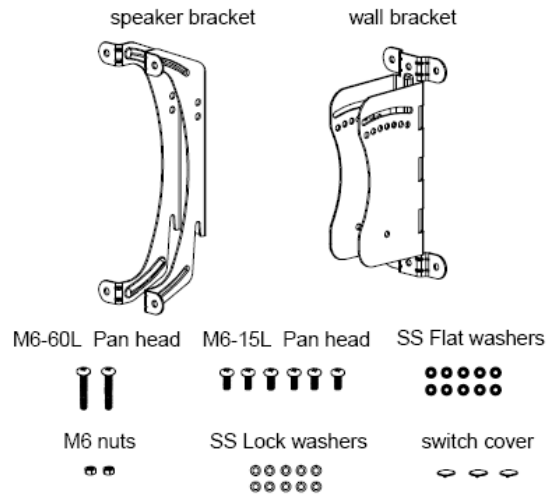


CBT 70J

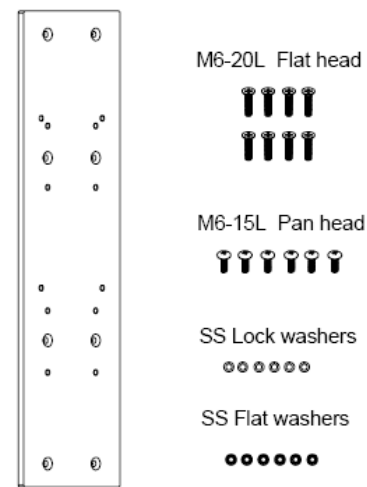


CBT 70JE

Hardware Included 70J



Hardware Included 70JE



COUPLER PLATE

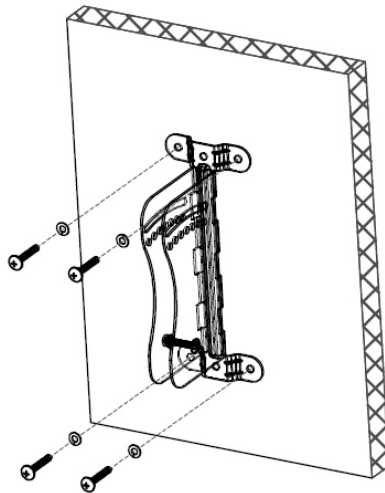
WALL SURFACE MOUNTING

Note that the **BRACKET ASSEMBLY** consists of a **SPEAKER BRACKET** and a **WALL BRACKET**.

- 1) **RUN WIRING** -- Run the wiring from the power amplifier to the location desired for mounting the JBL CBT Loudspeakers.
- 2) **ATTACH WALL BRACKET TO WALL** -- Using a level to ensure that the **WALL BRACKET** is straight, secure the **WALL BRACKET** to the wall. Be sure to use the appropriate wall anchors for attaching the bracket. Use all four screw holes for maximum integrity and safety. Be sure that the slot feature is at the top.

CAUTION: Installation must be done by qualified persons using safe rigging standards.

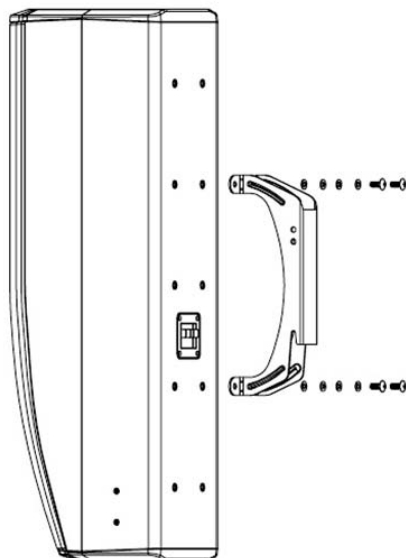
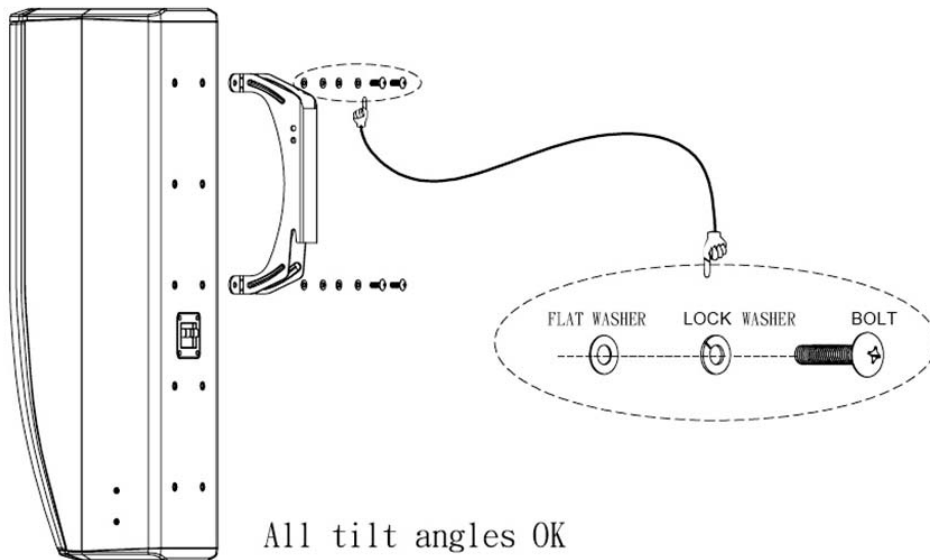
The installer is responsible for proper selection and use of mounting hardware, to properly and safely wall-mount the speakers.



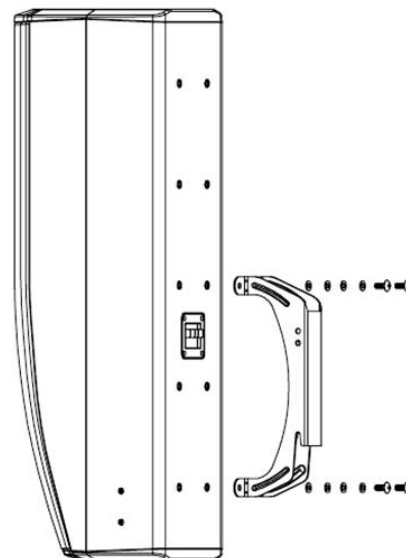
Hardware for attaching WALL BRACKET to wall is not included.

3) ATTACH SPEAKER BRACKET TO SPEAKER

3a) CBT 70J -- Mount the *SPEAKER BRACKET* to the speaker with the provided M6 hardware. For the CBT 70J there are three (3) mounting positions. Choose the one that best suits the application. Be sure the hook feature is downward.

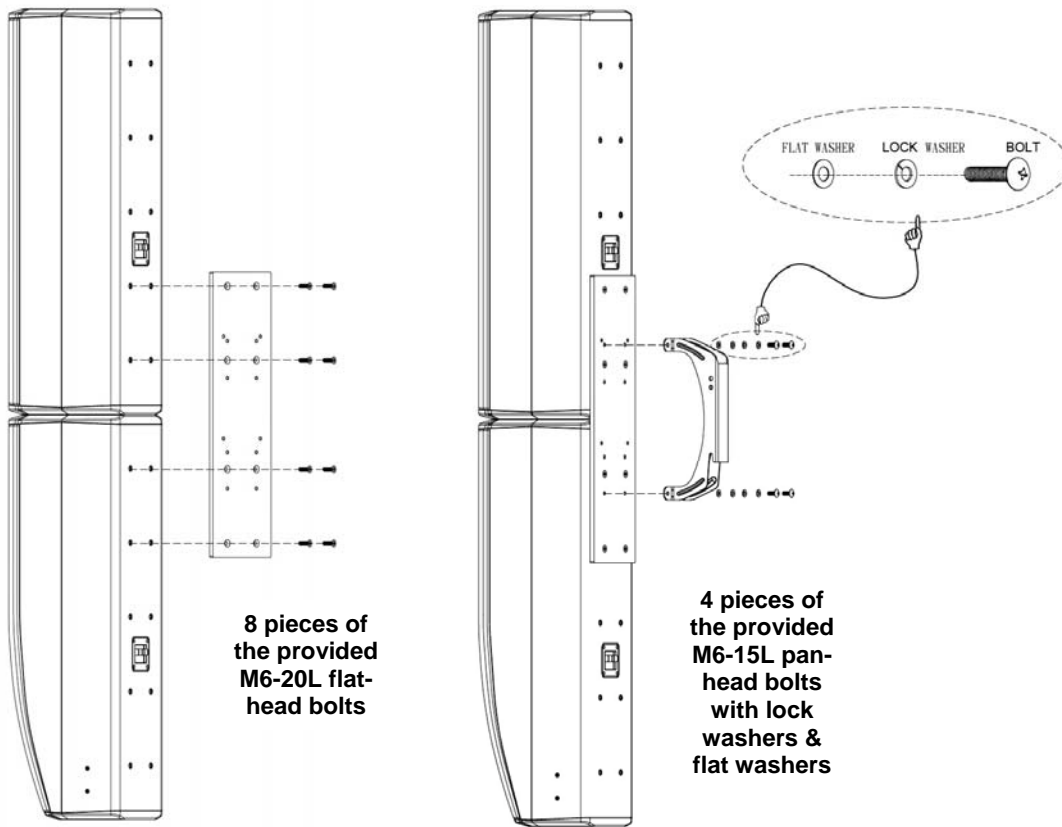


All tilt angles OK



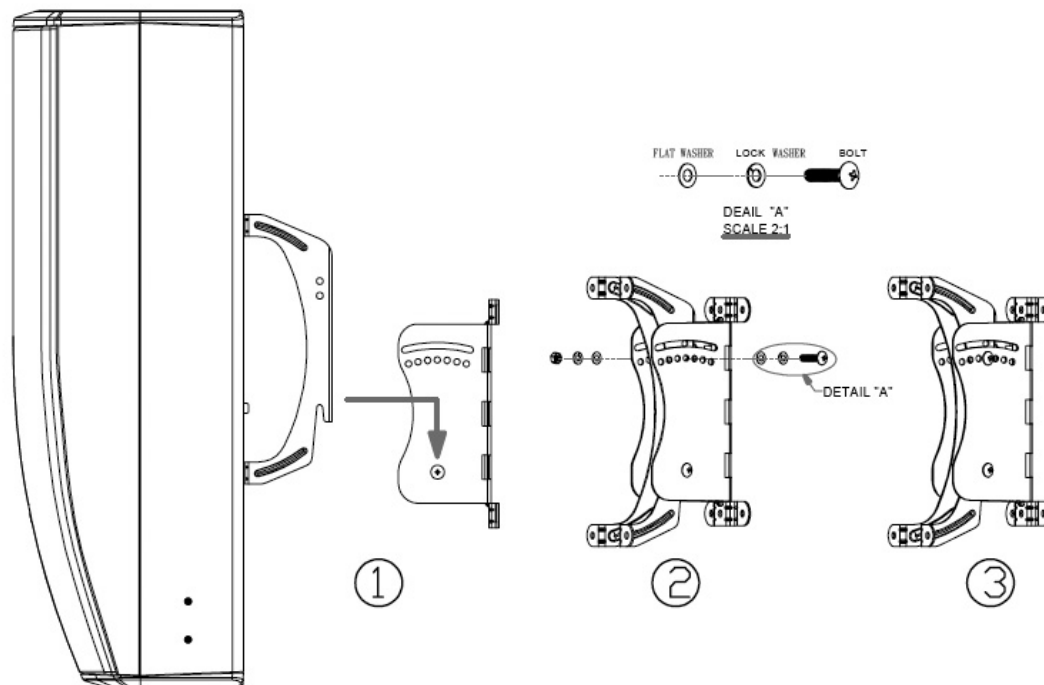
All tilt angles OK

3b) CBT 70J and CBT 70JE Vertical Array -- Mount the *COUPLER PLATE* (included with the CBT 70JE) to the speaker with the provided eight (8) pieces of M6-20L flat-head bolts. Then attach the *SPEAKER BRACKET* to the *COUPLER PLATE* with the provided M6-15L pan-head bolts, lock washers and flat washers. Be sure the hook feature is downward.



tilt angles $\pm 10^\circ$ OK

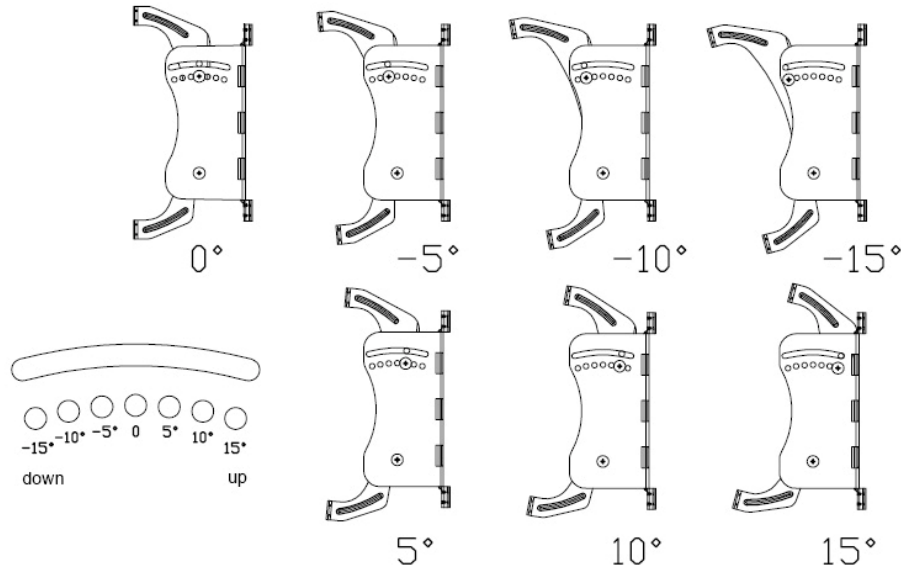
- 4) **SLIDE SPEAKER WITH SPEAKER BRACKET ONTO WALL BRACKET** -- Once the wall mount and speaker mount have been attached, slide the speaker forward into the **WALL BRACKET**, dropping the hook slot in the speaker bracket onto the pivot bolt (which will already be installed loosely in the **WALL BRACKET**).



- 5) **SET THE TILT ANGLE** – Once the speaker has nested securely on the pivot bolt, slide the second M6 60mm bolt into one of the holes in top of the wall bracket to set the angle.

5a) **TILT ANGLES** -- The bracket allows for +/-15 degrees of tilt.

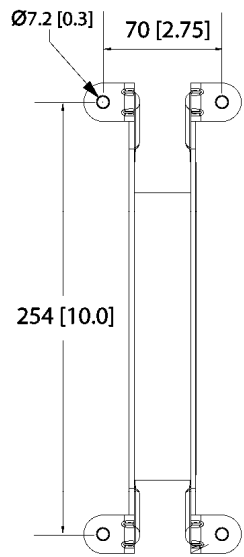
5b) PRE- SET ANGLES and CONTINUOUSLY VARIABLE ANGLE -- The bracket has through holes for mounting angles of +/- 15 degrees in 5 degree increments. There is also a slot above the holes for continuously variable adjustment. The pre-set angles are recommended for accurate aiming.



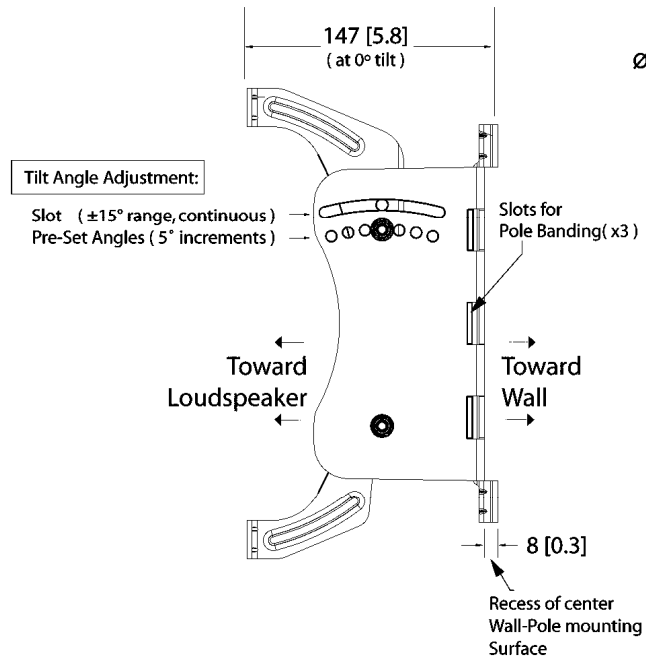
5C) SECURE THE ANGLE SETTING -- Once the angle has been chosen tighten both bolts with hardware provided.

6) Attach a safety cable (not included) to any of the 6 mm inserts on the back of the CBT 70J and/or 70JE cabinet using the included M6 mm bolt. Prepare to attach the other end of the cable to a secondary attachment point on the wall.

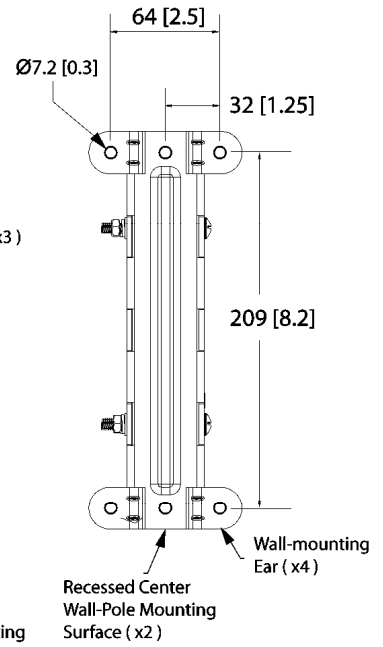
CBT 70J Bracket Dimensions



Loudspeaker-Mount Section

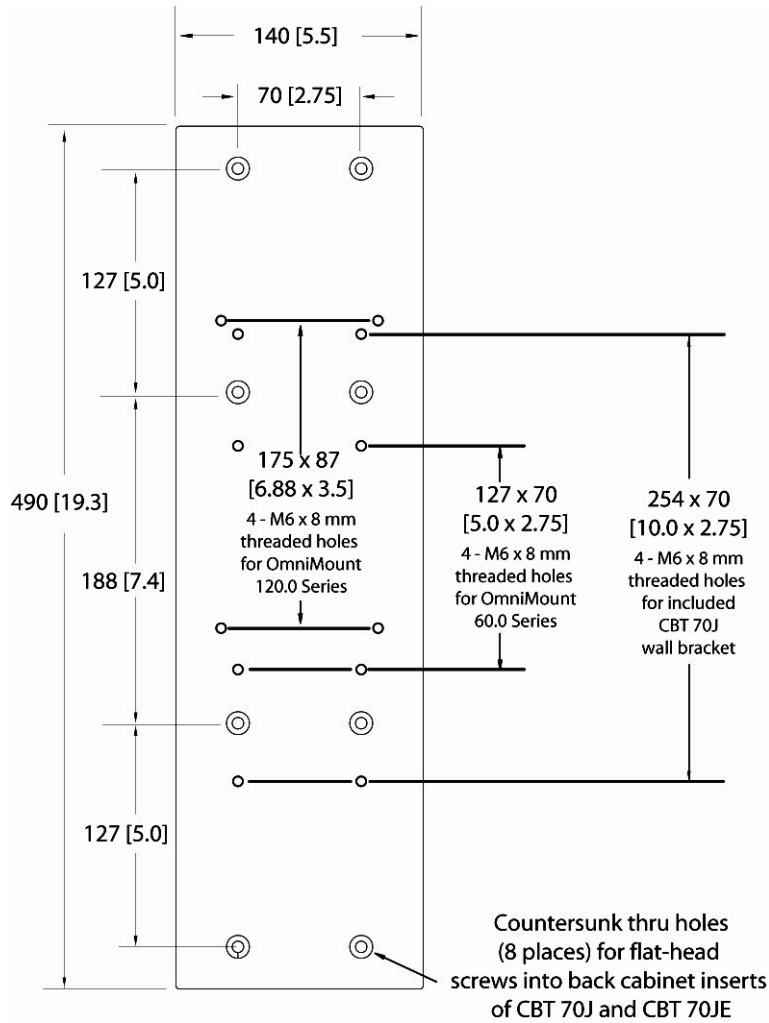


Assembled Bracket



Wall-Mount Section

CBT 70J and CBT 70JE Coupler Plate Dimensions & Connection Point Locations



JBL Professional
 8500 Balboa Boulevard, P.O. Box 2200
 Northridge, CA 91329 USA

H A Harman International Company