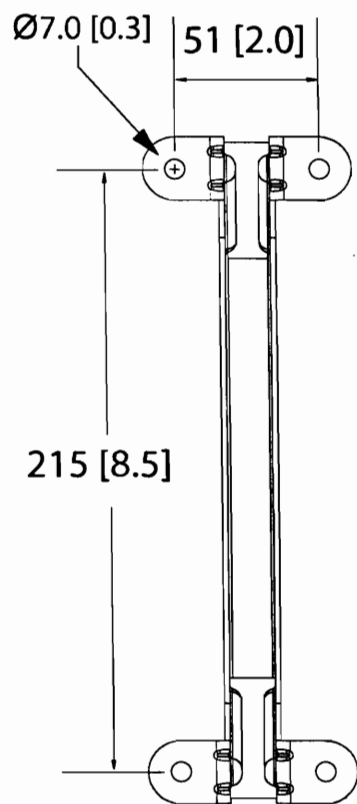


THESE DRAWINGS AND SPECIFICATIONS ARE THE PROPERTY OF JBL INCORPORATED. THEY ARE ISSUED IN STRICT CONFIDENCE AND SHALL NOT BE REPRODUCED OR USED AS THE BASIS FOR MANUFACTURE OF APPARATUS WITHOUT WRITTEN PERMISSION.

ALL MATERIAL SPECIFIED ON THIS DRAWING SHALL COMPLY WITH EUROPEAN DIRECTIVE 2002/95/EC

REVISIONS					
CHG	LTR	DESCRIPTION	ICRPT	DATE	APPR
38979	A	RELEASE TO MARKETING	FL		<i>[Signature]</i>

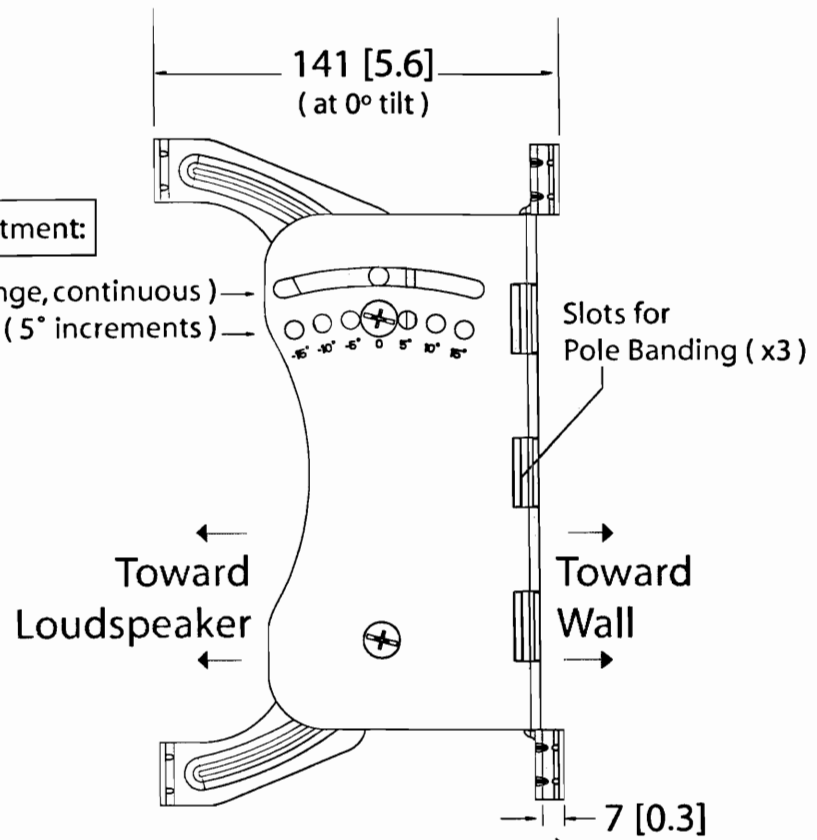
JBL CBT 50LA & 100LA Included Wall Bracket Dimensional & Mounting-Point Drawing



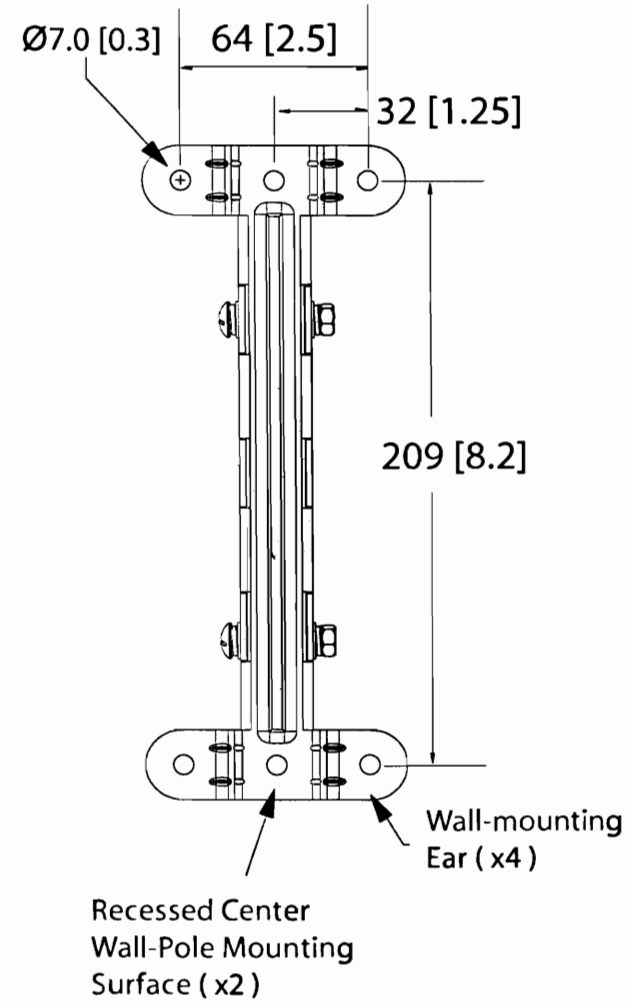
Loudspeaker-Mount Section

Tilt Angle Adjustment:

- Slot (±15° range, continuous)
- Pre-Set Angles (5° increments)



Assembled Bracket



Wall-Mount Section

NOTES: (UNLESS OTHERWISE SPECIFIED)

TOLERANCES
(UNLESS OTHERWISE SPECIFIED)

XXX ± 0.03 INCH
XX ± 0.125 INCH
ANGULAR TOLERANCE OF 0° ± 30°
FRACTIONAL DIMENSIONS ± 1/32

- DIMENSIONS ARE INCHES
- ALL DIMENSIONS ARE FINISHED DIMENSIONS
- DO NOT SCALE DRAWING

JBL PROFESSIONAL A Harman International Company Northridge, California 91329 U.S.A.		
TITLE CUSTOMER DRAWING: WALL BRACKET, CBT 50LA & 100LA		
SIZE A	DRAWING NO. 444538	REV A
SCALE NTS	SHEET 1 OF 1	