

8100 Series Ceiling Loudspeakers

8124, 8128 & 8138 models



QUICK START GUIDE

IMPORTANT SAFETY INSTRUCTIONS

1. READ these instructions.
2. KEEP these instructions.
3. HEED all warnings.
4. FOLLOW all instructions.
5. DO NOT use this apparatus near water.
6. CLEAN ONLY with dry cloth.
7. DO NOT block any ventilation openings. Install in accordance with the manufacturer's instructions.
8. DO NOT install near any heat sources such as radiators, heat registers, stoves, or other apparatus (including amplifiers) that produce heat.
9. DO NOT defeat the safety purpose of the polarized or grounding type plug. A polarized plug has two blades with one wider than the other. A grounding type plug has two blades and a third grounding prong. The wider blade or the third prong are provided for your safety. If the provided plug does not fit into your outlet, consult an electrician for replacement of the obsolete outlet.
10. PROTECT the power cord from being walked on or pinched, particularly at plugs, convenience receptacles, and the point where they exit from the apparatus.
11. ONLY USE attachments/accessories specified by the manufacturer.
12. CAUTION: Use only with a cart, stand, tripod, bracket, or table specified by the manufacturer, or sold with the apparatus. When a cart is used, use caution when moving the cart/apparatus combination to avoid injury from tip-over. Use with other equipment or carts may result in instability causing injury.
13. UNPLUG this apparatus during lightning storms or when unused for long periods of time.
14. REFER all servicing to qualified service personnel. Servicing is required when the apparatus has been damaged in any way, such as power-supply cord or plug is damaged, liquid has been spilled or objects have fallen into the apparatus, the apparatus has been exposed to rain or moisture, does not operate normally, or has been dropped.
15. To completely disconnect this apparatus from the AC Mains, disconnect the power supply cord plug from the AC receptacle.
16. Where the mains plug or an appliance coupler is used as the disconnect device, the disconnect device shall remain readily operable.
17. DO NOT overload wall outlets or extension cords beyond their rated capacity as this can cause electric shock or fire.
18. Follow all locally applicable laws, codes and regulations when installing, powering, operating or servicing the product.
19. Install and operate only as directed or a safety hazard could be created.



WATCH FOR THESE SYMBOLS:



The exclamation point, within an equilateral triangle, is intended to alert the user to the presence of important operating and maintenance (servicing) instructions in the literature accompanying the product.



The lightning flash with arrowhead symbol within an equilateral triangle is intended to alert the user to the presence of uninsulated "dangerous voltage" within the product's enclosure that may be of sufficient magnitude to constitute a risk of electrical shock to persons.



Read manual before use.



High sound pressure. Hearing damage risk. Do not listen at high volume levels for long periods.

WARNING: To reduce the risk of fire or electrical shock, do not expose this apparatus to rain or moisture.

WARNING: No naked flame sources – such as lighted candles – should be placed on the product.

WARNING: To be installed by instructed or skilled persons only.

This equipment is not suitable for use in locations where children are likely to be present.

WARNING: Equipment shall be connected to a MAINS socket outlet with a protective earthing connection.

CAUTION: To reduce the risk of electric shock, grounding of the center pin of this plug must be maintained.

WARNING: To avoid the risk of electric shock, do not connect the Live or Neutral conductor of power cord to the earthing terminal of the power connector.

WARNING: This product is intended to be operated ONLY from voltages that complies with local building and *electrical codes listed on the back panel or the recommended or included power supply of the product. Operation from other voltages other than those indicated may cause irreversible damage to the product and void the products warranty. The use of AC Plug Adapters is cautioned because it can allow the product to be plugged into voltages in which the product was not designed to operate. If you are unsure of the correct operational voltage, please contact your local distributor and/or retailer. If the product is equipped with a detachable power cord, use only the type provided, or specified by the manufacturer or your local distributor*



WARNING: Do Not Open! Risk of Electrical Shock. Voltages in this equipment are hazardous to life. No user-serviceable parts inside. Refer all servicing to qualified service personnel.

Place the equipment near a main power supply outlet and make sure that you can easily access the power breaker switch.

FCC AND CANADA EMC COMPLIANCE INFORMATION:

This device complies with part 15 of the FCC Rules. Operation is subject to the following two conditions:

- (1) This device may not cause harmful interference, and (2) this device must accept any interference received, including interference that may cause undesired operation.

CAN ICES-3 (A) / NMB-3(A)

FCC SDOC SUPPLIER’S DECLARATION OF CONFORMITY:

HARMAN Professional, Inc. hereby declares that this equipment is in compliance with the FCC part 15 Subpart B.

NOTE: This equipment has been tested and found to comply with the limits for a Class A digital device, pursuant to part 15 of the FCC Rules. These limits are designed to provide reasonable protection against harmful interference when the equipment is operated in a commercial environment. This equipment generates, uses, and can radiate radio frequency energy, and if it is not installed and used in accordance with the instruction manual, it may cause harmful interference to radio communications. Operation of this equipment in a residential area is likely to cause harmful interference, in which case the user will be required to correct the interference at his own expense.

WARNING: This product must not be used in residential areas. In a residential environment this equipment may cause radio interference.

CAUTION: Changes or modifications not expressly approved by the manufacturer could void the user's authority to operate this device.

WARNING: This equipment is compliant with Class A of CISPR 32. In a residential environment this equipment may cause radio interference.

NOTE: For interference purposes, the residential and domestic environments are defined as an environment within 10 meters of radio or broadcast receiving equipment or home use.

WEEE NOTICE:

The WEEE Directive 2012/19/EU on Waste Electrical and Electronic Equipment (WEEE), which entered into force as European law on 14/02/2014, resulted in a major change in the treatment of electrical equipment at end-of-life.

The purpose of this Directive is, as a first priority, the prevention of WEEE, and in addition, to promote the reuse, recycling and other forms of recovery of such wastes so as to reduce disposal. The WEEE logo on the product or on its box indicating collection for electrical and electronic equipment consists of the crossed-out wheeled bin, as shown below.

This product must not be disposed of or dumped with your other household waste. You are liable of dispose of all your electronic or electrical waste equipment by relocating over to the specified collection point for recycling of such hazardous waste. Isolated collection and proper recovery of your electronic and electrical waste equipment at the time of disposal will allow us to help conserving natural resources. Moreover, proper recycling of the electronic and electrical waste equipment will ensure safety of human health and environment. For more information about electronic and electrical waste equipment disposal, recovery, and collection points, please contact your local city center, household waste disposal service, shop from where you purchased the equipment, or manufacturer of the equipment



If you have questions about how to install or operate the product, please contact Harman Professional, Inc. Technical support:

Technical support in North America, please contact: HProTechSupportUSA@harman.com Phone: (844) 776-4899

Technical support outside North America, please contact your local distributor.

HARMAN Professional, Inc.
8500 Balboa Blvd. Northridge, CA 91325 USA

EU: HARMAN Professional Denmark ApS
Olof Palmes Allé 44, 8200 Aarhus N, Denmark

UK: HARMAN Professional Solutions
2 Westside, London Road, Hemel Hempstead, HP3 9TD, UK



Thank you for purchasing 8100 Series Ceiling speakers which offer High-fidelity performance at a cost-effective price point.



Models

8124 - 4-inch (100mm), Full-range, In-Ceiling Loudspeaker.

8128 – 8-inch (200mm), Full-range, In-Ceiling Loudspeaker.

8138 - 8-inch (200mm), Full-range, In-Ceiling Loudspeaker for use with Pre-Install backcans.

INSTALLATION & WIRING

Step 1: Cut the Hole

Cutout the hole size by scribing a hole using the cutout sizes mentioned below. Use a safe cutting tool to cut the hole using proper personal protection equipment. Be precise, not deviating from the cutout diameter by more than 1/16th of an inch (1.5 mm). Pull the wiring through the cutout hole.

Ceiling Cut-out sizes:

8124 – 175 mm diameter (6.9in)

8128 – 260 mm diameter (10.1in)

8138 - 228 mm diameter (9.0in)

8138 with Backcan - 300 mm diameter (11.75in)

For most installations, these speakers can be installed on their own without the need for additional accessories. The MTC-RAIL tile rail sets and C-Rings are available separately if required.

For 8138, pre-installed backcan is required. MTC-81BB8 - Pre-Install In-Ceiling Backcan (sold separately) is compatible with 8138. For suspended ceilings, JBL MTC-81TB8 tile bridge (sold separately) can also be used.



MTC-81BB8
Pre-Install In-Ceiling
Backcan



MTC-81TB8
Pre-Install In-Ceiling
Tile-Bridge

Step 2 Connect the Wiring

Wires coming from amplifier can be joined with wires from the speaker according to the connection required. Each transformer tap has a different colored wire. The connection can be made using a wire connector (not included) or by twisting wires together and then securing the connection with electrical tape.

Connections

All models of 8100 series feature Transformer enabling them to be used in 70V/100V distributed speaker line. The termination is on bare wires of different colors. The colors of wires is according to transformer taps as shown:

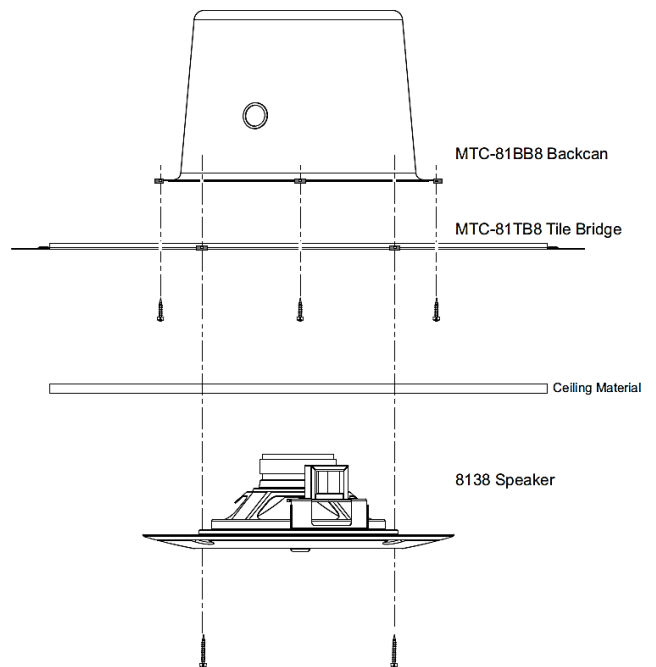
70V	.75W	1.5W	3W	6W	Com
100V	1.5W	3W	6W	N/C	Com
	WHITE	BLUE	BROWN	ORANGE	BLACK

Step 3 Insert the Speaker into the Ceiling

Insert the speaker into the ceiling cutout as far as it goes, until the back of the front baffle rim touches the ceiling.

Then tighten the Dog-ears by turning the screw CLOCKWISE until tight onto the top of the ceiling surface. Do not Over-Tighten.

For 8138, use included four M4 screws to attach the speaker. Install screw through thru-hole in speaker, screw into clip nut in tile bridge, and through thru-hole in backcan.



Step 4 Attach the grille

Push the press-fit grill on the speaker baffle evenly till the edge of the grill aligns with the baffle.