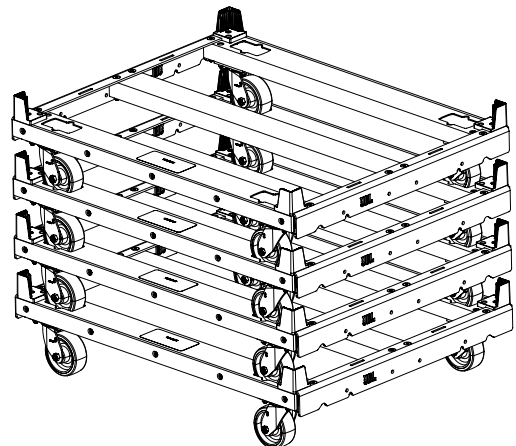
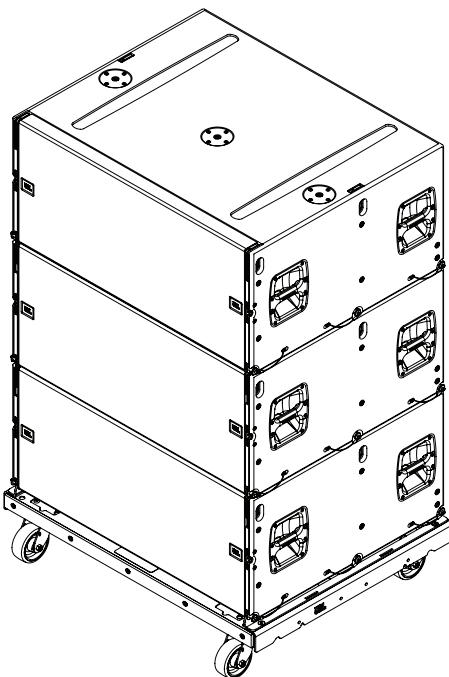


## HIGHLIGHTS

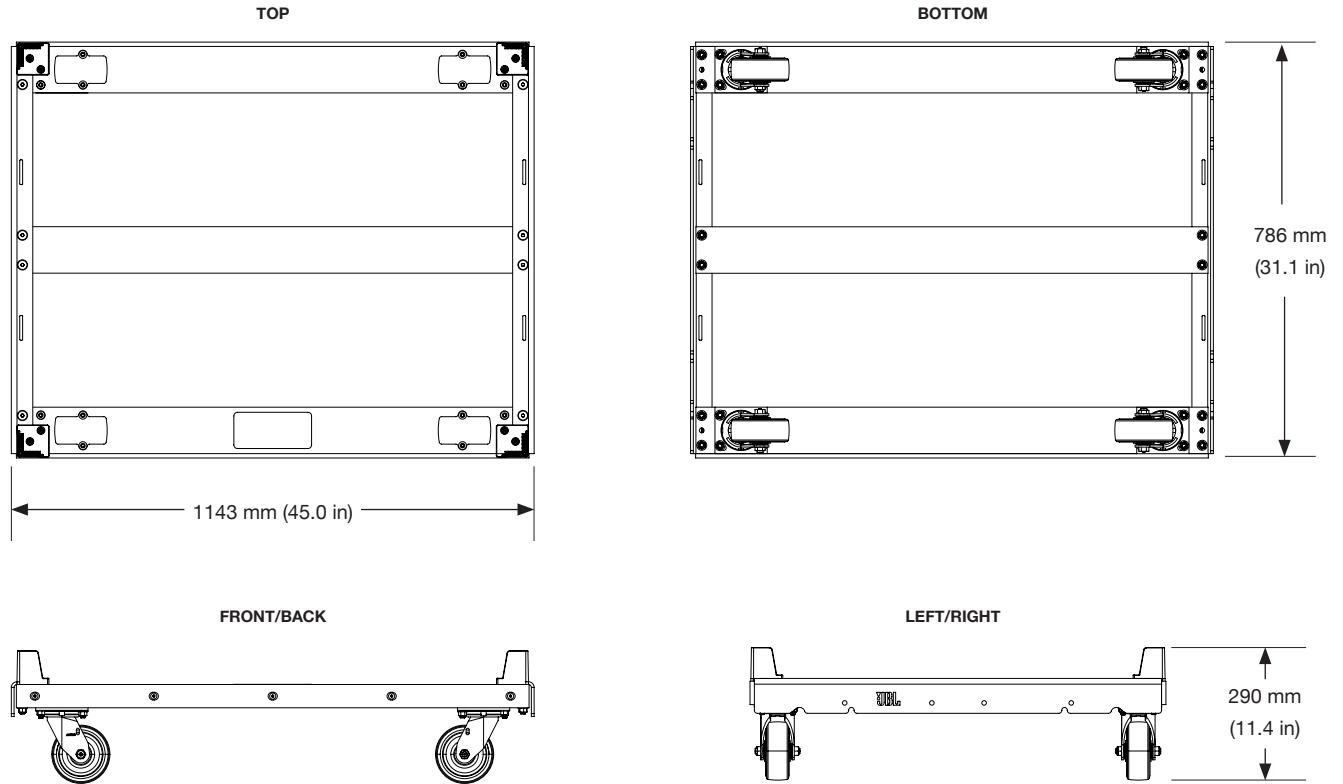
- Vertical transport cart for VTX B35
- Truck-friendly footprint
- Integrated stacking features for efficient storage
- Lightweight aluminum and steel construction
- Heavy-duty four-grade casters
- Compatible with the VTX A12 VT GND outrigger system

## DESCRIPTION

The VTX B35 VT Vertical Transporter is a lightweight, robust cart solution for transporting up to four VTX B35 or VTX B35G enclosures. Constructed from aluminum and steel, the VTX B35 VT measures 1143 mm (45 in) wide and 786 mm (31.1 in) deep. Its footprint is optimized for efficient truck packing alongside VTX A12 VT transporters, enabling efficient transportation and storage. Stacks of two, three, or four enclosures can be transported, and the VTX B35 VT CVR reinforced protective cover is available separately. Mounting points on each side of the transporter support attachment of the VTX A12 VT GND outrigger system, providing additional stability for taller B35 ground stacks and mixed ground-stacked configurations with B-Series subwoofers and compatible VTX full-range loudspeakers. The VTX B35 VT includes the brackets and hardware required to accommodate both VTX B35 and VTX B35G enclosures. A ratchet strap is also included for securing B35G enclosures during transportation. For more information on the Vertical Transporter and its applications, refer to the **VTX B35 Rigging Manual**.



## DIMENSIONS



## TECHNICAL SPECIFICATIONS

### PHYSICAL

**Construction :** High-grade steel with anti-corrosion coating and aluminum

**Finish :** Black powder coat, black anodized aluminum

#### Mechanical Limits

**Maximum :** (4) VTX B35 or VTX B35G

**Dimensions (H x W x D)<sup>1</sup> :** 290 mm x 1143 mm x 786 mm  
(11.4 in x 45.0 in x 31.1 in)

#### Net Weight<sup>2</sup> :

**Configured for B35 :** 30.6 kg (68 lb)

**Configured for B35G :** 27.9 kg (62 lb)

**Shipping Weight :** 43.3 kg (95.5 lb)

### ORDERING INFORMATION

**SKU :** JBL-P3647MX | VTX B35 VT

**Included :** (1) VTX B35 VT | (1) Bracket Set for VTX B35G | (1) Black Ratchet Strap

#### Footnotes:

1: Dimensions are based on the VTX B35G configuration. Refer to the 2D and 3D Customer Drawings for more detailed dimensions.

2: Weight includes the VTX B35 VT only. The soft cover and ratchet strap are not included.

JBL continually engages in research related to product improvement. Some materials, production methods and design refinements are introduced into existing products without notice as a routine expression of that philosophy. For this reason, any current JBL product may differ in some respect from its published description, but will always equal or exceed the original design specifications unless otherwise stated.