

4

3



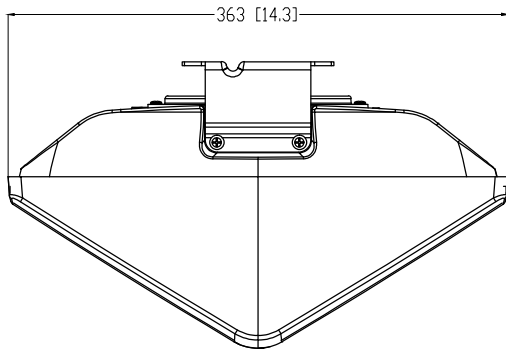
2

1

THESE DRAWINGS AND SPECIFICATIONS ARE THE PROPERTY OF JBL INCORPORATED. THEY ARE ISSUED IN STRICT CONFIDENCE AND SHALL NOT BE REPRODUCED OR USED AS THE BASIS FOR MANUFACTURE OR APPARATUS WITHOUT WRITTEN PERMISSION.

REVISIONS			
LTR	DESCRIPTION	DRFT	DATE
A	RELEASE TO MARKETING	JS	9/23/2015

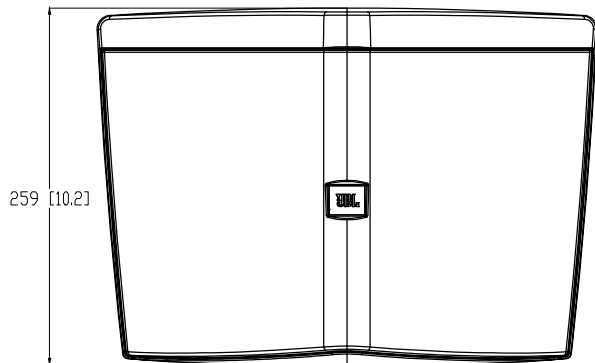
D



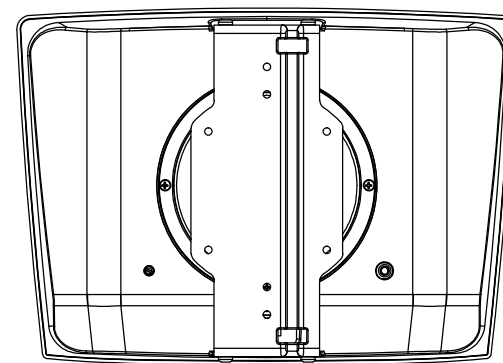
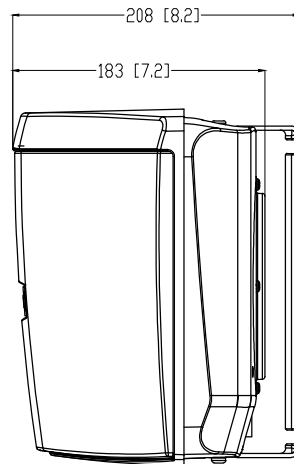
C



B



A



D

C



B

A

4

3



2

1

TOLERANCES
(UNLESS OTHERWISE SPECIFIED)

XXX ± .063 INCH
XX ± .125 INCH

ANGULAR TOLERANCE OF 0°30'

FRACTIONAL DIMENSIONS ± 1/32

■ DIMENSIONS ARE MM (INCHES)
■ ALL DIMENSIONS ARE FINISHED DIMENSIONS
■ DO NOT SCALE DRAWING

		JBL PROFESSIONAL A Harman International Company Northridge, California 91329 U.S.A.	
TITLE CUSTOMER DRAWING, CONTROL HST			
SIZE A	DRAWING NO. 1000224327	REV A	
SCALE NTS	SHEET 1	OF 1	