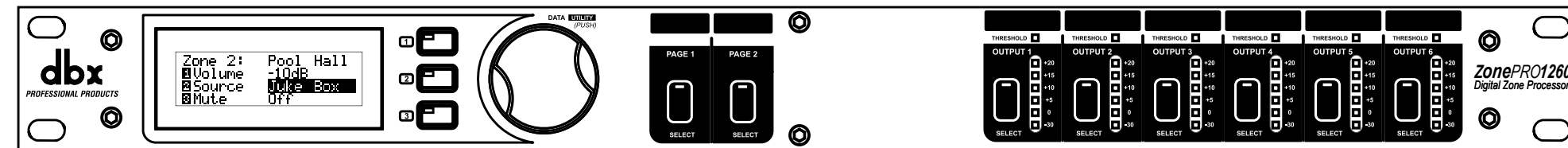




801.566.8800
dbxpro.com

ZonePRO Quick Start Guide
PN: 5059564-A



ZonePRO Quick Start Guide

WHAT'S IN THE BOX

- ZonePRO Processor
- Power Cable
- RS-232 Null Modem Cable
- Rack Mount Screw Kit

PRODUCT REGISTRATION

Register your product at http://dbxpro.com/en-US/support/warranty_registration or scan the code to the right with a QR scanner app on your mobile device.



DOWNLOAD THE INSTALL GUIDE

Get the install guide at <http://dbxpro.com/en-US/products/1260#documentation> or scan the code to the right with a QR scanner app on your mobile device.



WATCH THE TRAINING VIDEOS

Watch the ZonePRO training videos at <http://dbxpro.com/en-US/training> or scan the code to the right with a QR scanner app on your mobile device.



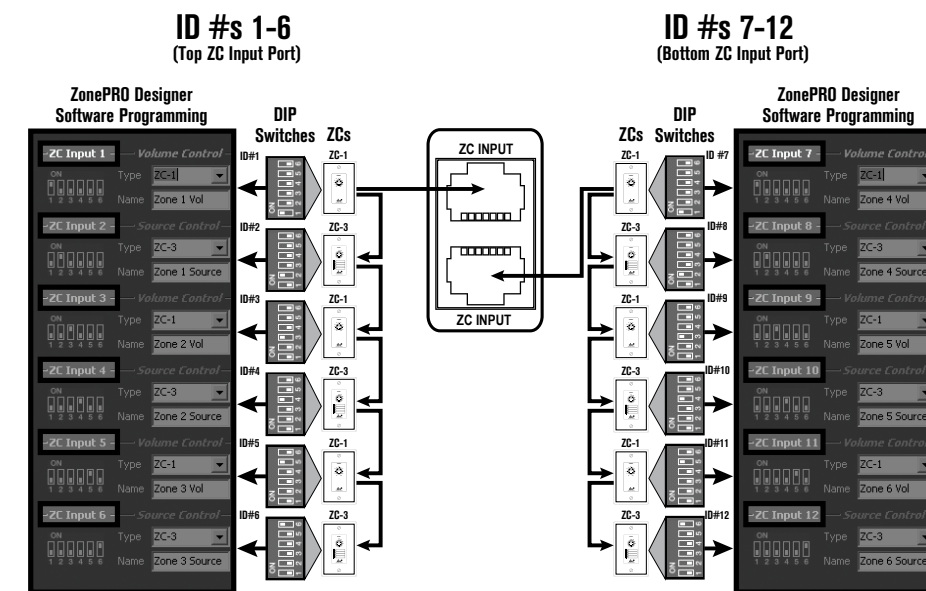
1 Download & Install ZonePRO Designer

Download and install the latest version of the ZonePRO Designer software application from <http://dbxpro.com/en-US/software>.

NOTE: It is recommended that virus protection/malware software be disabled during ZonePRO Designer installation.

2 Connecting Zone Controllers

Zone Controllers (ZCs) must be connected in a daisy-chain fashion using straight-through CAT5 cables. The below diagram shows the maximum number of 12 ZCs connected to a ZonePRO device, how each ZC's DIP switches would be assigned, and how the ZC ID assignments match up with the ZonePRO Designer programming.



NOTE: If using a ZC-BOB, all CAT5 cables must be home run from each ZC to the ZC-BOB. Daisy chaining ZCs off the ZC-BOB is not supported. A ZC must be configured as ID #1 to be used for scene control and a ZC-FIRE must be configured as ID #2.

3 Connecting to a ZonePRO Device

Connect your computer to the ZonePRO device using either the included RS-232 Null Modem cable or via Ethernet as shown in the below diagrams.

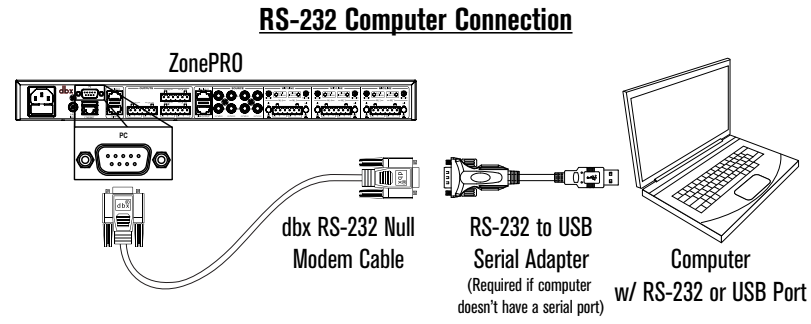


Diagram A

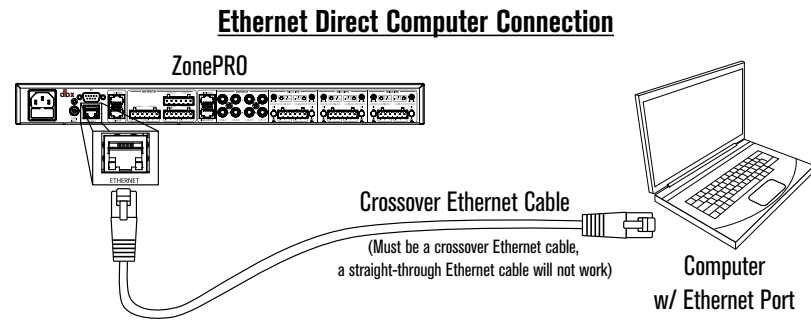


Diagram B

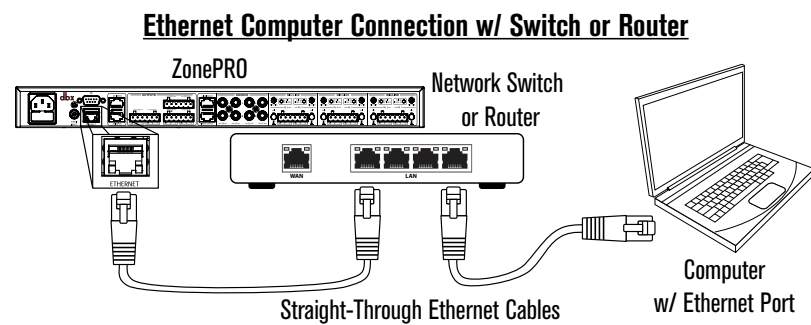


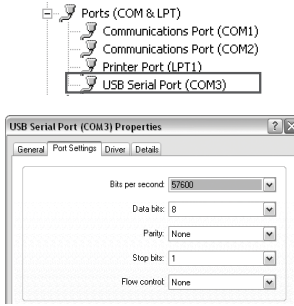
Diagram C

4 Going Online with a ZonePRO Device

You can connect to a ZonePRO device (referred to as going “online”) then program it in real time or load a pre-programmed file into the device. To go online with a ZonePRO device follow these steps:

A. To Connect via Serial

Go to Windows **Device Manager > Ports (COM & LPT)** and double-left-click on the COM port you wish to use for connecting to the ZonePRO.



Make sure the serial port settings are set as shown in the screenshot to the right.

NOTE: Not all USB to Serial Adapters will work with the ZonePRO devices. Please visit dbxpro.com for additional information on compatible USB to Serial adaptors.

Go to step C.

To Connect via Ethernet

In order to initially connect to a ZonePRO device via Ethernet, the computer must have an IP address that conforms to the Automatic Private IP Addressing standard (i.e., IP: 169.254.X.X, subnet mask: 255.255.0.0).

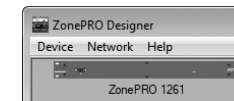
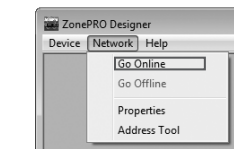
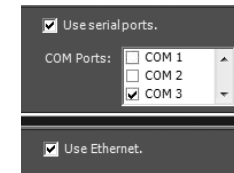
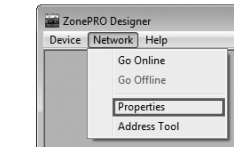
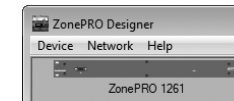
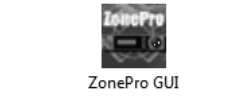
Go to Windows **Start Menu > Control Panel > Network and Internet > Networking and Sharing Center > Local Area Connection > Properties**. Double-left-click the “Internet Protocol Version 4” option.



If connecting directly to the computer (as shown in *Diagram B* to the left), take note of your current settings and set your computer's network interface card to obtain an IP address automatically then click the **OK** button.

If connecting via a router or switch with DHCP enabled (as shown in *Diagram C* to the left), take note of your current settings and set the computer's network interface card with a static IP address, such as the one shown to the right, then click the **OK** button.

B. Launch the ZonePRO Designer application.



C. A ZonePRO icon should automatically appear in the main window if a connection to the ZonePRO device is established. Double-left-click the ZonePRO icon to open the Program Screen window then go to step 5.

If the ZonePRO Device icon did not automatically appear, go to **Network > Properties**.

If connecting via serial, ensure the “Use serial ports” box is checked and that the COM port number identified in step A is checked then click the **Finish** button.

If connecting via Ethernet, uncheck the “Use serial ports” box and ensure the “Use Ethernet” box is checked then click the **Finish** button.

Select **Network > Go Online**.

The ZonePRO icon should appear in the main window. Double-left-click the icon to open the Program Screen window then go to step 5.

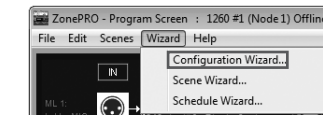
If a connection to the ZonePRO device still can't be established, please refer to the ZonePRO Install Guide.

5 Programming a ZonePRO

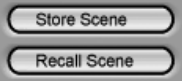
A. From the Program Screen window, go to Wizard > Configuration Wizard.

Follow the on-screen instructions to program the ZonePRO device.

When done, click the **Finish** button

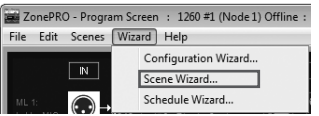


B. Double-left-click any blocks in the Program Screen window to edit ZonePRO audio processing settings.



C. Store the programmed scene by clicking the Store Scene button, selecting the scene location, naming the scene, then clicking the OK button.

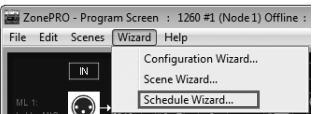
D. If scene recalls requiring Zone Controller assignment changes are required for the application, such as when combining rooms, select Wizard > Scene Wizard.



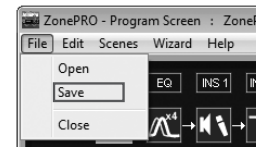
Follow the on-screen instructions then click the **Finish** button.

Repeat steps B-D until all scenes required for the application have been created.

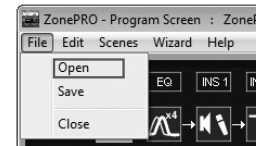
E. If required for the application, select Wizard > Schedule Wizard to schedule automatic ZonePRO scene changes.



F. To save the program file to your computer's hard drive for backup or for loading into a ZonePRO device at a later time, select File > Save from the Program Screen window.



G. To load a program file into a ZonePRO device, select File > Open from the Program Screen window then select the ZPD file from your computer's hard drive.



Thanks for choosing dbx.