



# NANO358SP

## 18" Self-Powered Subwoofer

### Professional Series

#### Features:

- ▶ Self-powered 18" subwoofer
- ▶ JBL premium transducers
- ▶ Maximum SPL output: 134 dB
- ▶ Frequency Range (-10dB): 31Hz - 150 Hz
- ▶ Frequency Response (-3dB): 42.5 Hz - 150 Hz
- ▶ JBL engineered crossover presets
  - NANO (Default)
  - 80 Hz
  - 100 Hz
  - 120 Hz
- ▶ 36 mm pole cup for use with full-range speakers
- ▶ Rugged stage-ready DuraFlex™ enclosure



#### Applications:

- ▶ Sound reinforcement for live performance, band gigging, small concert
- ▶ For use with NANO300 full-range speakers

NANO358SP is an 18-inch self-powered portable subwoofer designed for a variety of live sound reinforcement applications supporting NANO full-range speakers. As one of the many representatives of recognized JBL craftsmanship, NANO358SP chooses carefully-selected material and quality components and is built to combine utility and portability with extraordinary acoustic performance.

The NANO358SP enclosure is designed to maximize cabinet volume while maintaining a highly transportable footprint. JBL premium transducer ensures the NANO358SP to be the loudest, lowest and cleanest subwoofer in its class.

NANO358SP comes with four crossover presets. By default, NANO358SP uses the "NANO" tuning, where a 100HZ crossover has been specifically tuned to compliment the NANO full-range speakers. For applications with other full-range speakers, 80Hz, 100Hz and 120Hz can be selected from.

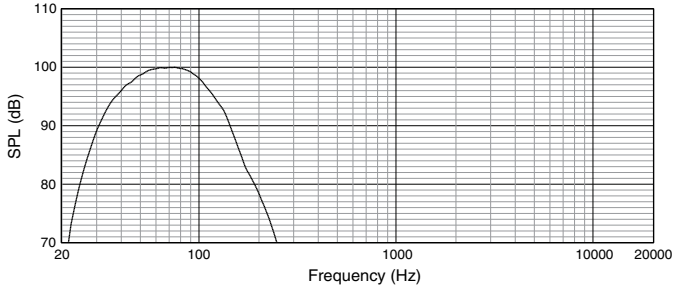
#### Specifications:

<b>System:</b>	
System Type:	Self-powered 18" Subwoofer
Maximum SPL Output:	134 dB
Frequency Range (-10 dB):	31 Hz - 150 Hz
Frequency Response (-3 dB):	42.5 Hz - 150 Hz
<b>Amplifier:</b>	
System Power Rating (Peak/Continuous):	1000 W/500 W
Input Impedance:	22 k (balanced)
Line Input Gain:	0 - 36 dBu
Maximum Input Level (Line):	+14 dBu
Connectors:	2 × Balanced XLR-1/4" combination inputs; 2 × male XLR loop-thru out
Cooling:	Passive
AC Power Input:	100-120 VAC 50/60 Hz; 230-240 VAC 50/60 Hz
AC Power Consumption (120V~):	1/8th Power - 1.14 A(Max), 1/4th Power - 1.71 A(Max), 1/3rd Power - 2.03 A(Max)
<b>Speaker:</b>	
LF Driver:	1 × JBL 618H 18" (457 mm) woofer with 2" voice coil
Crossover Frequency:	Selectable: 80 Hz, 100 Hz or 120 Hz
<b>Enclosure:</b>	
Material:	DuraFlex™ coated wooden enclosure
Suspension/Mounting:	36 mm Pole Cup
Handles:	2
Grille:	Power coated, Obsidian, perforated steel with acoustically transparent black cloth backing
Dimensions (L × W × H):	582 mm × 668 mm × 645 mm (22.9" × 26.3" × 25.4")
Weight:	35.5 kg (78.2 lbs)

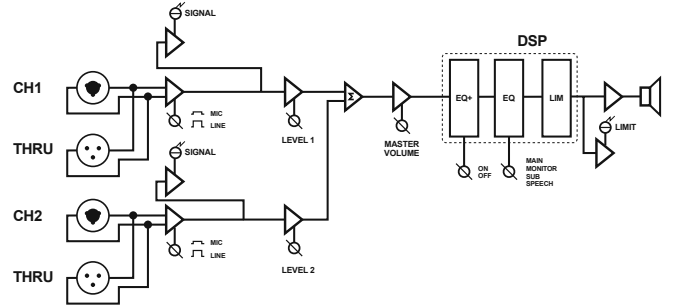
JBL continually engages in research related to product improvement. Some materials, production methods and design refinements are introduced into existing products without notice as a routine expression of that philosophy. For this reason, any current JBL product may differ in some respect from its published description, but will always equal or exceed the original design specifications unless otherwise stated.

# ▶ NANO358SP 18" Self-Powered Subwoofer

## Frequency Response:

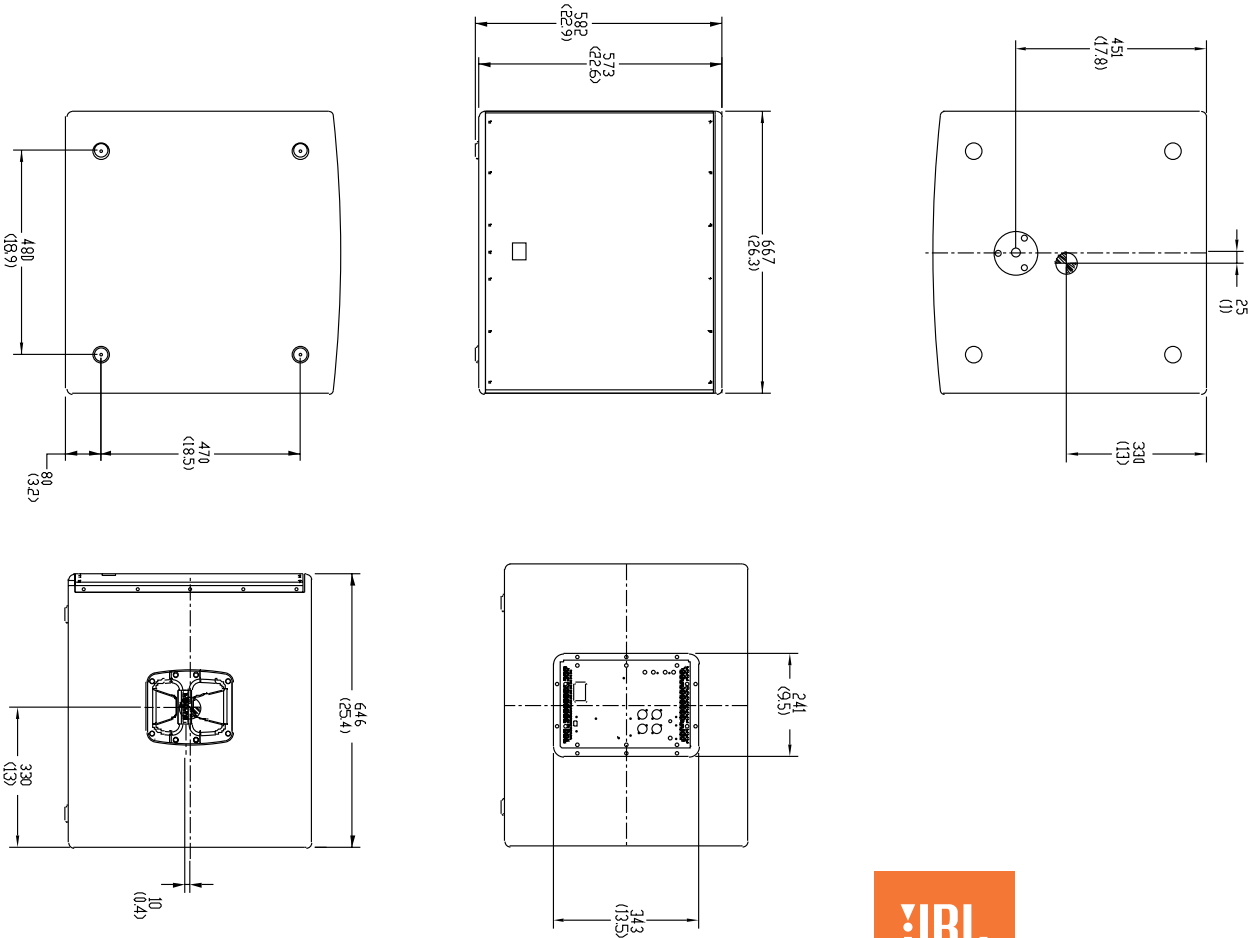


## Block Diagram:



## Dimensions:

Dimensions in mm /inch



JBL Professional  
 8500 Balboa Boulevard, P.O. Box 2200  
 Northridge, California 91329 U.S.A.

© Copyright 2017 JBL Professional  
 www.jblpro.com

NANO358SP  
 SZ  
 09/17