

CVL28

Dual 8" Passive Line Array Loudspeaker



CVL28 is an innovative, compact, full-range line array loudspeaker using JBL line array technology for small to mid-sized venues sound reinforcement. CVL28 was engineered to deliver high quality audio to installations such as multi-purpose halls, stadiums, banquet halls and many more. Its ability to be suspended gives users incredible coverage and flexibility when compared to ground-based solutions.

With legendary JBL transducers, the CVL28 delivers high performance, efficiency, and wide horizontal coverage. CVL28 combines two 8-inch low-frequency woofers and one 3-inch titanium compression HF driver in a single compact cabinet. CVL28 also features an easy-to-use rigging system for streamlined deployment. It is compact, lightweight, and easy to hoist, and can be installed in combination with CVL18S.

A maximum of eight CVL28 loudspeakers can be suspended, whose quantity and coverage angle can be adjusted based on the specific application scenario. The angle can be adjusted from 0° to 12° in the vertical direction.

KEY MESSAGES ■

Inside The Innovations

CVL28 employs one 3-inch JBL 2432H-1 HF unit and two 8-inch subwoofers to deliver higher output, lower distortion and greater low-frequency extension.

2-Way Symmetrical Design

CVL28 features a 2-way symmetrical design and is a passive line array loudspeaker, which can switch between two working modes: Bi-amp and Passive.

Flexible Installation

CVL28 is compact, lightweight, and easy to rig. It can be installed in combination with CVL18S to meet the needs of different applications. It employs connection-friendly phoenix connectors, making installation faster and easier.

Spare Part Info

5 x M8 16 mm stainless steel screws

3 x 4-pin Phoenix plugs

Note: Please mount the speaker with screws provided in the accessory package during installation.

PRODUCT HIGHLIGHTS ■

High Performance

CVL28 adopts the industry-leading JBL 2432H-1 high frequency driver and two 8" woofers. Its 2-way symmetrical design provides extraordinary output with horizontal coverage to 110°.

JBL Transducers

The JBL 2432H-1 high-frequency transducers feature SonicGuard™ overload protection for preventing damage from occasional overdriving.

Durable Build Quality

CVL cabinets are built using the highest quality materials and finished with JBL's DuraFlex™ impact resistant coating to ensure years of worry-free operation.

SPECIFICATIONS ■

System Type	Dual 8" Passive Line Array Loudspeaker
Frequency Range (-10 dB) ¹ :	90 Hz – 20 kHz
Frequency Range (±3 dB) ¹ :	140 Hz – 20 kHz
Coverage Angle:	110° x 12°
Horizontal:	110°
Vertical:	12°
Rated Input Power ³ :	400 W / 800 W / 1600 W (continuous / music / peak)
Rated Impedance:	8 ohms
Sensitivity (1w@1m) ¹ :	101 dB
Maximum Peak Output SPL ² :	139 dB Peak

Transducers	
Low Frequency Driver:	2 x 8" LF Driver Unit
High Frequency Driver:	HF: JBL 2432H-1, 3" titanium compression HF driver

Appearance	
Box Structure:	15 mm Poplar plywood, fitted with handle, and black DuraFlex™ finish
Suspension:	Stainless steel screw fixation, left and right suspension rigging, back adjustment Angle bracket
Inter-enclosure Angle:	0, 1, 2, 3, 4, 5, 6, 8, 10 and 12°
Grille:	1.5 mm perforated iron mesh, with acoustically transparent black cloth backing
Connector:	2 x Phoenix plug in parallel for loop-through output (Selectable Bi-amp and Passive modes)
Type:	2 x Phoenix Terminals
Pin Assignments:	Bi-amp low frequency: 1+, 1-, high frequency: 2+ 2-, passive full range: 1+, 1-
Dimension (H x W x D):	262.8 x 662 x 387.2 mm
Net Weight:	23 kg

Footnotes:

1: Measured in a full space (4π) condition.

2: The maximum sound pressure level is calculated according to the rated power.

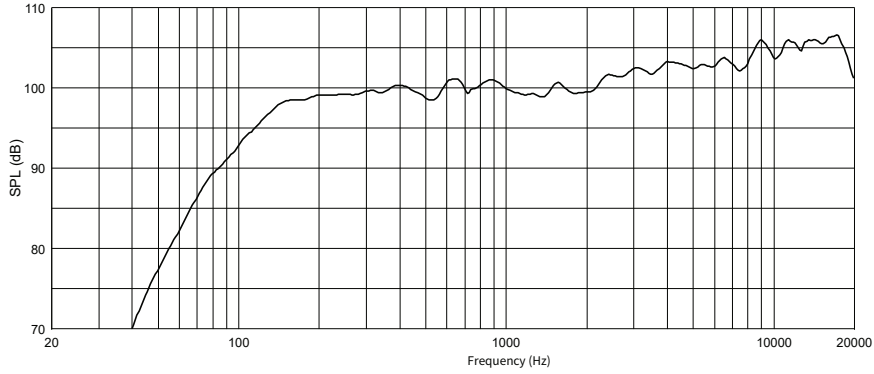
3: According to IEC standard, tested for 2 hours under pink noises with a crest factor of 12 dB. JBL continually engages in research related to product improvement. Some materials, production methods and design refinements are introduced into existing products without notice as a routine expression of that philosophy. For this reason, any current JBL product may differ in some respect from its published description, but will always equal or exceed the original design specifications unless otherwise stated.

CVL28

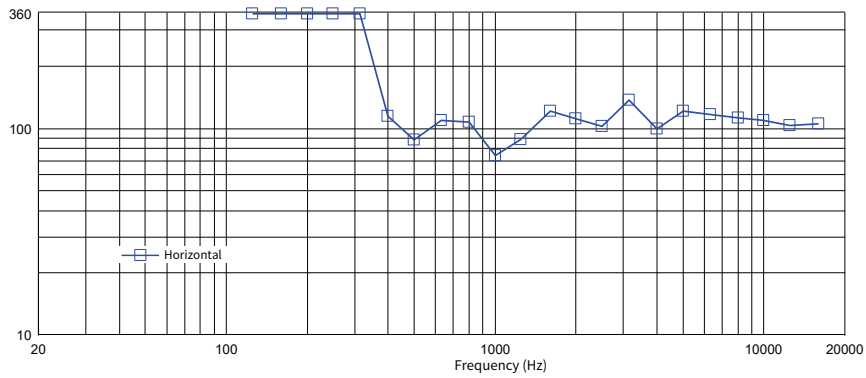
Dual 8" Passive Line Array Loudspeaker



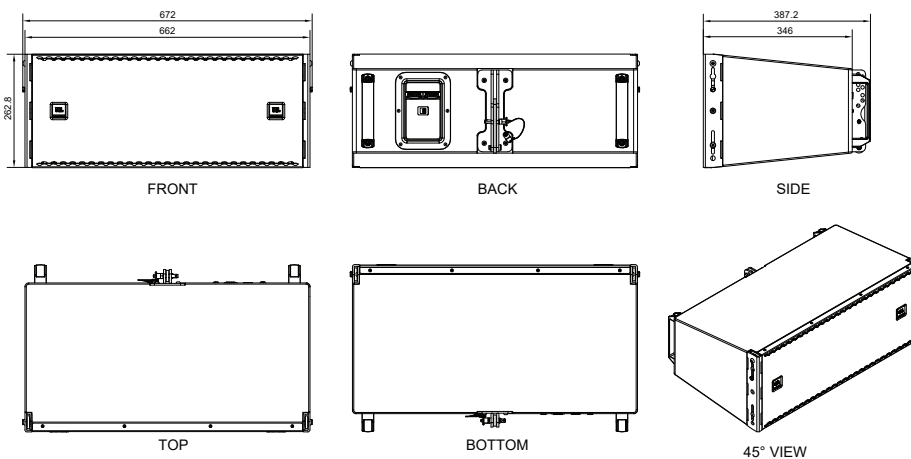
Frequency Response ■



Horizontal Polarity Diagram ■



Engineering Drawing ■



HARMAN Professional 8500 Balboa Blvd. Northridge, CA 91329 USA

© 2022 HARMAN International Industries, Inc All rights reserved.
Features, specifications and appearance are subject to change without prior notice.

www.jblpro.com

Released on: July 2022