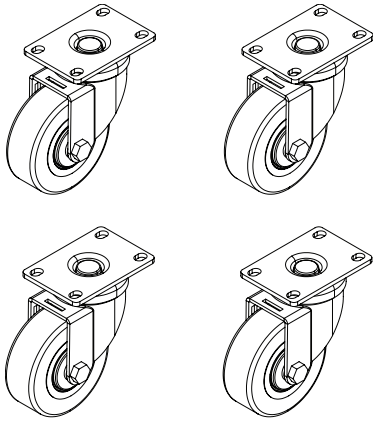




# ACK1

Accessory Caster Kit

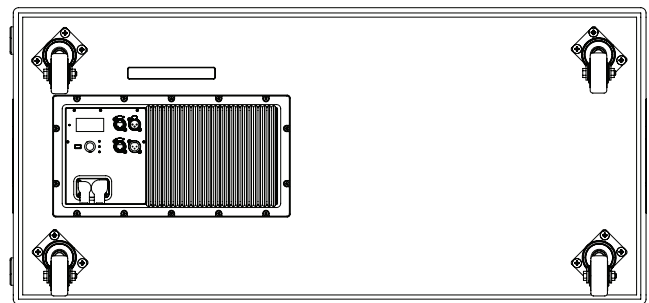
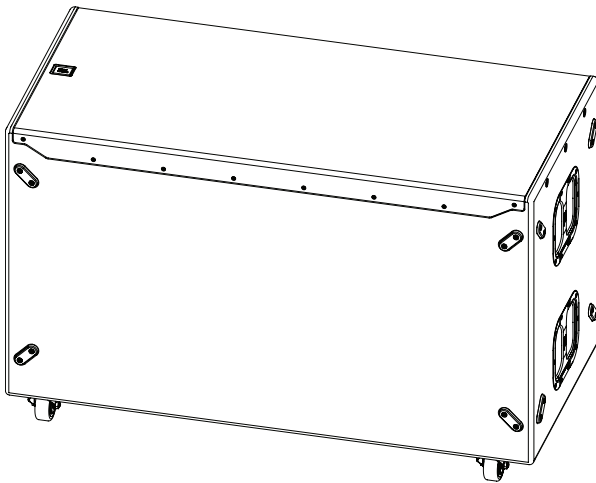


## HIGHLIGHTS

- Universal caster kit for JBL products
- Black housing for discreet look
- Black polyurethane wheel
- Anti-rattle features for vibration-free operation

## DESCRIPTION

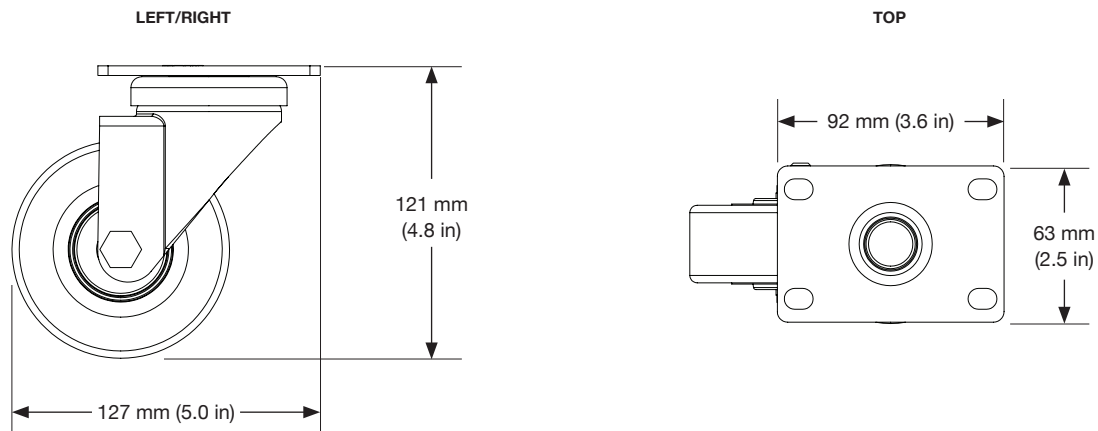
The ACK1 is a universal caster kit accessory designed for use with compatible JBL products to facilitate system transport and handling. The kit includes four four-grade casters and all required mounting hardware. The caster housings and wheels are finished in black for a discreet appearance, even when the rear of the product is visible to the audience, such as in cardioid subwoofer configurations. Each caster has a load rating of 100 kg (220 lbs), and the wheels are made of durable black polyurethane. For more information about attachment and use, refer to the product's **Rigging and User Manuals**.



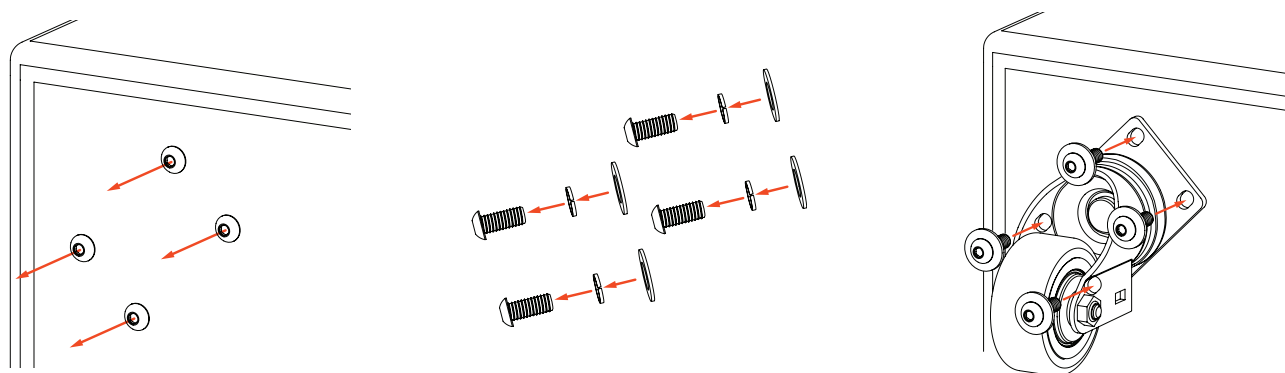
## COMPATIBILITY

Compatible SKUs : SRX915SF | SRX918S | SRX918SF | SRX928S

## DIMENSIONS



## INSTRUCTIONS



Note: Apply a torque value of 3.9 Nm (35 in-lb) and non-permanent thread lock.

## TECHNICAL SPECIFICATIONS

### PHYSICAL

#### Construction

**Base:** Steel with black paint  
**Wheel:** Black polyurethane

**Caster Size:** 90 mm (2.5 in)

**Caster Load Capacity:** 100 kg (220 lbs) per caster

**Dimensions (H x W x D):** 121 mm x 63 mm x 127 mm  
 (4.8 in x 2.5 in x 5.0 in)

**Net Weight:** 3.4 kg (7.5 lbs)  
**Shipping Weight:** 3.9 kg (8.5 lbs)

### ORDERING INFORMATION

**SKU:** JBL-P3291MX | ACK1

**Included:** (4) Casters | Installation Hardware

JBL continually engages in research related to product improvement. Some materials, production methods and design refinements are introduced into existing products without notice as a routine expression of that philosophy. For this reason, any current JBL product may differ in some respect from its published description, but will always equal or exceed the original design specifications unless otherwise stated.