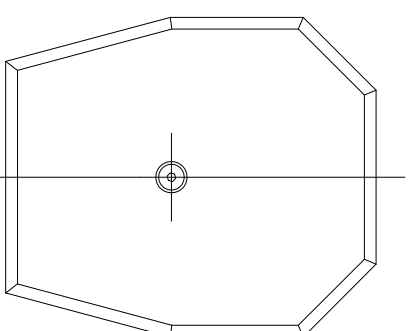
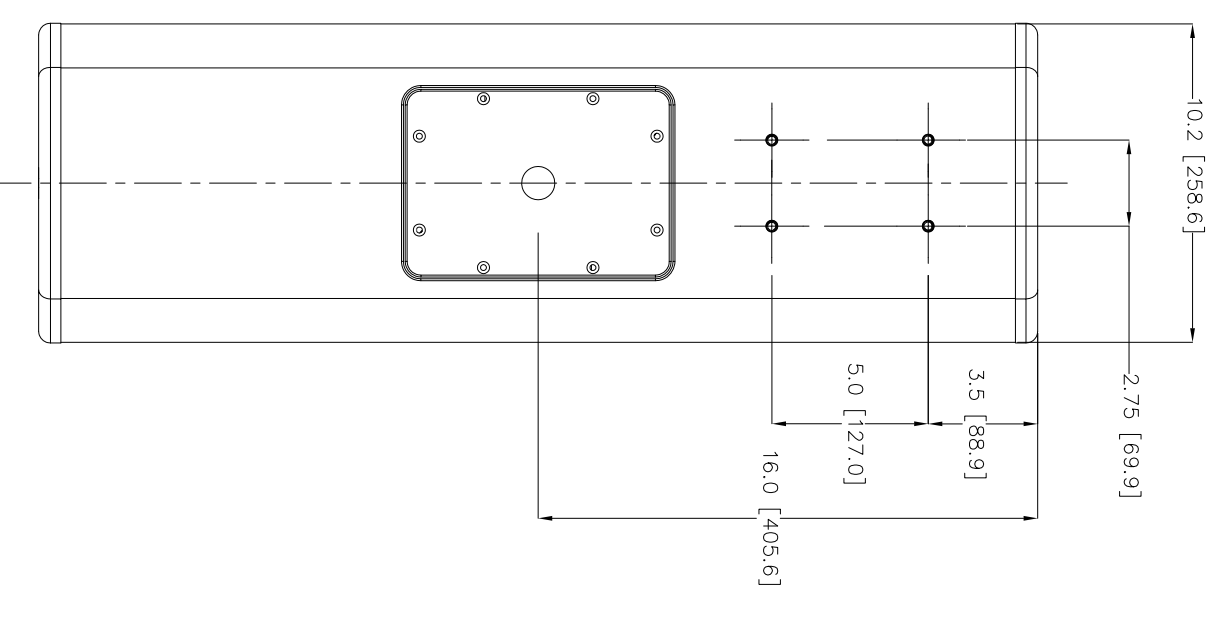
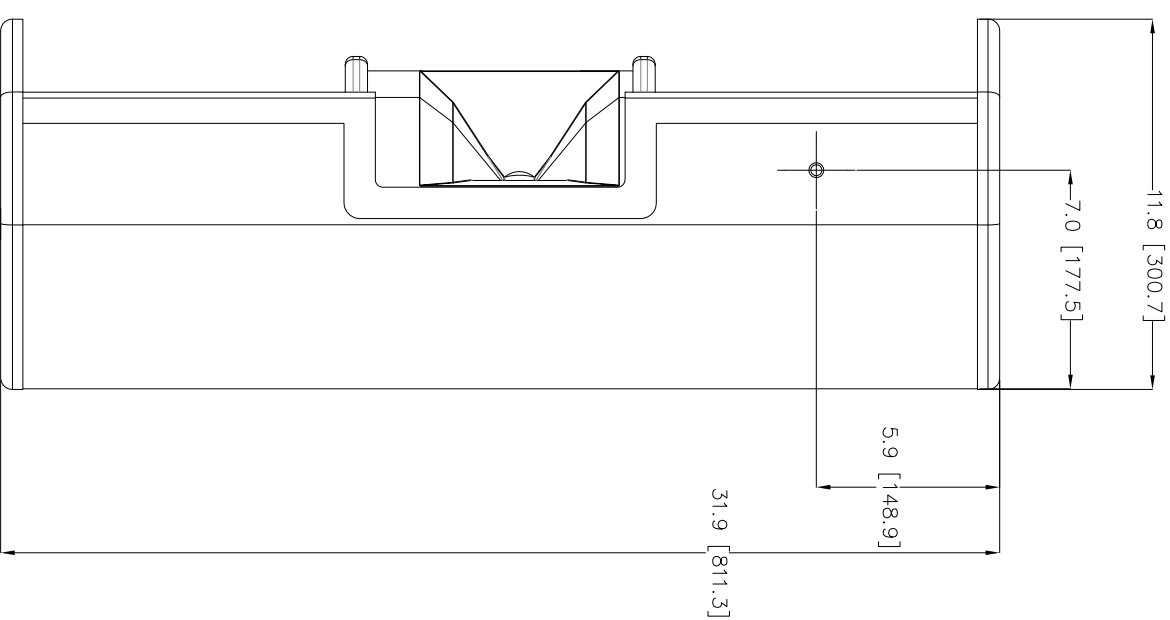
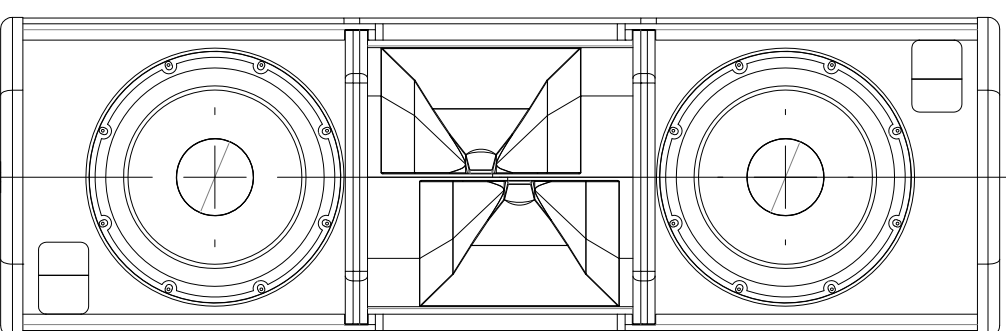
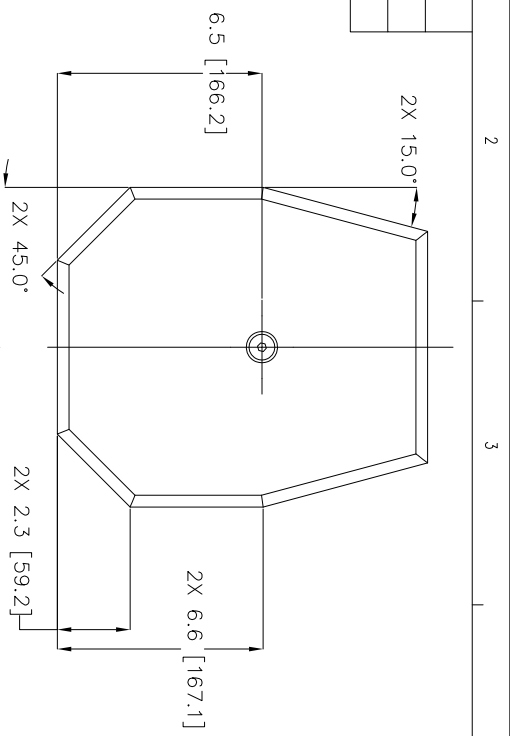


PROPRIETARY AND CONFIDENTIAL PROPERTY OF HARMAN. DO NOT DISCLOSE,
REPRODUCE, OR PUBLISH WITHOUT WRITTEN HARMAN APPROVAL.

PART NUMBER	DESCRIPTION
CMT128	CUST.DWG.CMT128

REVISION HISTORY			ZONE	DATE	BY	APPR
CN#	REV.	PREVIOUS P/N	DESCRIPTION			
07708	A		RELEASE TO MARKETING			



A

B

C

D

E

F

0

1

2

3

4

5

6

7

8

9

0

1

2

3

4

5

6

7

8

9

3. FINISH: BLACK DURAFLEX
 2. ALL DIMENSIONS ARE UNFINISHED ENCLOSURE.
 1. MATERIAL: 18mm THICK BIRCH PLYWOOD.
- UNLESS OTHERWISE SPECIFIED



DIMENSIONS SHOWN ARE FOR REFERENCE AND INSPECTION ONLY. REFER TO 3D MODEL PROVIDED WITH THIS DRAWING FOR OVERALL DEFINITION OF PART GEOMETRY.

RESTRICTION OF HAZARDOUS SUBSTANCES
ALL MATERIALS USED IN THIS PART MUST BE ROHS COMPLIANT
SUPPLIER SHALL PROVIDE A CERTIFICATE OF ROHS COMPLIANCE WITH THE FIRST ARTICLE

ALL DIMENSIONS UNLESS OTHERWISE SPECIFIED

All Dimensions:
0.00 ±.005
0.00 ±.010
0.00 ±.015
0.00 ±.020
0.00 ±.025
0.00 ±.030
0.00 ±.035
0.00 ±.040
0.00 ±.045
0.00 ±.050
0.00 ±.055
0.00 ±.060
0.00 ±.065
0.00 ±.070
0.00 ±.075
0.00 ±.080
0.00 ±.085
0.00 ±.090
0.00 ±.095
0.00 ±.100

ROHS
RESTRICTION OF HAZARDOUS SUBSTANCES
ALL MATERIALS USED IN THIS PART MUST BE ROHS COMPLIANT
SUPPLIER SHALL PROVIDE A CERTIFICATE OF ROHS COMPLIANCE WITH THE FIRST ARTICLE

HARMAN

8500 Balboa Blvd
Northridge, CA 91329
USA

CUST. DWG. CMT128

DESIGNED BY: D. RODGERS
ENGINEER: SCOTT OPE

DATE: 11/21/2012
DATE: 7/27/2012

SCALE: 1:4
DO NOT SCALE DRAWING

REV: A
SHEET: 1 of 1