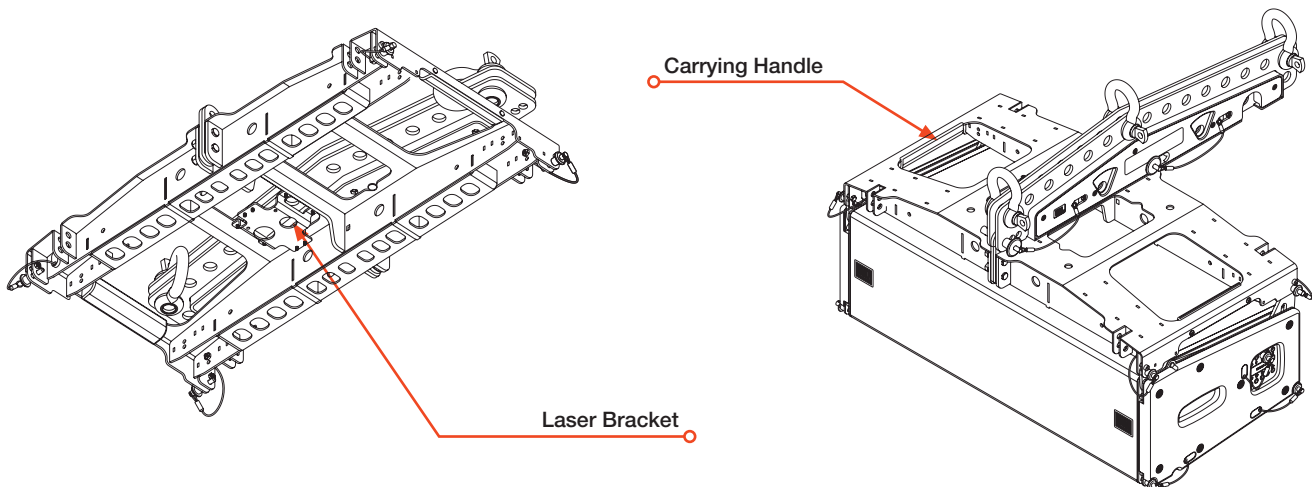


## HIGHLIGHTS

- Support for up to 24 x VTX A8 enclosures
- Compatible with VTX A8 and VTX B18
- Several pick-point options
- 0.5° pick-point resolution
- Built-in storage position for extension bar
- Includes 1 x VTX A8 AF EB extension bar
- Support for 3rd-party laser inclinometers
- Compatible shackle size: 5/8"

## DESCRIPTION

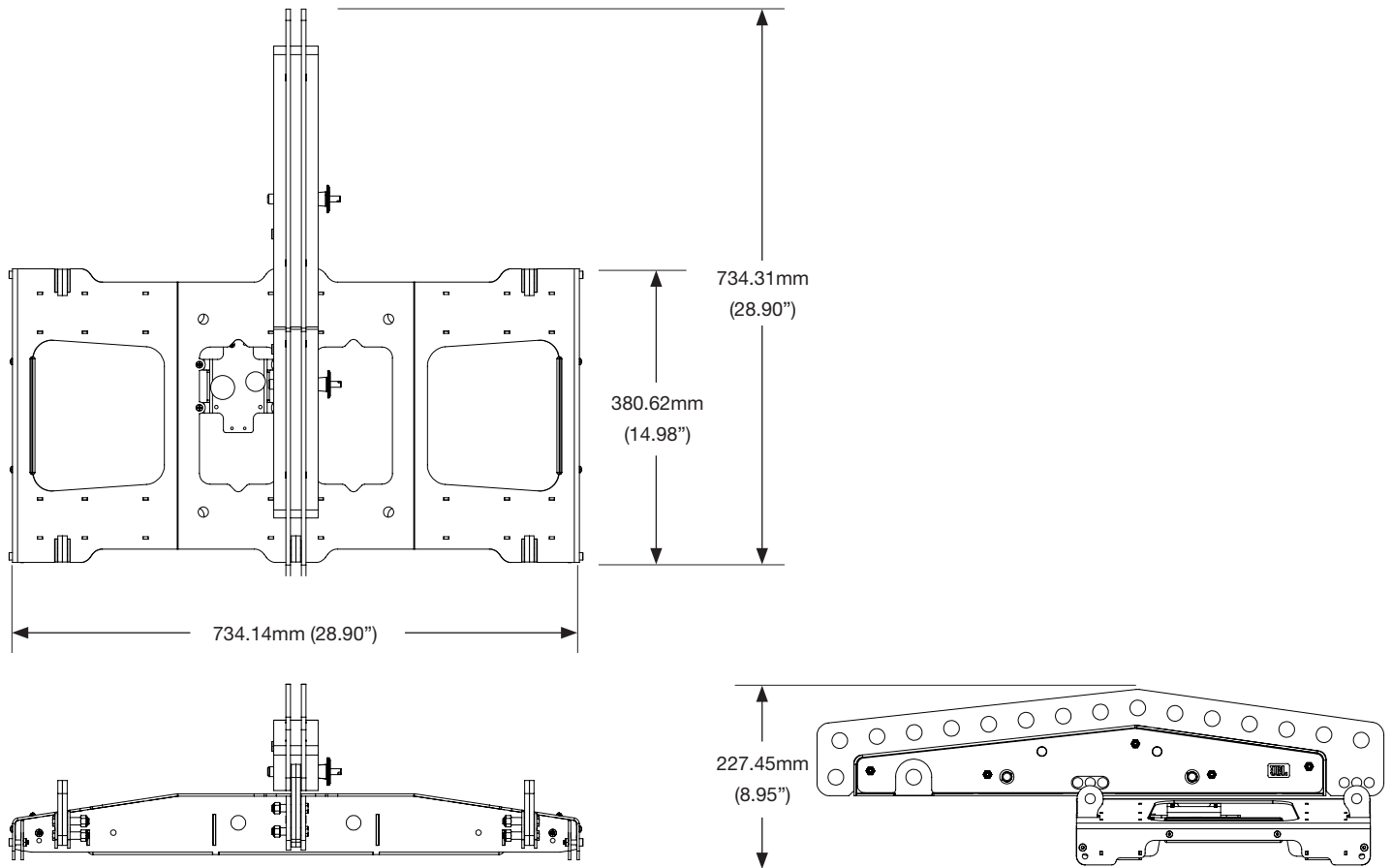
The VTX A8 AF is a lightweight array frame used for suspending VTX A8 and VTX B18 enclosures. The array frame was designed to allow for single-point, two-point front-to-back or side-by-side suspension methods (note that side-by-side mounting requires an additional VTX A8 AF EB extension bar). The extension bar is compatible with 5/8" shackles (included) and can be stored above the main frame during storage and transportation. The extension bar can extend to the front or rear of the frame to accommodate both up-tilt and down-tilt aiming options. Three connection points are available for attaching the extension bar to the main frame, allowing for precise control of shackle positioning for single-point applications. Support for 3rd-party inclinometers is available using the included laser attachment bracket. One VTX A8 AF EB extension bar is included and additional extension bars can be purchased to facilitate side-by-side suspension. Configurations and load conditions for using the VTX A8 AF can be obtained using JBL's LAC-III software application. For more information about the array frame and use cases, refer to the VTX A8 Rigging Manual.



## INCLUDED

- 1 x VTX A8 AF
- 1 x Laser Bracket
- 1 x Extension Bar
- 3 x 5/8" Shackles

## DIMENSIONS



## TECHNICAL SPECIFICATIONS

**Construction:** High-grade steel with anti-corrosion coating

**Finish:** Black powder Coat

**Compatible Shackle Size:** 5/8"

**Supported Lasers:** JBL VTX LZ, TEQ-SAS, Recline

**Mechanical Limits<sup>1</sup>**

**Maximum:** 24 x VTX A8 | 13 x VTX B18

**Safe Limit:** 22 x VTX A8 | 10 x VTX B18

**Dimensions (H x W x D)<sup>2</sup>:** 227.45 mm x 734.14 mm x 734.31 mm  
(8.95 in x 28.90 in x 28.90 in)

**Net Weight<sup>3</sup>:** 20.20 kg (44.50 lbs)

**Footnotes:**

1: For arrays larger than the safe limit always use the JBL Line Array Calculator to determine mechanical safety

2: Refer to the 2D and 3D Customer Drawings for more detailed dimensions

3: Weight includes AF and EB. Shackles and other rigging parts not included

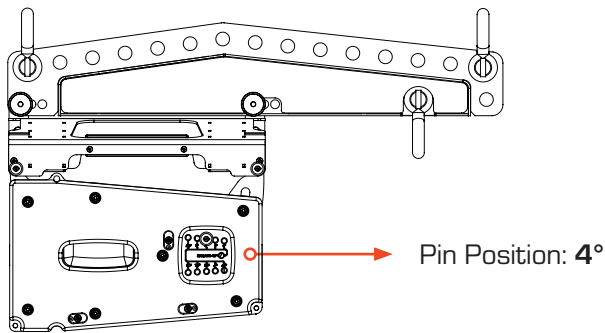
JBL continually engages in research related to product improvement. Some materials, production methods and design refinements are introduced into existing products without notice as a routine expression of that philosophy. For this reason, any current JBL product may differ in some respect from its published description, but will always equal or exceed the original design specifications unless otherwise stated.

## EXTENSION BAR ATTACHMENT OPTIONS

The VTX A8 cabinet connected to the VTX A8 AF array frame should always be set to the 4° pin position in both the Normal and Reverse configurations. The 4° pin position should also be used when VTX A8 cabinets are placed under VTX B18 subwoofers. This ensures that the top VTX A8 cabinet is always in parallel with the array frame and any angles measured at the array frame are true for the topmost A8 cabinet.

### NORMAL:

Extension bar extends to the rear of the array.



### REVERSE:

Extension bar extends to the front of the array for additional up-tilt range.

