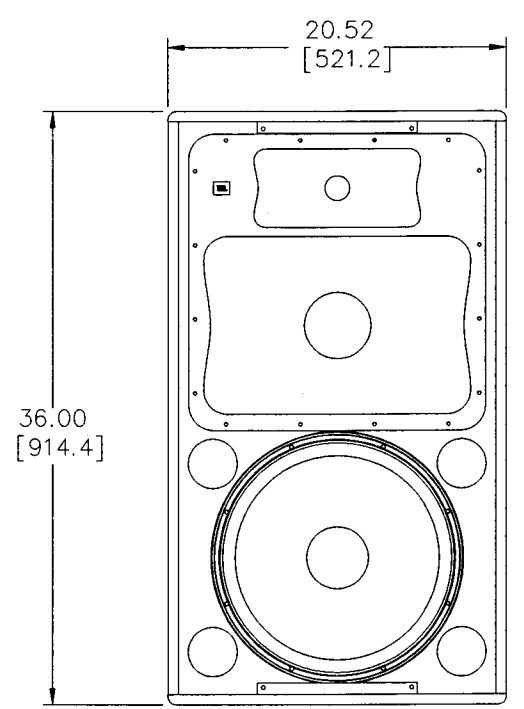
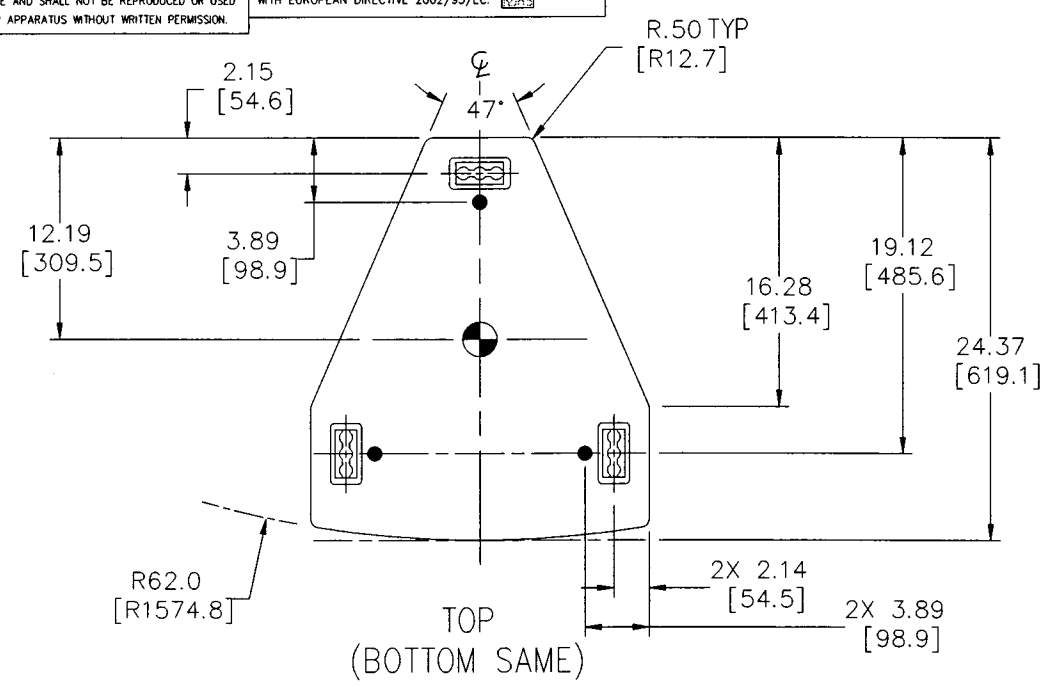


THESE DRAWINGS AND SPECIFICATIONS ARE THE PROPERTY OF JBL INCORPORATED. THEY ARE ISSUED IN STRICT CONFIDENCE AND SHALL NOT BE REPRODUCED OR USED AS THE BASIS FOR MANUFACTURE OR APPARATUS WITHOUT WRITTEN PERMISSION.

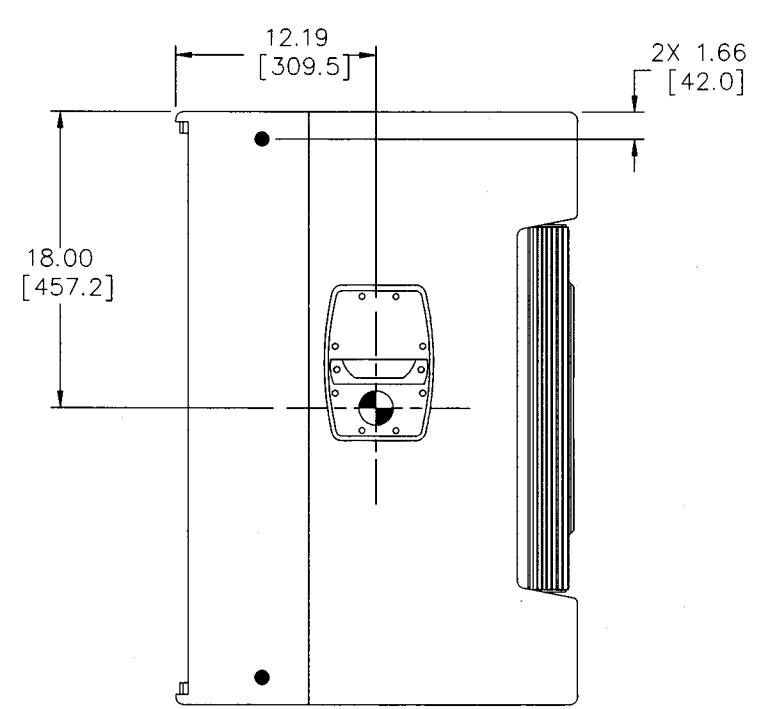
ALL MATERIAL SPECIFIED ON THIS DRAWING SHALL COMPLY WITH EUROPEAN DIRECTIVE 2002/95/EC.

REVISIONS						
CHG	LTR	DESCRIPTION	DRFT	D.C.	DATE	APP
31291	A	RELEASE TO MARKETING	TH	7.2		Bul

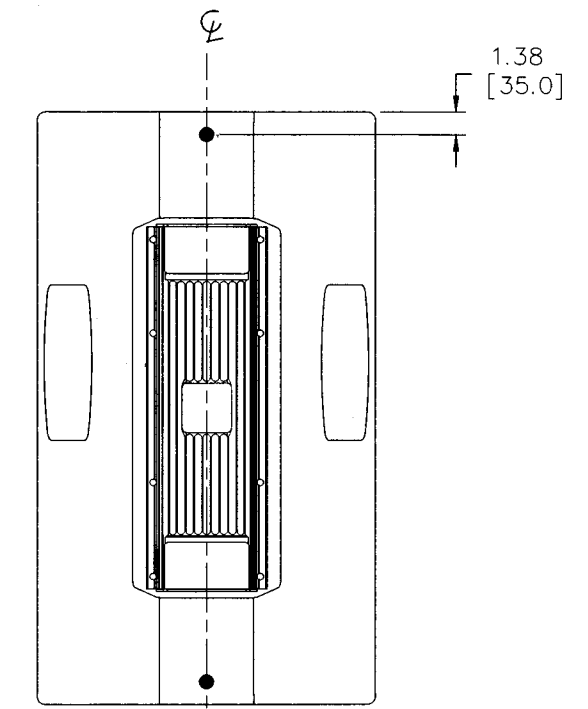
1/10/06



FRONT



SIDES



REAR

- COMPONENTS: LF - 1X 2265G; MF - 1X 2169H; HF - 1X 2452H-SL
- INPUT CONNECTORS: XLR WITH LOOP THROUGH.
- GRILL: 14 GA. PERFORATED CRS, POWDERCOATED BLACK, BLACK FOAM BACKING.
- MATERIALS: 16MM (5/8") FINNISH BIRCH PLYWOOD.
- FINISH: BLACK DURAFLEX
- SUSPENSION POINTS: "•" 18 TOTAL; 6 EA TOP AND BOTTOM, 2 EA SIDE, 2 REAR; (12 EA -M10 THREAD PATTERN, 6 EA - 3-POS FLY TRACK)
- WEIGHT: 44.0 kg (97 LBS)
- CENTER OF GRAVITY (CG) ●

NOTES: (UNLESS OTHERWISE SPECIFIED)

TOLERANCES
(UNLESS OTHERWISE SPECIFIED)
X.XX ± .063 INCH
X.X ± .125 INCH
ANGULAR TOLERANCE OF 0°±30'
FRACTIONAL DIMENSIONS ± 1/32
• DIMENSIONS ARE INCHES
• ALL DIMENSIONS ARE FINISHED DIMENSIONS
• DO NOT SCALE DRAWING

JBL JBL PROFESSIONAL
A Harman International Company
Northridge, California 91329 U.S.A.

TITLE
CUSTOMER DRAWING: VP7315

SIZE A	DRAWING NO. 362335	REV A
SCALE NTS	SHEET 1 OF 1	