

Super tweeter for outstanding detail and clarity in high-frequencies without harshness. The ST350 may be used individually in lower power systems or arrayed for increased coverage and SPL in higher power systems.

The bullet-shape horn design offers a longer throw 50° x 50° dispersion.

The plastic injected housing is stable and durable.

The phenolic annular diaphragm is long-lasting, cost-effective and more natural-sounding than metallic diaphragms.

The use of high-temperature materials and adhesives improves power handling and produces exceptionally high acoustic output.

A precisely engineered diaphragm structure and alignment mechanism for easy, reliable, cost effective repair in case of diaphragm failure.



ST350 BLACK



ST350 SILVER



ST350 ONIX

SPECIFICATIONS

Nominal impedance	8	Ω
Minimum impedance @ 6,700 Hz	6.5	Ω
Power handling		
Musical Program (w/ xover 5,000 Hz 12 dB/oct) ¹	150	W
Musical Program (w/ xover 8,000 Hz 12 dB/oct) ¹	200	W
Sensitivity (2.83V@1m) averaged from 3 to 10 kHz	111	dB SPL
Frequency response @ -10 dB	2,500 to 20,000	Hz
Sound dispersion (H x V)	50 x 50	degrees
Diaphragm material		Phenolic
Voice coil diameter	42 (1.6)	mm (in)
Re	6.2	Ω
Flux density	1.70	T

¹ Power handling specifications refer to normal speech and/or music program material, reproduced by an amplifier producing no more than 5% distortion. Power is calculated as true RMS voltage squared divided by the nominal impedance of the loudspeaker. This voltage is measured at the input of the recommended passive crossover when placed between the power amplifier and loudspeaker.
Musical Program= 2 x W RMS

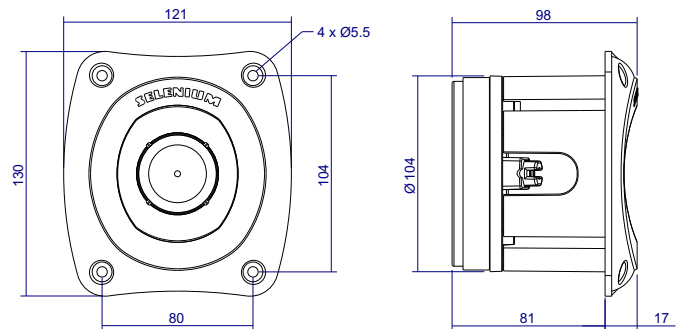
WARNING: Must be connected with an appropriate crossover.

ADDITIONAL INFORMATION

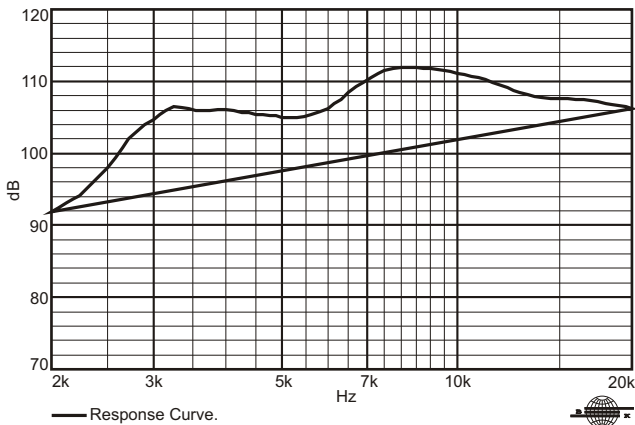
Magnet material	Barium ferrite
Magnet weight	470 (16.5) g (oz)
Magnet diameter x depth	102 x 14 (4.02 x 0.55) mm (in)
Magnetic assembly weight	1,210 (2.66) g (lb)
Housing material	ABS X17 plastic
Housing finish	Black/Silver/Onix
Voice coil material	CCAW
Voice coil former material	Polyimide (Kapton®)
Voice coil winding length	2.2 (7.2) m (ft)
Voice coil winding depth	2.0 (0.08) mm (in)
Wire temperature coefficient of resistance (α25)	0.00356 1/°C
Volume displaced by tweeter	0.7 (0.025) l (ft³)
Net weight	1,420 (3.13) g (lb)
Gross weight	1,520 (3.35) g (lb)
Carton dimensions (W x D x H)	10.5 x 13.2 x 12.2 (4.1 x 5.2 x 4.8) cm (in)

MOUNTING INFORMATION

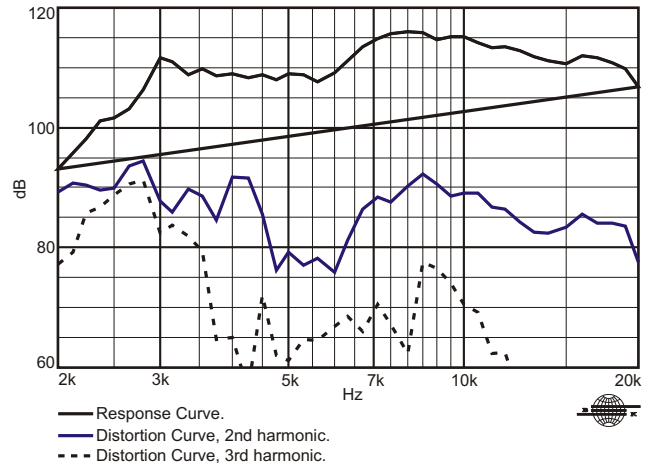
Number of bolt-holes	4
Bolt-hole dimensions	4.4 x 5.5 (0.17 x 0.21) mm (in)
Distance between bolt-holes (H x V)	80 x 104 (3.15 x 4.09) mm (in)
Baffle cutout diameter (front mount)	106 (4.17) mm (in)
Connectors	Push terminals
Polarity	Positive voltage applied to the positive terminal (red) gives diaphragm motion toward the horn throat



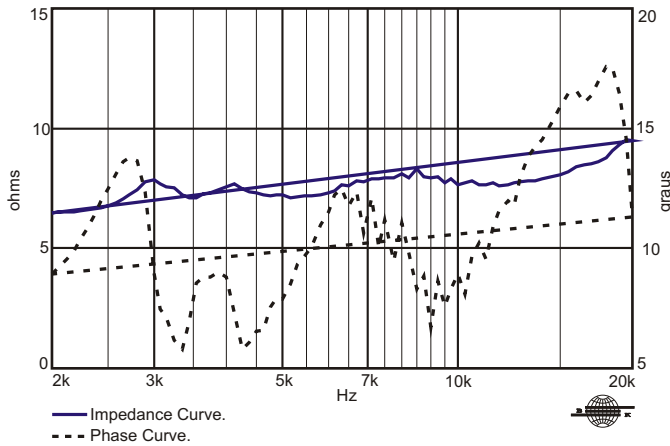
RESPONSE CURVE MEASURED IN ANECHOIC CHAMBER, 1 W / 1 m



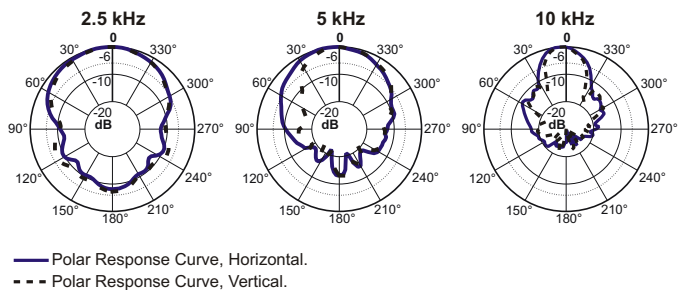
HARMONIC DISTORTION CURVES, 2.5 W / 1 m.



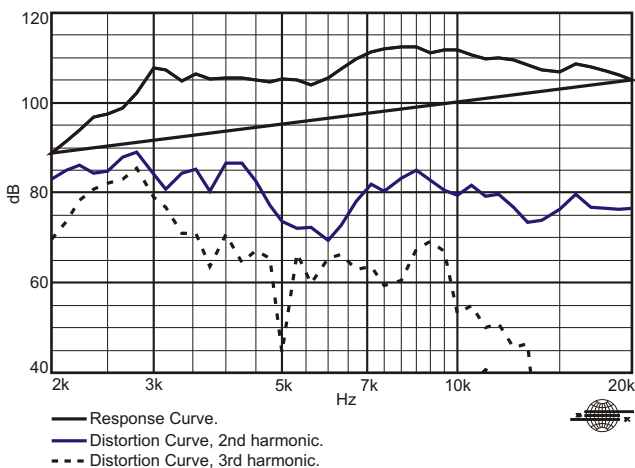
IMPEDANCE AND PHASE CURVES MEASURED IN FREE-AIR.



POLAR RESPONSE CURVES



HARMONIC DISTORTION CURVES, 1 W / 1 m.



HOW TO CHOOSE THE RIGHT AMPLIFIER

The power amplifier must be able to supply twice the RMS driver power. This 3 dB headroom is necessary to handle the peaks that are common to musical programs. When the amplifier clips those peaks, high distortion arises and this may damage the transducer due to excessive heat. The use of compressors is a good practice to reduce music dynamics to safe levels.

FINDING VOICE COIL TEMPERATURE

It is very important to avoid maximum voice coil temperature. Since moving coil resistance (R_E) varies with temperature according to a well known law, we can calculate the temperature inside the voice coil by measuring the voice coil DC resistance:

$$T_B = T_A + \left(\frac{R_B}{R_A} - 1 \right) \left(T_A - 25 + \frac{1}{\alpha_{25}} \right)$$

T_A , T_B = voice coil temperatures in °C.

R_A , R_B = voice coil resistances at temperatures T_A and T_B , respectively.

α_{25} = voice coil wire temperature coefficient at 25 °C.

Kapton®: Du Pont trademark.

Specifications subject to change without prior notice.

Cod.:NA Rev.: 00 - 11 /05

ELETRÔNICA SELENIUM S.A.
BR 386 Km 435 - Nova Santa Rita/RS - Brasil -
CEP 92480-000
Tel.: 51. 3479 4000 Fax: 51. 3479 1150
www.selenium.com.br
Atendimento Técnico: 0800 514161

SELENIUM USA / SELENIUM EUROPE
www.seleniumloudspeakers.com
Toll Free: 1800 5620510