

Professional Series

Features:

- ▶ JBL 18 inch, 2268FF dual voice coil, neodymium magnet Differential Drive® woofer for high-power and light weight
- ▶ Class-D, Crown® digital amplifier
- ▶ Dual-Bridge Technology™
- ▶ DSP, input section with selectable crossover, dynamic limiting, component optimization, selectable polarity reverse
- ▶ Professional XLR line and ¼" balanced inputs
- ▶ Stereo input and Loop-Thru capability
- ▶ Illuminated logo for clear Power-On status
- ▶ Top panel pole mount socket for sub/satellite configuration
- ▶ DuraFlex™ coated plywood construction
- ▶ Wrap around heavy duty steel grille provides protection without obstructing performance.

Application:

The PRX718S is a powered, direct radiating subwoofer system comparable in performance to the VRX918SP. With a pole receptacle (that accepts a SS3-BK) on the top panel and integrated stereo pass-thru, with selectable HP filter, this is the most powerful complement to the PRX full-range systems. Configured with a PRX512M or PRX515; the result is a transportable, high performance sub-satellite system. The addition of a polarity reverse option further enables system optimization.

The PRX718S is a high performance self-powered subwoofer system. The PRX718S is comprised of a powerful 2268FF neodymium magnet, Differential Drive woofer driven by a Crown International Class-D digital power amplifier. Dual-Bridge Technology™ directly links discrete amplifier channel outputs to each voice coil in the Differential Drive woofer. Electrical power transfer to the transducer is optimized for more power performance. A proprietary DSP chip is at the core of a fully featured input section, providing user selectable cross-over functionality, polarity optimization, protection, dynamic limiting and discrete component optimization.

The enclosure is constructed of quality plywood and coated in JBL's rugged DuraFlex™ finish. An integrated pole mount on the top enables an easy sub/satellite configuration. The CNC-machined steel grille wraps around the sides of the enclosure so there are no protruding lips on the front of the box to create acoustical interference. The grille is also lined with an acoustically transparent foam to provide additional driver protection.

The amplifier input panel offers stereo inputs with XLR or ¼ inch jack compatibility. A user selectable crossover ensures a smooth transition to full-range system connected to the stereo outputs. Signal present and limiter lights indicate the system status and assist in setting the optimum level, via the level control knob.

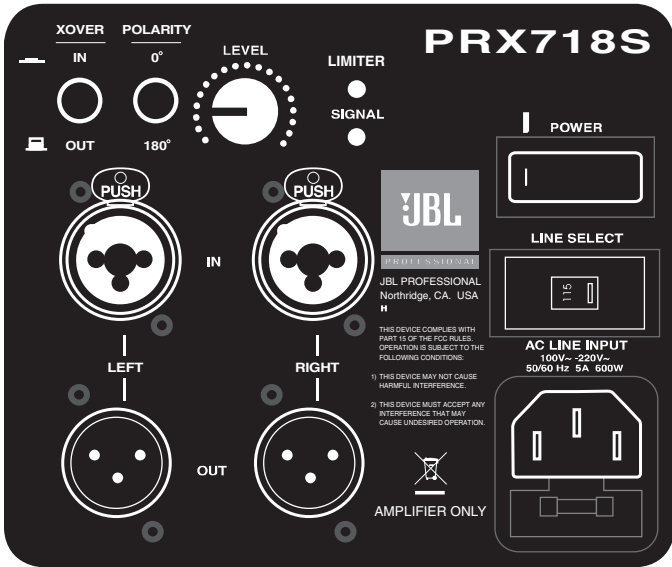


Preliminary Specifications:

System Type:	Self powered 18", two-way, bass-reflex
Frequency Range (-10 dB):	33 Hz – 160 Hz
Frequency Response (±3 dB):	37 Hz – 130 Hz
Crossover Modes:	DSP controlled 24 dB/Oct. filter slope
Crossover Frequency:	120 Hz
System Power Rating:	700 W continuous, 1400 W peak
LF Power amp:	Dual-Bridge Technology™, Class-D, 700 Watts (continuous at driver impedance)
Distortion:	Less than 0.1% at rated power
Maximum SPL:	133 dB peak
Signal indicators:	Limiter: Red LED indicates limiter in operation Signal: Green LED indicates signal presents
Input sensitivity range:	+4 dBu to +22 dBu
Input impedance:	34 K Ohms (balanced), 18 K Ohms (unbalanced)
Polarity:	0° or 180° phase shift
LF Driver:	1 x JBL 2268FF 460 mm (18 in) woofer
Enclosure:	Rectangular, 18 mm, plywood
Suspension / Mounting:	36 mm pole socket on top
Transport:	2 x rugged handles with backing cup
Finish:	Anthracite DuraFlex™ finish
Grille:	Powder coated, Anthracite black, 18 gauge perforated steel with acoustically transparent black foam backing.
Input Connectors:	Balanced XLR / ¼ inch combo jack with XLR loop through. (stereo)
Dimensions (H x W x D):	668 mm x 536 mm x 713 mm (26.3 in x 21.1 in x 28 in)
Net Weight:	34.5 kg (76 lb)

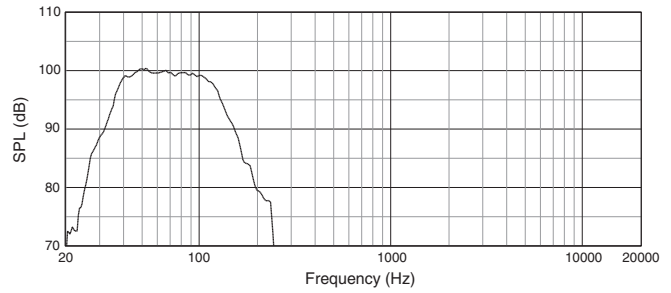
JBL continually engages in research related to product improvement. Some materials, production methods and design refinements are introduced into existing products without notice as a routine expression of that philosophy. For this reason, any current JBL product may differ in some respect from its published description, but will always equal or exceed the original design specifications unless otherwise stated.

▶ PRX718S 18" Self-Powered Subwoofer System

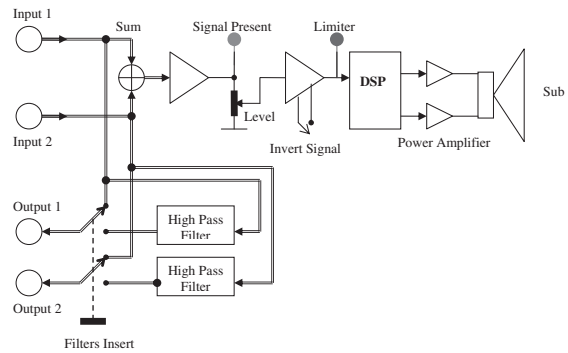


PRX718S Input Panel

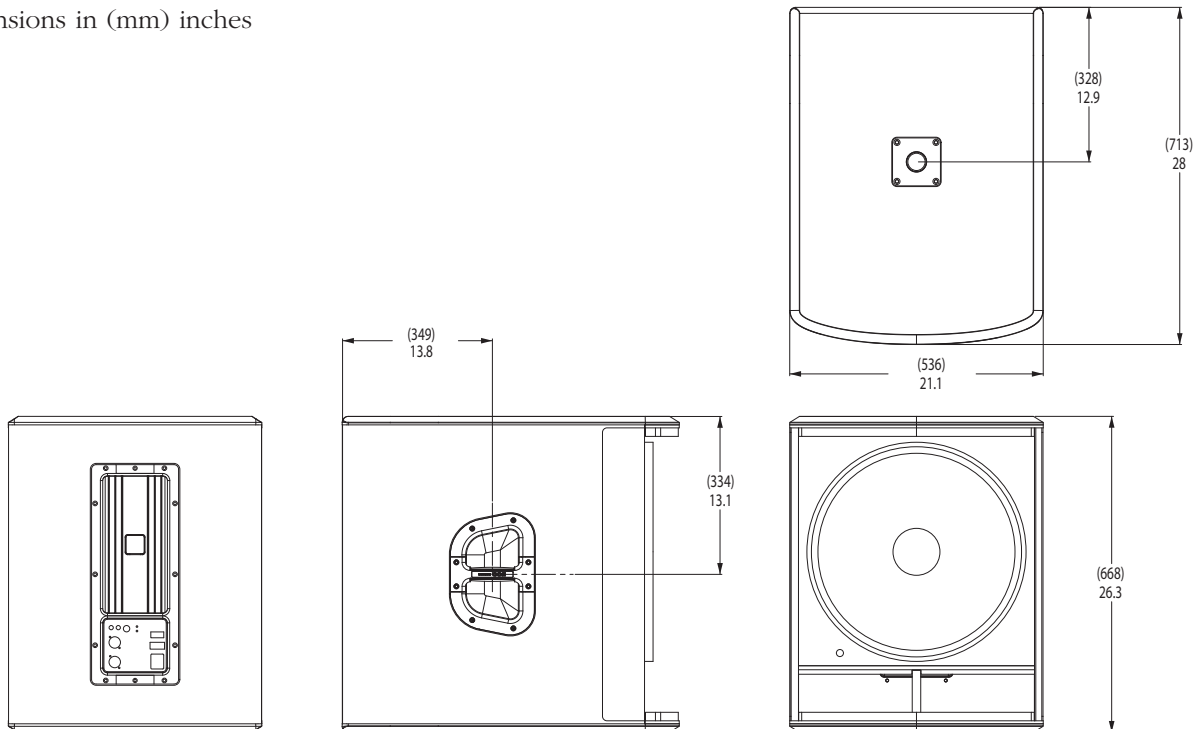
Frequency Response



Block Diagram



Dimensions in (mm) inches



JBL Professional
8500 Balboa Boulevard, P.O. Box 2200
Northridge, California 91329 U.S.A.

■ A Harman International Company
© Copyright 2009 JBL Professional
www.jblpro.com

SS PRX718S
CRP
07/09