

PRX425

Dual 15" High-Power,
Two-Way Speaker

Key Features:

- ▶ Dual 15" woofers for high-power capacity and extended LF performance
- ▶ 1" polymer diaphragm compression driver
- ▶ 90° x 50° coverage
- ▶ Heavy Duty 16-gauge protective screen-backed steel grille
- ▶ Tough DuraFlex™ enclosure finish

Applications:

- ▶ Live sound reinforcement for vocals and musical instruments
- ▶ High-level music playback

The PRX425 is an excellent choice when the application calls for high performance and simplicity. A pair of PRX425s and a single, high-power amplifier is a complete sound system capable of reinforcing bass and kick drum or playing high-level music in clubs and other venues.

The PRX425 is comprised of two 380 mm (15 in) woofers with combined power handling of 600 watts (continuous). For the high frequencies, 2414H-C 25 mm (1 in) polymer diaphragm, compression driver is mounted to a 90° x 50° horn. The 90° coverage angle of the PRX425 is wide enough to provide coverage of an audience when used one-per-side yet narrow enough to allow splaying of multiple enclosures without excessive coverage overlap.

The enclosure is constructed of birch/poplar multi-laminate hardwood and coated in JBL's rugged DuraFlex™ finish. The distinctive 16-gauge steel grille is CNC-machined for precision. The grilles are internally lined with an acoustically transparent screen to provide additional driver protection and give a very professional appearance.



Specifications:

Frequency Range (-10 dB) ¹ :	48 Hz - 19 kHz
Frequency Response (±3 dB) ¹ :	61 Hz - 16 kHz
Coverage Pattern:	90° x 50° nominal
Crossover Mode:	Passive
Crossover Frequency:	2.2 kHz
Power Rating ² :	600 W/ 1200 W/ 2400 W, 2 hrs (Continuous / Program / Peak)
Maximum SPL ³ :	128 dB SPL continuous (134 dB SPL peak)
System Sensitivity (1w @ 1m):	100 dB SPL
LF Driver:	2 x JBL M115-8A 380 mm (15 in) woofers
HF Driver:	1 x JBL 2414H-C 25 mm (1 in) polymer diaphragm, compression driver
Nominal Impedance:	4 ohms
Enclosure:	Trapezoidal, 18 mm, birch/poplar plywood
Suspension / Mounting:	Twelve M10 Suspension points
Transport:	Two glass-filled nylon handles with rubber grip
Finish:	Black DuraFlex™ finish
Grille:	Powder coated, black, 16-gauge perforated steel with acoustically transparent black screen backing.
Input Connectors:	Neutrik® Speakon® NL-2 ¼" combination (x2)
Dimensions (H x W x D):	1044 mm x 429 mm x 521 mm (41.1 in x 16.9 in x 20.5 in)
Net Weight:	33.5 kg (74 lb)

¹ Based on 2π acoustical loading.

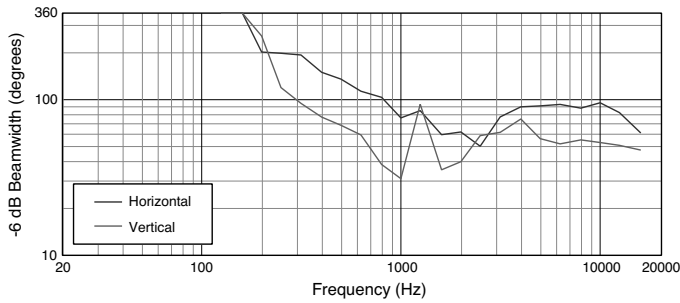
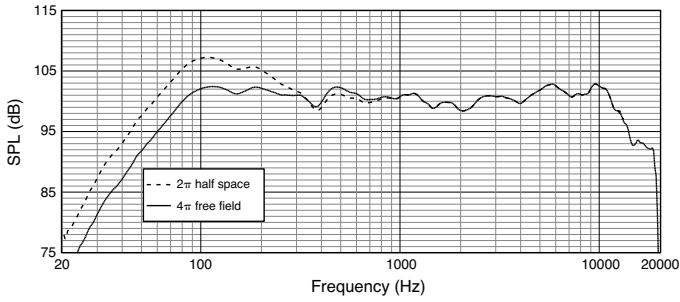
² IEC standard, full bandwidth pink noise with 6 dB crest factor for specified period

³ Calculated based on power rating and sensitivity

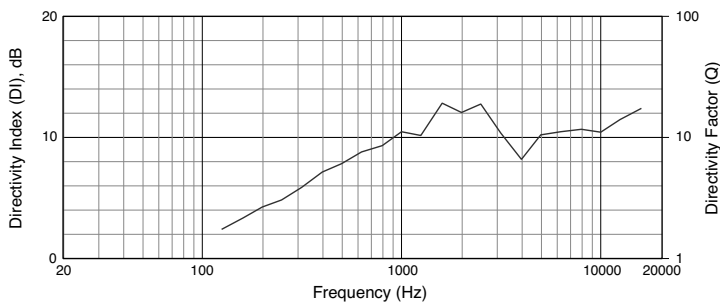
JBL continually engages in research related to product improvement. Some materials, production methods and design refinements are introduced into existing products without notice as a routine expression of that philosophy. For this reason, any current JBL product may differ in some respect from its published description, but will always equal or exceed the original design specifications unless otherwise stated.

► PRX425 Dual 15" High-Power, Two-Way Speaker

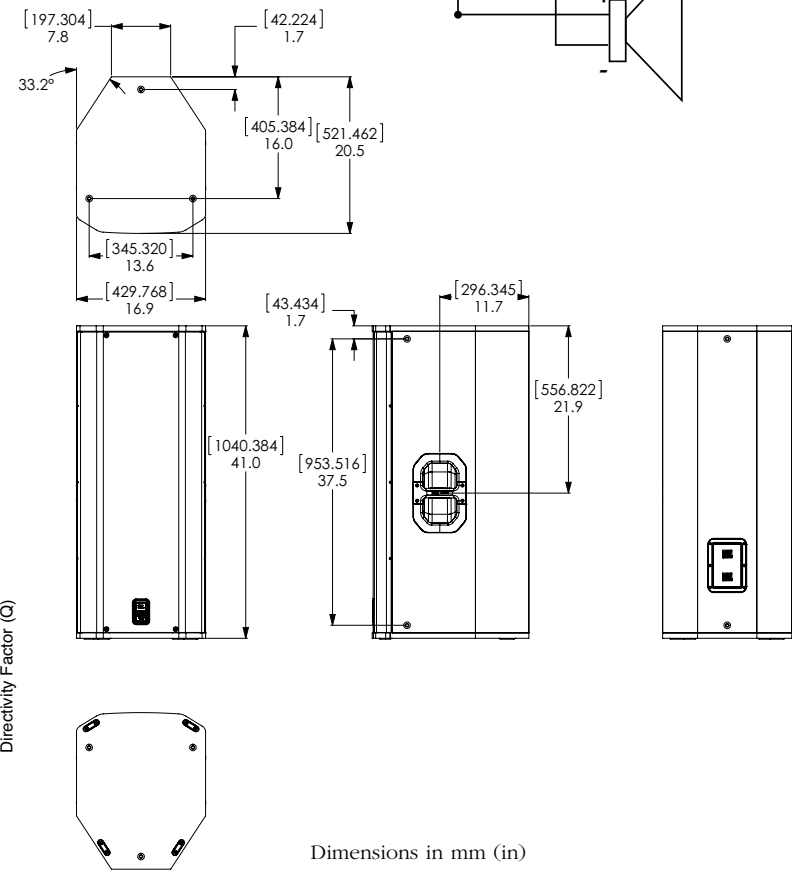
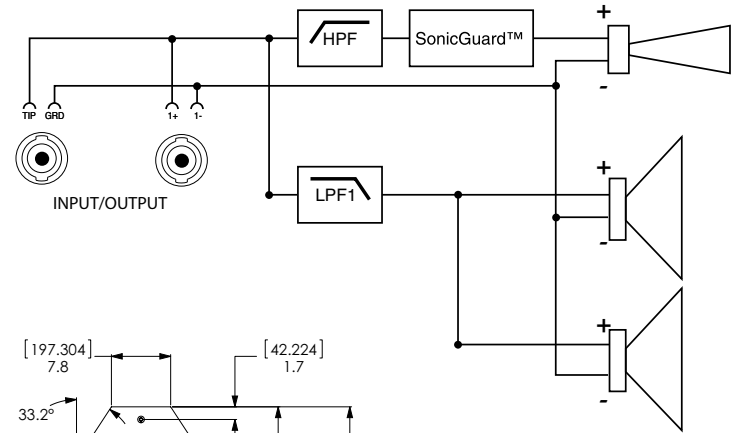
Frequency Response:



Directivity Index:



Block Diagram:



JBL Professional
8500 Balboa Boulevard, P.O. Box 2200
Northridge, California 91329 U.S.A.
© Copyright 2012 JBL Professional
www.jblpro.com

SS PRX425
CRP
10/12