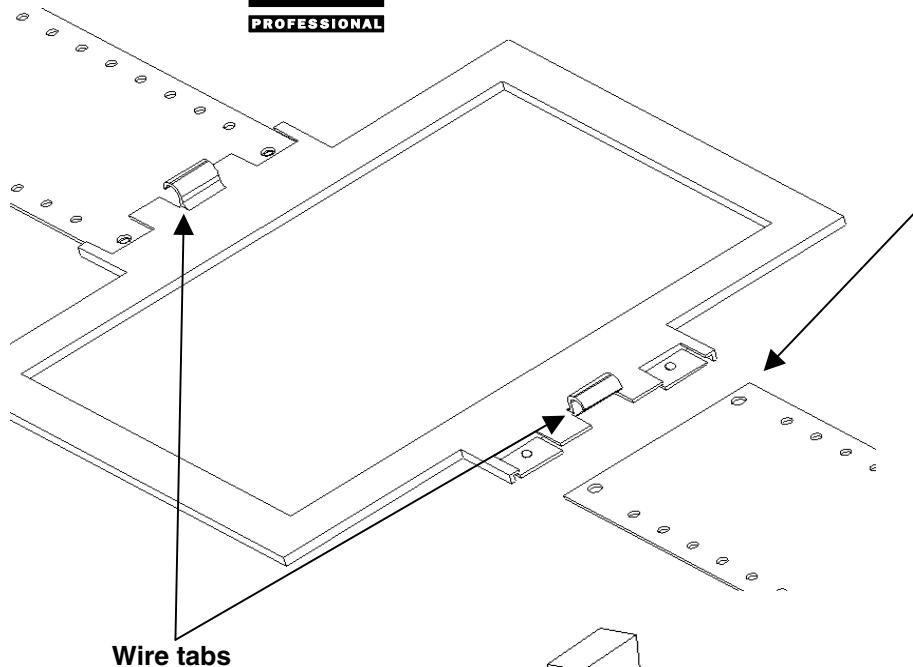




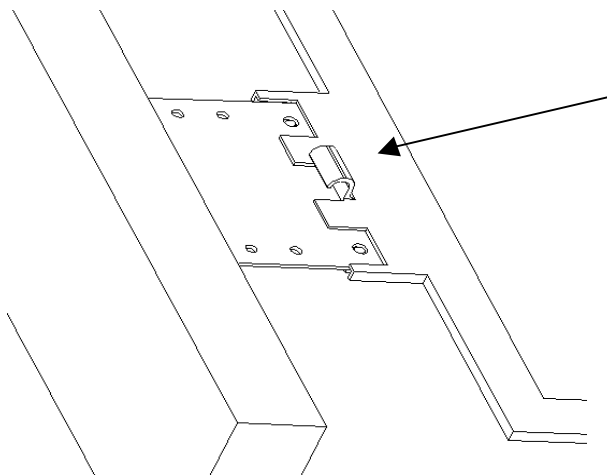
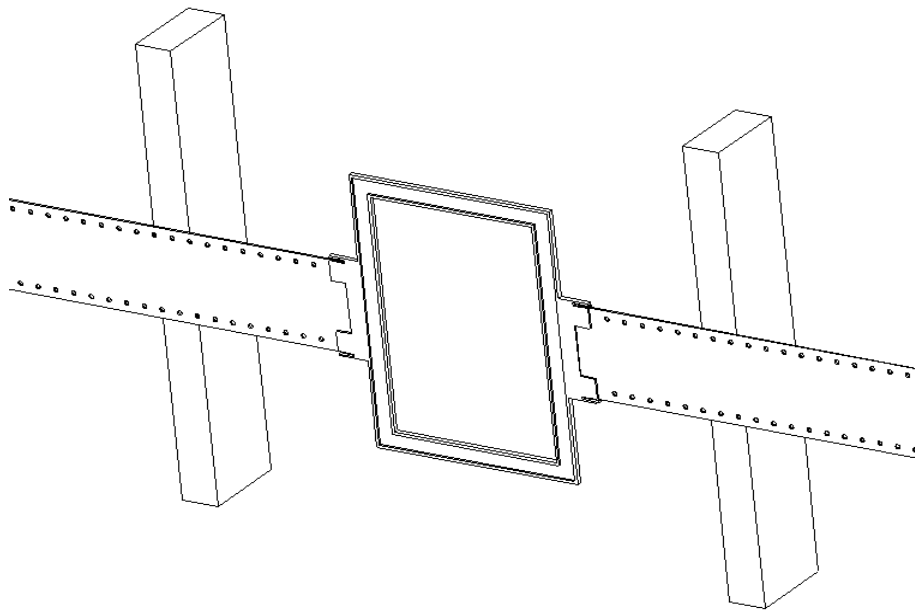
MTC-126RIF and MTC-128RIF Installation Instructions



Snap the two flat wing sections onto the frame as shown. Note: Use the edge of the wing with the set of two large holes.

Wire tabs

Position the RIF assembly as required between the wall studs and nail into place. Be sure that the nail heads are set as flush as possible against the wings. Note: Wire tabs go towards the back (inside of the wall).



Pre-routed speaker wire can be held in place using the molded wire tabs on the backside of the frame unit. Be sure that no wire remains exposed on the front (wall board) side of the assembly. Once the wall board is installed, cut out the required hole using the inside cutout of the frame as a guide. The speaker wire can then be run through the opening in the wallboard and attached to the speaker system as detailed in the owners manual.