

8

7

6

5

↓

4

3

2

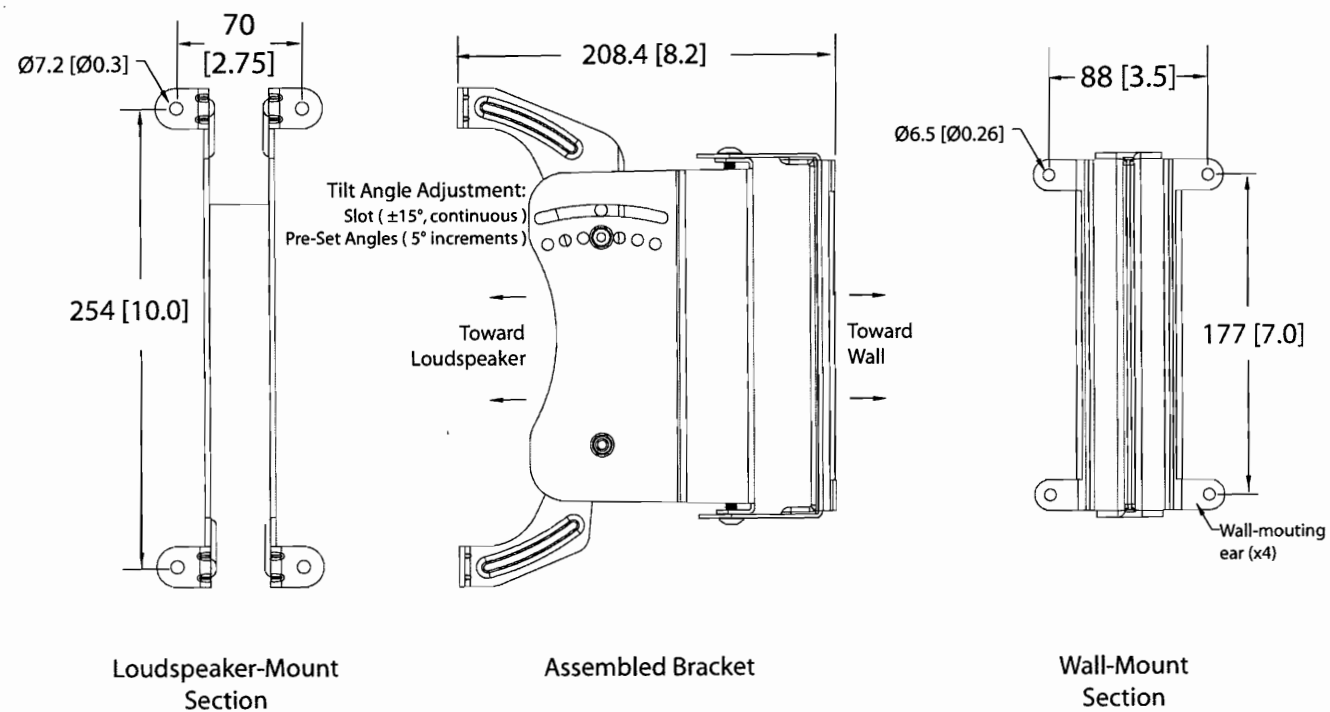
1

THESE DRAWINGS AND SPECIFICATIONS ARE THE PROPERTY OF JBL INCORPORATED THEY ARE ISSUED IN STRICT CONFIDENCE AND SHALL NOT BE REPRODUCED, COPIED, OR USED AS THE BASIS FOR MANUFACTURING OR SALE OF APPARATUS WITHOUT WRITTEN PERMISSION.

ALL MATERIAL SPECIFIED ON THIS DRAWING SHALL COMPLY WITH EUROPEAN DIRECTIVE 2002/95/EC. **RoHS**

CHG		LTR		REVISIONS	DRFT	CHK	DATE	APPR
				DESCRIPTION				
00408		A		RELEASE FOR PRODUCTION	FL		9-29-11	JZ

PART NO	DESCRIPTION
445289-001	SWIVEL(PAN)/TILT BRACKET, CBT 70J-1/CBT 70J-1/JE-1 ARRAY (BLACK)
445289-002	SWIVEL(PAN)/TILT BRACKET, CBT 70J-1/CBT 70J-1/JE-1 ARRAY (WHITE)



UNCONTROLLED COPY

1. INCLUDED WITH CBT 70J-1 AND FOR CBT 70J-1/70JE-1 ARRAY

NOTES: (UNLESS OTHERWISE SPECIFIED)

ITEM	PART NO.	DESCRIPTION	REMARKS/REF P/MS
TOLERANCES (UNLESS OTHERWISE SPECIFIED)		DRWN BY	DATE
JXX	$\pm .005$ INCH	FL	9/28/11
JXX	$\pm .010$ INCH	RENDER	DATE
JX	$\pm .020$ INCH	ENG	DATE
FRACTIONAL	$\pm 1/32$	TITLE	
ANGULAR	$\pm 30'$	BRACKET	
* DIMENSIONS ARE INCHES		THIRD ANGLE PROJECTION	
* BREAK EDGES TO .005 MIN		D	
* ALL DIMENSIONS ARE FINISHED DIMENSIONS		DRAWING NO. 445289	
* DO NOT SCALE DRAWING		REV A	
SCALE: NTS		SHEET 1 OF 1	

8

7

6

5

↑

4

3

2

1