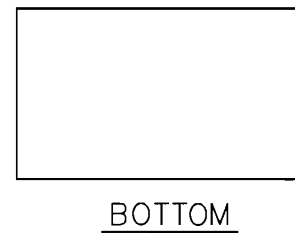
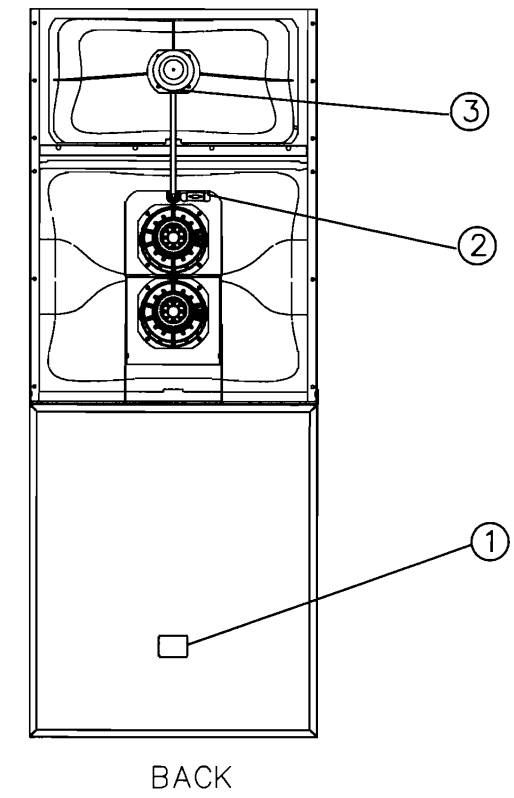
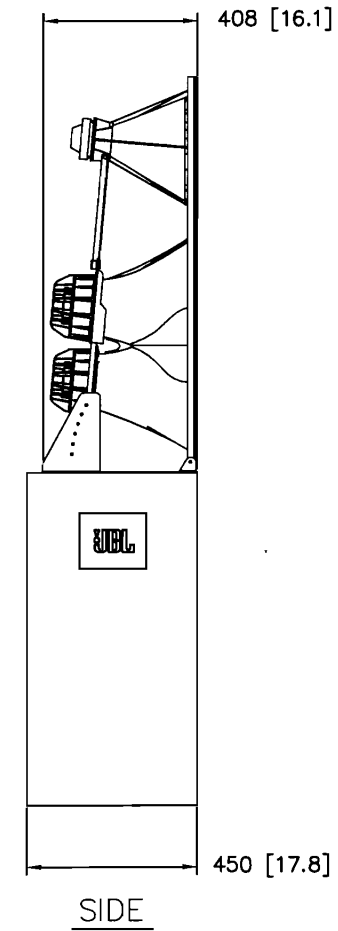
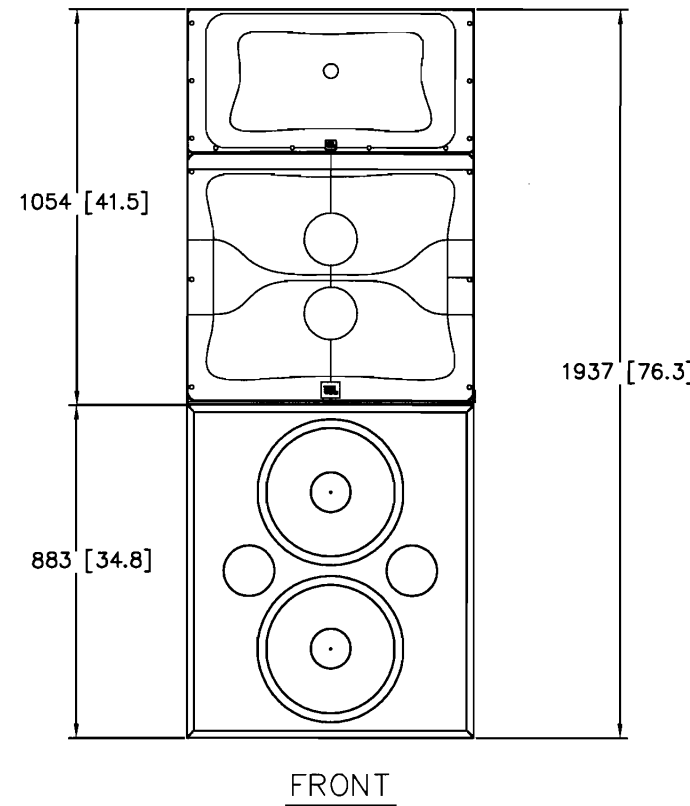
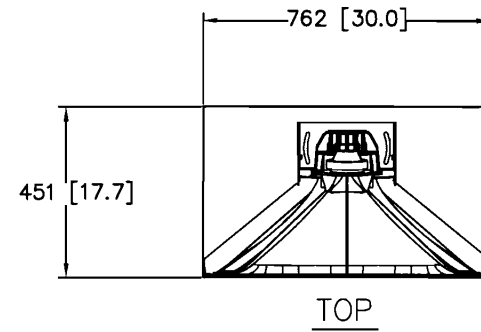


THESE DRAWINGS AND SPECIFICATIONS ARE THE PROPERTY OF JBL INCORPORATED THEY ARE ISSUED IN STRICT CONFIDENCE AND SHALL NOT BE REPRODUCED, COPIED, OR USED AS THE BASIS FOR MANUFACTURING OR SALE OF APPARATUS WITHOUT WRITTEN PERMISSION.

ALL MATERIAL SPECIFIED ON THIS DRAWING SHALL COMPLY WITH EUROPEAN DIRECTIVE 2002/95/EC [RoHS]

REVISIONS						
CHG	LTR	DESCRIPTION	DRFT	CHK	DATE	APPR
39170	A	RELEASE TO MARKETING	TH	--	12/11/09	BW
39475	B	REVISED DIMENSIONS	TH			<i>BW</i>

3/17/2012



- COMPONENTS: LF: 5739 2X 2226HPL (LF)
MF/HF: 5732-M/HF
2X 2169H (MF)
1X 2452H-SL (HF)
[3 CHANNEL DSP & AMPLIFICATION IS REQUIRED]
- INPUT CONNECTORS: LF- PUSH TERMINAL BINDING POSTS ①
MF- SCREW TERMINAL BARRIER STRIP ②
HF- PUSH TERMINALS ③

3. MATERIALS: LF - VINYL CLAD PARTICLE BOARD
BRACKETS - COLD ROLLED STEEL

4. WEIGHT: 86.0Kg (190 LBS)

NOTES: (UNLESS OTHERWISE SPECIFIED)

TOLERANCES
(UNLESS OTHERWISE SPECIFIED)
X.XXX ± 0.031 INCH
X.XX ± 0.063 INCH
X.X ± 0.125 INCH
ANGULAR ± 0.30°

• DIMENSIONS ARE INCHES
• ALL DIMENSIONS ARE FINISHED DIMENSIONS
• DO NOT SCALE DRAWING

JBL Professional
A Harman International Company
Northridge, California 91329, U.S.A.

TITLE CUSTOMER DWG, 5732		
SIZE D	DRAWING NO. 444622	REV B
SCALE: 1:1	SHEET 1 of 1	

UNCONTROLLED COPY