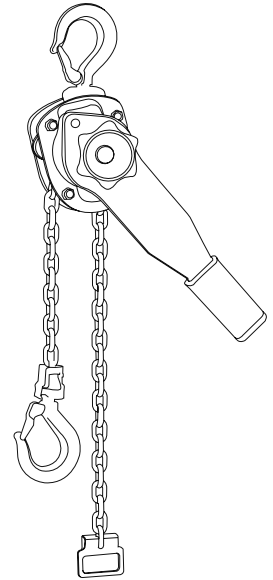


VTX-V25-LH | Lever Hoist

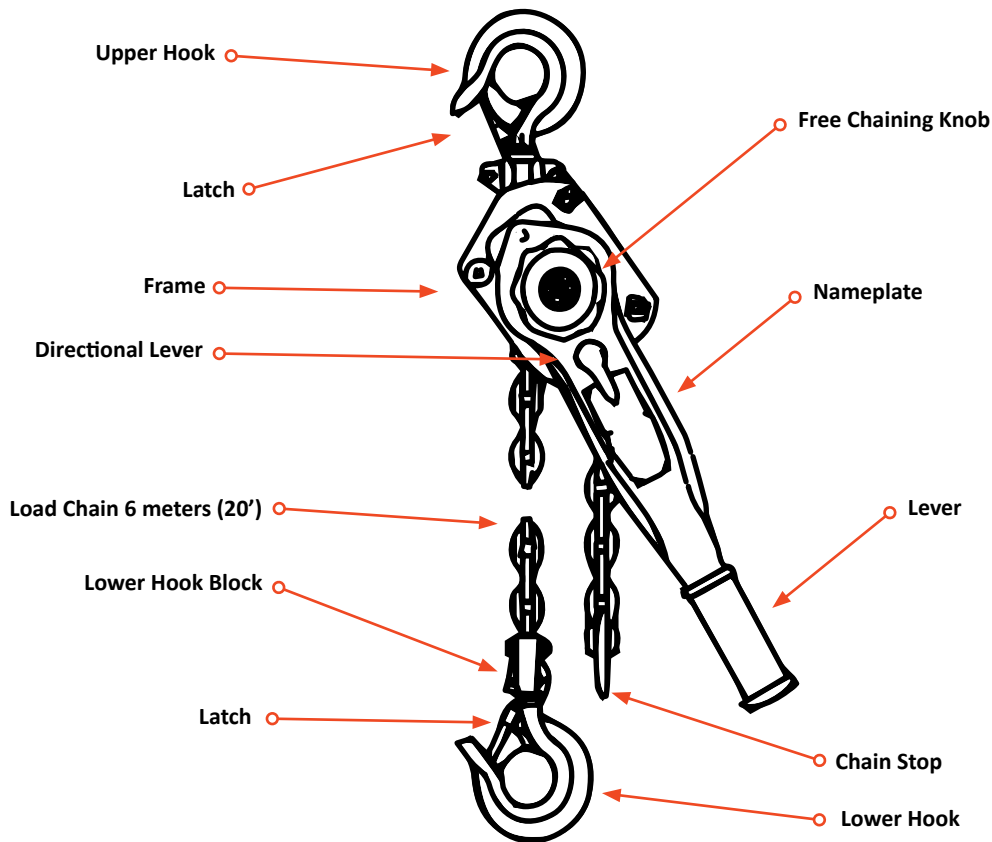
Features:

- CM Series 653
- 1.5 ton model
- 6 meters (20') of chain length
- Support for up to 24 x VTX-V25-II-CS Cabinets (array geometry dependent)



Description:

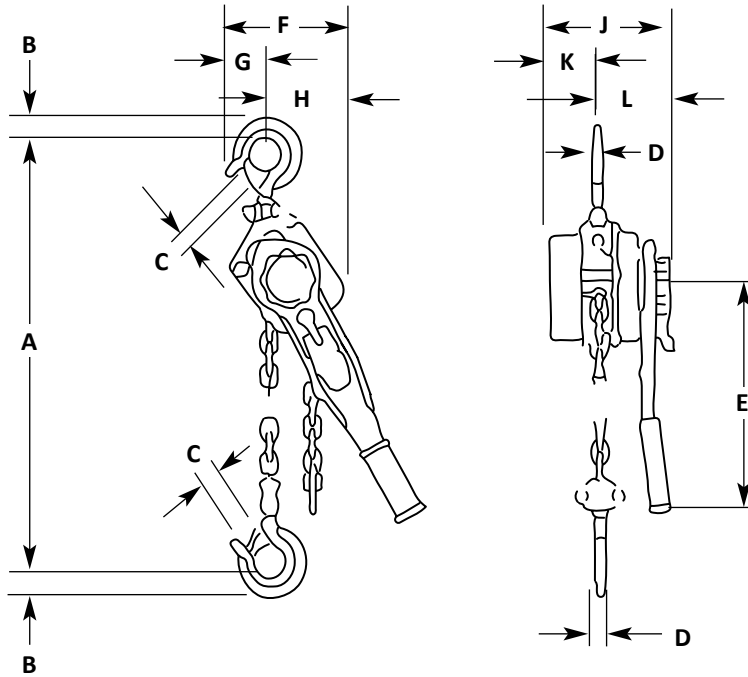
Factory-approved manual lever hoist for compression of VTX V25-II-CS systems. The CM Series 653 is a 1.5 ton model with 6 meters (20') of chain length for compressing arrays of up to 24x VTX V25-II-CS or V25-CS cabinets (array geometry dependent) with no additional extension hardware needed.



Included:

- 1 x Columbus McKinnon (CM) Lever Hoist (1.5 ton rating) with 6 meters (20') of chain

Dimensions:



Model No.	Load Rating (Tons.)	Lift or Reach (Ft.)	Lever pull To Lift Rated Load (Lbs.)	Net Weight (Lbs.)	Dimensions (in.)										
					A	B	C	D	E	F	G	H	J	K	L
5318	1 1/2	20	51	40.2	14 13/16	1 1/8	1 1/4	13/16	16 1/4	4 3/4	2 3/8	2 3/8	6 7/8	33	15/16

Specifications:

VTX-V25-LH
Construction: Steel

Color: Orange

Dimensions (H x W x D): 430.2 mm x 174.6 mm x 120.7 mm
(16.9 in x 6.9 in x 4.75 in)

Net Weight: 18.2 kg (40.2 lbs)