

ROUGH IN WALL BRACKET INSTALLATION GUIDE

The function of this bracket is to fix the speaker location prior to the wallboard being installed. To best utilize this bracket follow simple steps below.

Step 1: Determine location of speaker. That location will dictate where the wings attach to the bracket, see Figure 1.

In some applications you may need to use the wire loop to fasten the bracket to framing support, see Figure 2.

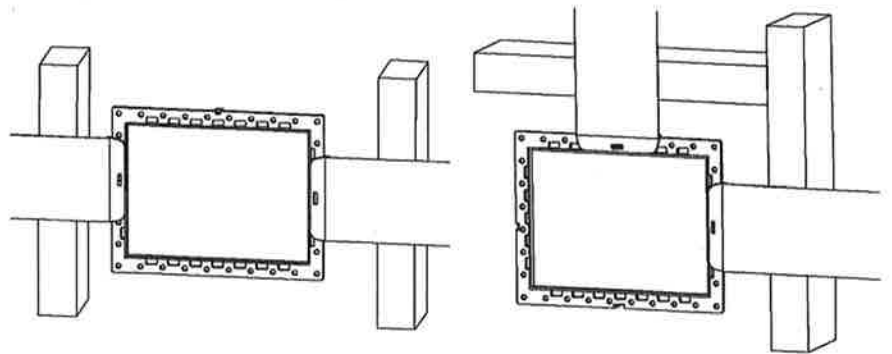


Figure 1

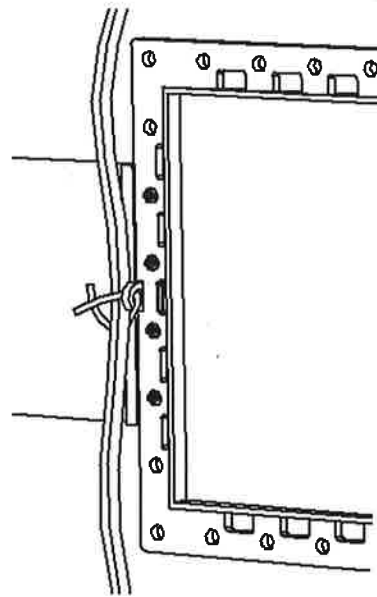
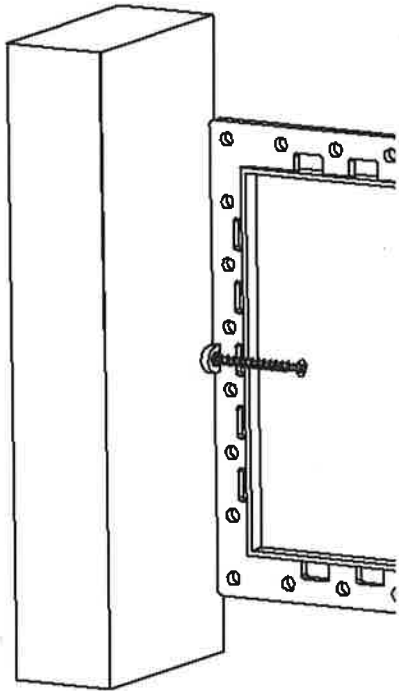


Figure 2

NOTE: If you need reposition the wings on the bracket, see Figure 3.

Step 2. When fastening the wings to the framing supports, be sure the screws/nails are flush with the surface so as not to bow the wallboard.

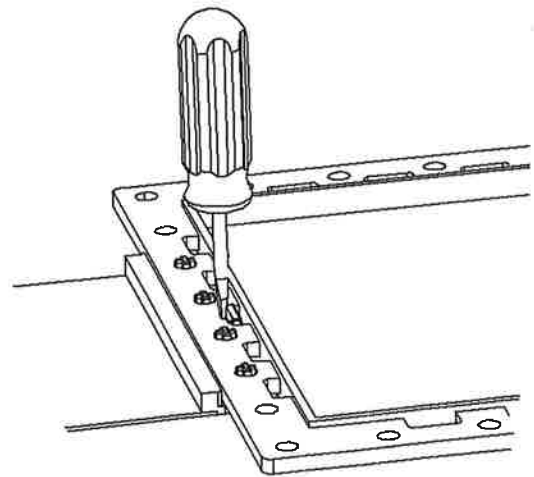


Figure 3

Harman Lifestyle Group, Inc.

© 2014. Harman International industries, Incorporated. All right reserved.
Part NO. TBD

H Harman International