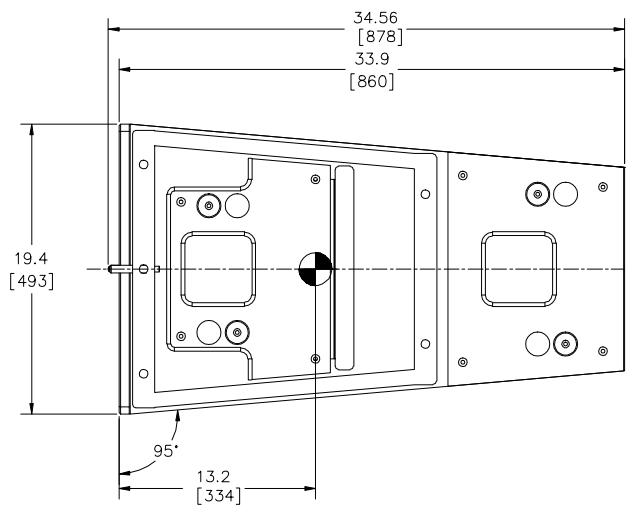
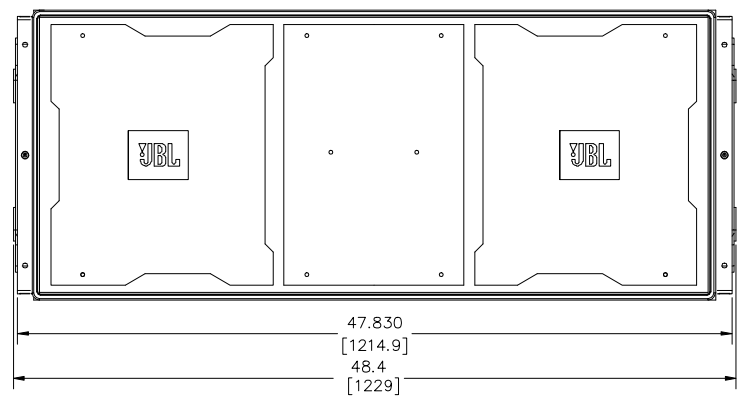
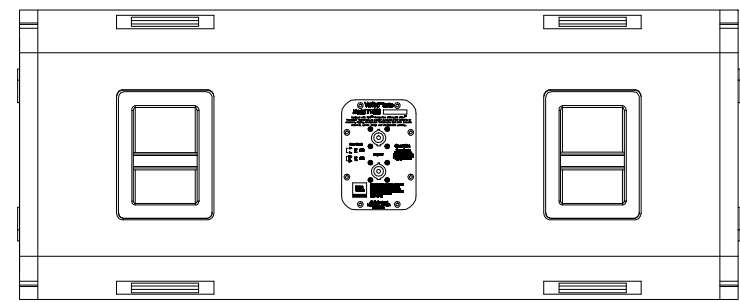
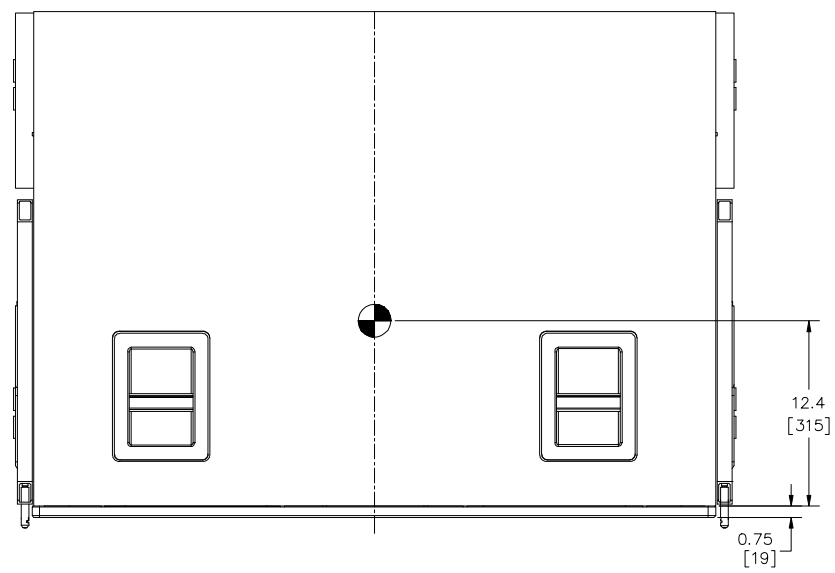


8 | 7 | 6 | 5 | 4 | 3 | 2 | 1

THESE DRAWINGS AND SPECIFICATIONS ARE THE PROPERTY OF JBL INCORPORATED THEY ARE ISSUED IN STRICT CONFIDENCE AND SHALL NOT BE REPRODUCED, COPIED, OR USED AS THE BASIS FOR MANUFACTURING OR SALE OF APPARATUS WITHOUT WRITTEN PERMISSION.

ALL MATERIAL SPECIFIED ON THIS DRAWING SHALL COMPLY WITH EUROPEAN DIRECTIVE 2002/95/EC. **RoHS**

REVISIONS						
CHG	LTR	DESCRIPTION	DRFT	CHK	DATE	APPR
36232	A	RELEASE FOR MARKETING				



- COMPONENTS: LF - 2X 2258HPL
- INPUT/OUTPUT CONNECTORS: 2X SPEAKON NL-4 (ELECTRICALLY IN PARALLEL).
- GRILLE 16GA PERFORATED CRS, POWDERCOATED BLACK, BLACK FOAM BACKING.
- MATERIALS: 18MM BIRCH PLYWOOD AND 18MM LITE-PLY.
- FINISH: BLACK DURAFLEX.
- SUSPENSION SYSTEM: JBL PROPRIETARY HINGE BARS, BALL LOCK PINS AND RIGGING FRAMES.
- WEIGHT: 71 KG (157 LBS)
- CENTER OF GRAVITY (CG)

NOTES: (UNLESS OTHERWISE SPECIFIED)

TOLERANCES (UNLESS OTHERWISE SPECIFIED) X.XXX ± 0.031 INCH X.XX ± 0.062 INCH X.X ± 0.125 INCH ANGULAR ± 30°		JBL JBL Professional A Harman International Company Northridge, California 91329, U.S.A.	
TITLE: CUSTOMER DWG - VT4880			
REV: D	DRAWING NO: 365262	REV: A	SCALE: 1:4
SHEET 1 OF 1		DO NOT SCALE DRAWING	

8 | 7 | 6 | 5 | 4 | 3 | 2 | 1