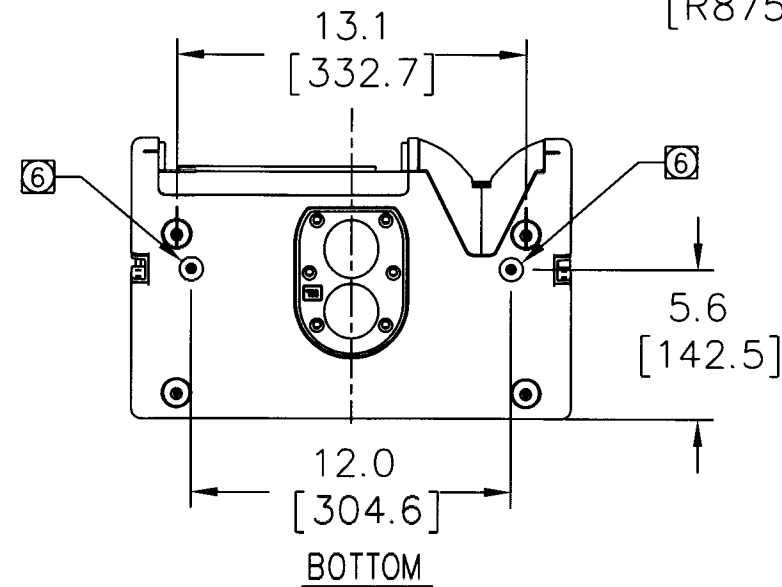
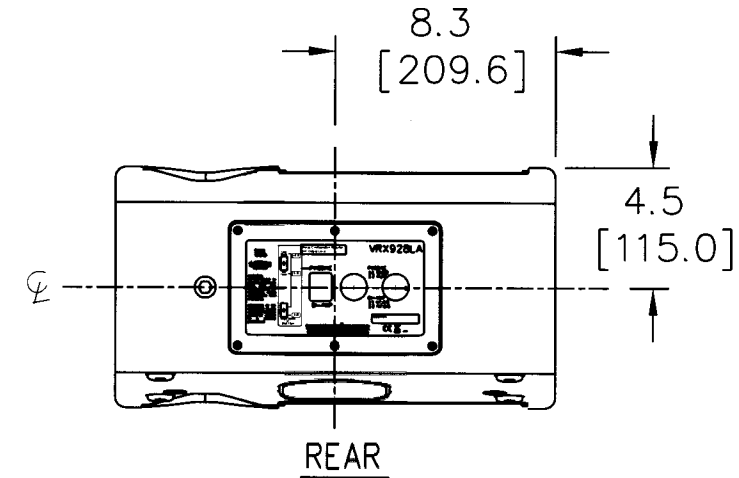
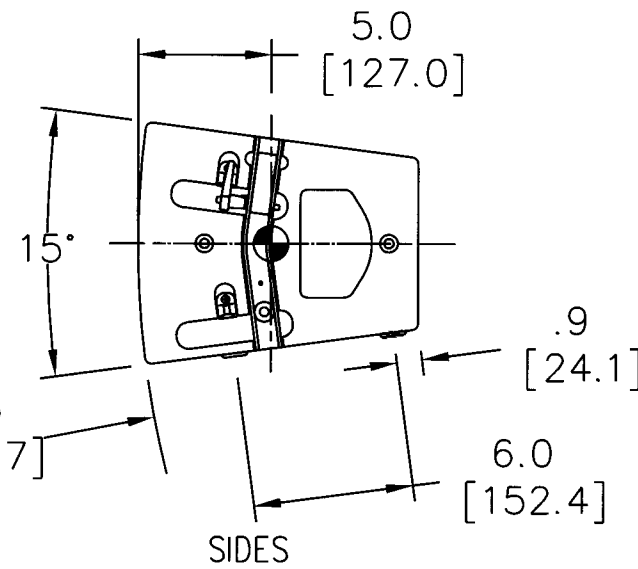
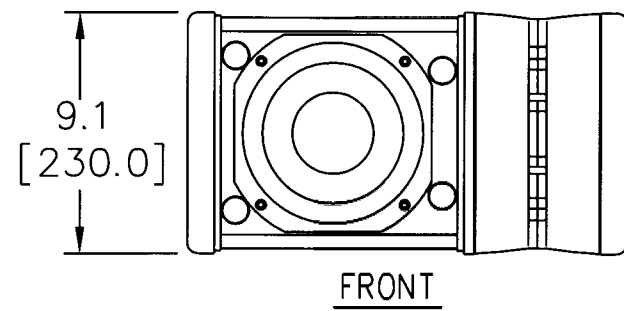
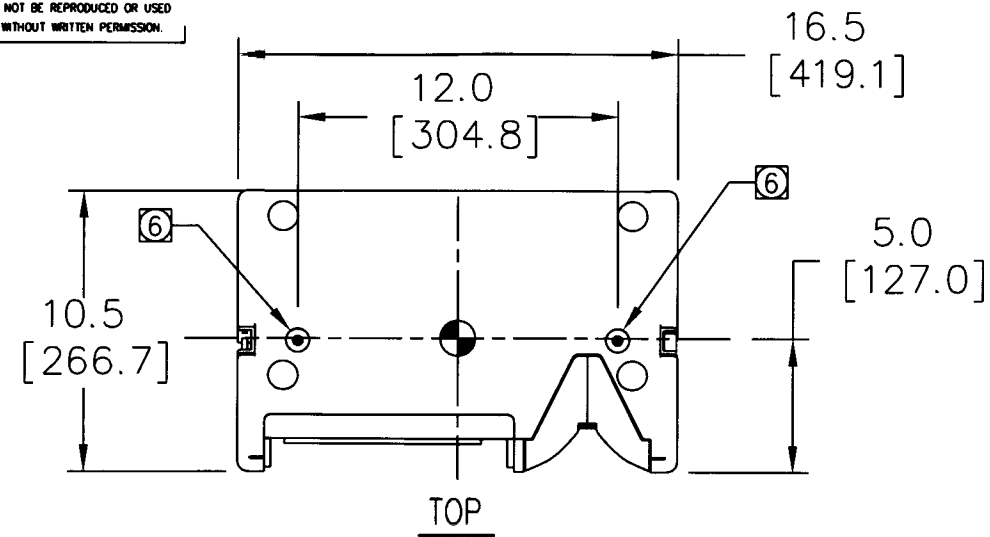


THESE DRAWINGS AND SPECIFICATIONS ARE THE PROPERTY OF JBL INCORPORATED. THEY ARE ISSUED IN STRICT CONFIDENCE AND SHALL NOT BE REPRODUCED OR USED AS THE BASIS FOR MANUFACTURE OR APPARATUS WITHOUT WRITTEN PERMISSION.

REVISIONS						
CHG	LTR	DESCRIPTION	DRFT	D.C.	DATE	APPR
33098	A	RELEASE TO MARKETING	TH			
33476	B	REVISE WEIGHT	TH		1/6/07	BJL



- COMPONENTS: LF - 1X 2168H1; HF - 2X 2414H.
- INPUT CONNECTORS: NL4 SPEAKON WITH LOOP THRU. CONFIGURATION: BI-AMP/PASSIVE SWITCHABLE BY EXTERNAL SLIDE SWITCH. HF LEVEL ADJUSTMENT +3/0/-3 dB BY EXTERNAL SLIDE SWITCH.
- GRILL: 16 GA. PERFORATED CRS, POWDER COATED BLACK, WITH BLACK FOAM BACKING.
- MATERIALS: 16MM (5/8") FINNISH BIRCH PLYWOOD.
- FINISH: BLACK DURAFLEX (WHITE AVAILABLE)
- SUSPENSION POINTS: M10 THREADED SUSPENSION POINT 2X TOP, 2X BOTTOM.
- POLE MOUNT 35mm (1-3/8") FEMALE SOCKET, 0° AND 15° AIMING ANGLES.
- WHITE (-WH) MODEL DOES NOT INCLUDE HANDLE OR POLE MOUNT.
- RIGGING SYSTEM: INTEGRATED RIGGING HARDWARE TO CONNECT MULTIPLE VRX928 ENCLOSURES, VRX915S SUBWOOFERS AND ACCESSORY ARRAY FRAME.
- YOKE MOUNT: 4X M8 SCREW POINTS FOR JBL ACCESSORY YOKE MOUNT.
- WEIGHT: 12.7 Kg (28 LBS).
- CENTER OF GRAVITY (CG)

NOTES: (UNLESS OTHERWISE SPECIFIED)

TOLERANCES
(UNLESS OTHERWISE SPECIFIED)
X.XX ± .063 INCH
X.X ± .125 INCH
ANGULAR TOLERANCE OF 0°±30'
FRACTIONAL DIMENSIONS ± 1/32
• DIMENSIONS ARE INCHES
• ALL DIMENSIONS ARE FINISHED DIMENSIONS
• DO NOT SCALE DRAWING

JBL PROFESSIONAL A Harman International Company Northridge, California 91329 U.S.A.		
TITLE CUSTOMER DRAWING: VRX928LA		
SIZE A	DRAWING NO. 363896	REV B
SCALE NTS	SHEET 1 OF 1	

4

3

2

1